

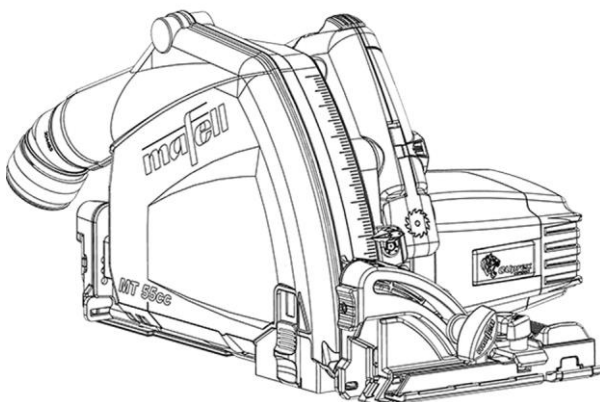
IMPORTANT
Read Before Using

IMPORTANT
Lire avant usage

IMPORTANTE
Leer antes de usar



Operating/Safety Instructions
Consignes d'utilisation/de sécurité
Instrucciones de funcionamiento y seguridad



For English Version
See page 2

Version française
Voir page 30




Versión en español
Ver la página 58

Table of contents

1	Signs and symbols	3
1.1	Identification of the device	5
2	Product specifications	5
2.1	Technical data	5
2.2	Scope of delivery	6
2.3	Adjustment elements	6
3	General safety	7
3.1	Intended use	7
3.2	Foreseeable misuse	7
3.3	Safety instructions	8
3.4	Specific safety rules	9
3.5	Safety devices	12
3.6	Residual risks	13
4	Setup / adjustment	13
4.1	Mains connection	13
4.2	Routing of the connecting cable	13
4.3	Chip extraction	14
4.4	Saw blade selection	15
4.5	Changing the saw blade	15
5	Operation	18
5.1	Startup	18
5.2	Switching on	18
5.3	Rotational speed setting	18
5.4	Switching off	19
5.5	Cutting depth setting	20
5.6	Setting for bevel cuts	21
5.7	Plunge cuts	22
5.8	Sawing along markings	23
5.9	Sawing with the parallel guide fence	23
5.10	Working with special accessories	24
6	Service and maintenance	27
6.1	Storage	27
7	Troubleshooting	27
8	Optional accessories	29
9	Exploded view and spare parts list	29






1 Signs and symbols

These operating instructions contain the following general information signs to guide you, the reader, through the operating instructions and to provide you with important information.

Sign	Meaning
	Important information This sign highlights user tips and other useful information.
	Identifies an intermediate result in a sequence of actions.
	Identifies the final result of a sequence of actions.





Tab. 1: General signs and their meanings

Warning icons warn of dangerous points, risks and obstacles.

Icon	Meaning
	Warning This icon can be found at all locations where you can find information regarding your safety. Non-observance can result in extremely serious injuries.
	Warns of danger of electric shock.
	Warns of danger caused by dust.
	Warns of the danger of cutting.
	Warns of the danger of cutting off or severing limbs.

Tab. 2: Warning icons and their meanings




Mandatory icons are intended to prevent accidents.

Icon	Meaning
	Wear eye protection.
	Wear dust mask.
	Wear hearing protection.
	Wear protective gloves.

Tab. 3: Mandatory icons and their meanings

During the operation of the power tool there are always actions to be taken where hazards can occur. These potentially dangerous actions are preceded by warnings which must be observed.






Classification of the danger level (signal words) of warnings

Warning	Meaning and consequences of non-observance
 Danger	Imminent danger that will cause serious or fatal injuries.
 Warning	Potentially dangerous situation that can cause serious or fatal injuries.
 Caution	Potentially dangerous situation that can cause minor injuries.

Tab. 4: Structure of warnings

1.1 Identification of the device

The icons listed and explained below can be found on the rating plate or on the product.

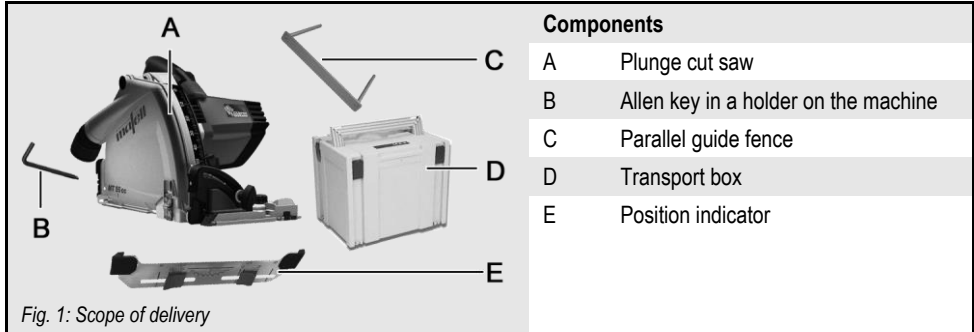
Symbol	Explanation	Symbol	Explanation
V	Volt	1, 2, 3, ... I, II, III, ...	Rotational speed setting
A	Ampere	rpm	Revolutions per minute
Hz	Hertz	∅	Saw blade diameter
W	Watt	~	Alternating current
kg	Kilogram (weight)		Protection class II
min	Minutes (time)		Read operating instructions
s	Seconds (time)		Protective goggles
n ₀	Rated speed at no load		Hearing protection
n	Rated speed at normal load		Dust mask

2 Product specifications

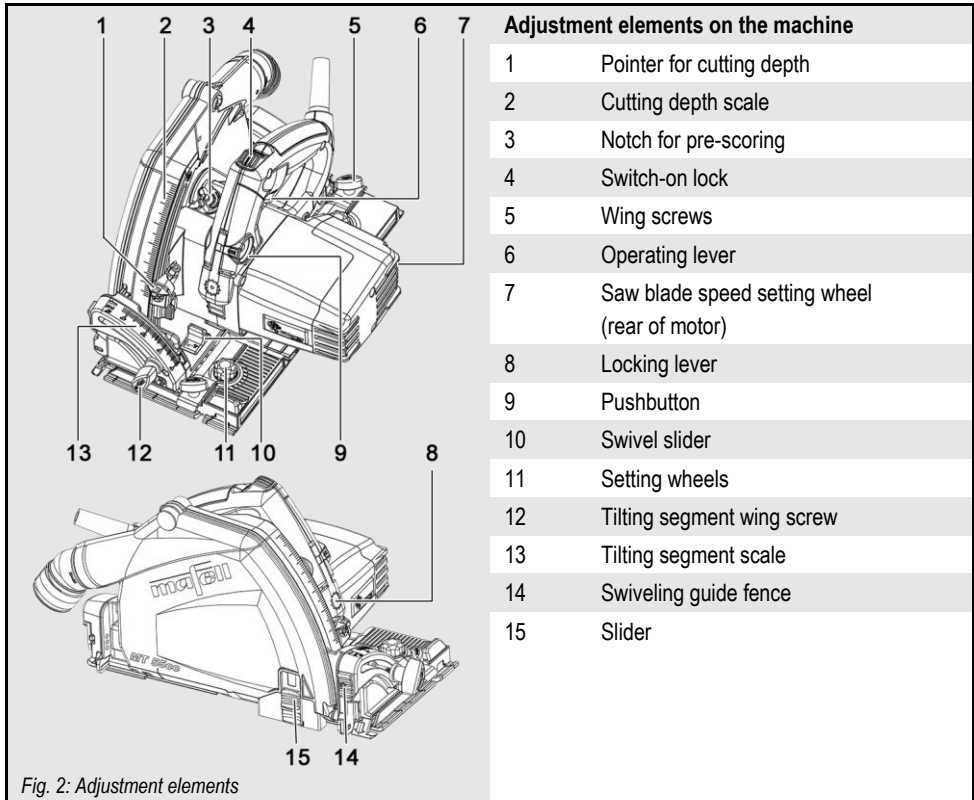
2.1 Technical data

Universal motor	120 V~, 60 Hz
Current at normal load	13.5 A
Saw blade speed at no load	2600 to 6200 rpm
Saw blade speed at normal load	2600 to 6200 rpm
Cutting depth	0°: 0 - 57 mm [0 - 2.24 in] 30°: 0 to 46 mm [0 to 1.81 in] 45°: 0 - 35 mm [0 - 1.38 in]
Swiveling saw unit	-1° / 0° - 48°
Saw blade diameter max/min	162/149 mm [6.38/5.87 in]
Saw blade base body thickness	1.2 mm [0.05 in]
Tool cutting width	1.8 mm [0.07 in]
Saw blade mounting hole	20 mm [0.8 in]
Hose connector diameter	35 mm [1.4 in]
Weight without power cord, without parallel guide fence	4.5 kg [9.92 lbs]
Dimensions (width x length x height)	228 x 365 x 220 mm [8.98 x 14.37 x 8.66 in]

2.2 Scope of delivery



2.3 Adjustment elements



3 General safety

Warning

Please read all safety instructions and directions. Failure to comply with the safety instructions and directions can cause electric shock, fire and/or serious injuries. **Please retain all safety instructions and directions for future reference.**

3.1 Intended use

The hand-held circular saw is only suitable for ripping and cross cutting of solid wood.

Panel material such as chip board, core board and medium density fiber board can also be processed.

Processing wood fiber insulation materials is also possible.

Use only saw blades that are approved by the manufacturer.

Using the diamond saw blade allows you to cut fiber cement board as well.

3.2 Foreseeable misuse

The machine is not intended for any other use than the intended use listed above.

The manufacturer is not liable for any damage resulting from such other use.

To use the machine as intended, comply with the operating, maintenance and repair conditions specified by MAFELL.

Foreseeable misuse also includes:

- Tampering with, removing and/or bypassing safety devices of any kind.
- Operating the machine without safety devices.
- Non-observance of safety and warning instructions in the operating instructions.
- Removing the safety and warning labels from the machine.
- Operating the machine by unauthorized persons.
- Failure to follow prescribed maintenance and care instructions.

Never use:


- Cracked and/or deformed saw blades.
- Saw blades made of high speed steel (HSS saw blades).
- Blunt saw blades as they impose an excessive load on the motor.
- Saw blades that are not suitable for the no-load speed of the saw blade.

3.3 Safety instructions

READ ALL INSTRUCTIONS!

Non-observance of the instructions listed below can cause electric shock, fire and/or serious injuries

Work area

- Children and adolescents are not allowed to operate this machine.
- When using the machine outdoors, the use of an earth leakage circuit breaker is recommended.
- Replace damaged cables or plugs immediately. To avoid safety hazards, only MAFELL or an authorized MAFELL service workshop is allowed to replace parts.
- Prevent sharp kinks of the cable. Do not wrap the cable around the machine, especially when transporting and storing the machine.
- Do not use this machine when you are tired, or under the influence of drugs, alcohol or medicaments. Be aware of what you are doing. Stay alert and use common sense.
- Keep children and bystanders at a distance while you are operating the machine. Distractions can cause you to lose control of the machine.
-  Use eye protection, dust mask and hearing protection. Appropriate safety equipment, used under proper conditions, will reduce the risk of injuries.

Instructions for service and maintenance:

- Cleaning the machine regularly, especially the adjustment elements and the guiding devices, is an important safety factor.
- Ensure that only genuine MAFELL spare parts and accessories are used. Failure to do so will make warranty claims and the liability of the manufacturer null and void.
- **Prepare a periodic maintenance schedule for your machine. When you clean the machine, be careful not to disassemble any part of the machine. Reassembling the machine bears the risk that internal wires are routed incorrectly or pinched, or that return springs of the safety device are mounted incorrectly.** Certain cleaning agents, such as gasoline, carbon tetrachloride, ammonia, etc. can damage plastic parts.
- **Some of the dust produced by sawing, sanding, drilling and other building work contains chemicals known to cause cancer, birth defects or other reproductive harm. Some examples of these chemicals are:**
 - Lead from lead-based paints,
 - Crystalline silica from bricks and cement and other masonry products,
 - Arsenic and chromium from chemically treated wood.

Your risk from this hazard varies with the frequency at which you perform this type of work. To reduce your exposure to these chemicals: Work in a well-ventilated area. Work only with approved safety equipment, such as dust masks that are specially designed to filter out particles of microscopic size.

3.4 Specific safety rules

Sawing method

- **Keep your hands away from cutting area and saw blade. Hold the auxiliary handle or the motor housing with your second hand.** If both hands hold the saw, they cannot be injured by the saw blade.

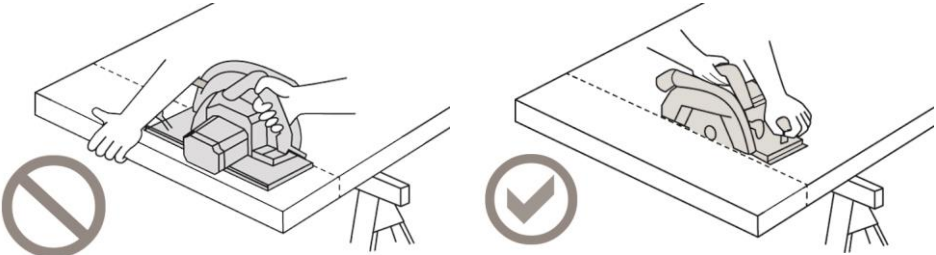


Fig. 3: Incorrect sawing vs. correct sawing

- **Do not reach underneath the workpiece.** Below the workpiece, the guard cannot protect you from the saw blade.
- **Adjust the cutting depth to the thickness of the workpiece.** Less than a full tooth height should be visible below the workpiece.
- **Never hold the workpiece in your hands or across your leg while you are cutting it. Secure the workpiece on a stable support.** It is important to secure the workpiece safely. This minimizes the risk of body contact, jamming of the saw blade or loss of control over the machine.
- **Hold the machine by the insulated grip surfaces when you perform work that involves a risk of the cutting tool hitting hidden power lines or its own power cord.** Contact with a live line also energizes the metallic parts of the machine, causing an electric shock.
- **Always use a fence or straight edge guide for ripping.** This improves the cutting accuracy and reduces the possibility of the saw blade jamming.
- **Always use saw blades of the correct size and with a suitable arbor hole (e.g. diamond-shaped or round).** Saw blades that do not match the mounting parts of the saw will run out of true, resulting in a loss of control.
- **Never use damaged or wrong saw blade washers or bolts.** The saw blade washers and bolts are designed specifically for your saw, for optimal performance and operational safety.

Kickback - causes and related safety instructions

- Kickback is the sudden reaction resulting from a pinched, jammed, or misaligned saw blade that causes an uncontrolled saw to lift off and move out of the workpiece toward the operator.
- If the saw blade is pinched or jammed in the closing kerf, it will stall and the motor power will kick the saw back toward the operator.
- If the saw blade is twisted or misaligned in the saw cut, the teeth of the rear edge of the saw blade can get pinched in the wood surface, causing the saw blade to move out of the kerf and the saw to jump back toward the operator.

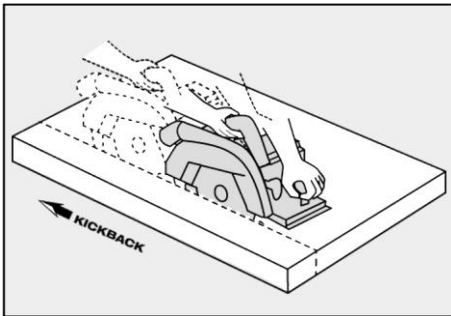


Fig. 4: Kickback of the machine

Kickback is the result of incorrect or improper use of the saw. It can be prevented by taking appropriate precautions, as described below.

- **Hold the saw firmly with both hands. Position your arms such that you can withstand kickback forces. Be sure that you are always positioned such that the saw blade is at the side of your body, never in line with it.** In the event of a kickback, the circular saw can jump backward. However, the operator can take appropriate precautions to control the kickback forces.
- **If the saw blade jams or when you stop working, switch off the saw and hold it steady in the material until the saw blade is stopped. Never try to remove the saw from the workpiece or pull it backwards as long as the saw blade is moving. This can cause a kickback.** Determine and eliminate the cause of jamming of the saw blade.
- **To restart a saw that sits in the workpiece, center the saw blade in the kerf and ensure that the saw teeth are not jammed in the workpiece.** A jammed saw blade can move out of the workpiece or cause a kickback when the saw is restarted.

- **Support large panels to reduce the risk of a kickback from a jammed saw blade.** Large panels tend to sag under their own weight. Panels must be supported on both sides: near the kerf and at the edge.

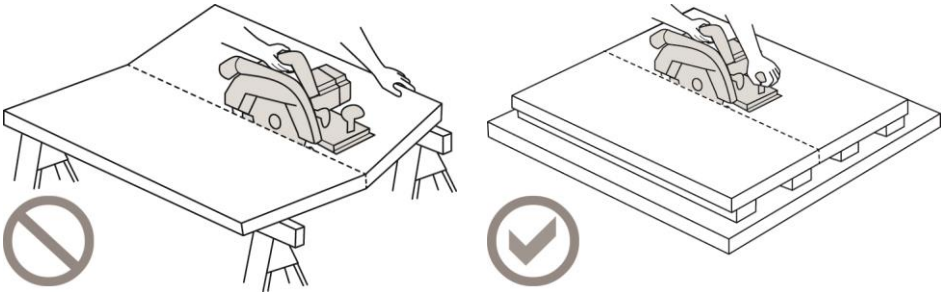


Fig. 5: Incorrect support vs. correct support



- **Never use blunt or damaged saw blades.** The kerf produced by a saw blade with blunt or incorrectly aligned teeth is too narrow, causing increased friction, jamming of the saw blade and kickback.
- **Prior to starting sawing, tighten the cutting depth and cutting angle settings.** If the settings change during the sawing process, there is a risk of a jamming saw blade and kickback.
- **Be particularly careful when sawing into existing walls or other concealed areas.** The saw blade can jam and cause kickback when cutting into hidden objects.

Function of the guard

- **Before each use, check to ensure that the saw blade can be moved downward out of the protective hood after the switch-on lock has been actuated, and that it returns to its fully retracted position and engages there when the load is released.** The guard can be bent if the saw drops to the ground. Ensure that the saw blade moves freely and does not get in contact with the guard or other parts at all cutting angles and cutting depths.
- **Check the function of the spring for the guard. Have the saw serviced before use if guard and/or spring do not function properly.** Damaged parts, sticky deposits or accumulations of chips delay the operation of the guard.
- **Never put the saw down on the workbench or the ground when the saw blade is not fully retracted into the guard.** An unprotected coasting saw blade will move the saw in the opposite direction of the cut and cut whatever is in its path. Be aware of the coasting time of the saw blade.

RETAIN THESE INSTRUCTIONS!

3.5 Safety devices



 Danger	
	<p>Risk of injury from missing safety devices</p> <p>These devices are necessary for the safe operation of the machine. They must not be removed or rendered ineffective.</p> <ul style="list-style-type: none"> ➤ Check the proper functioning of the safety devices before you start operating the machine. ➤ Never use the machine with missing or ineffective safety devices.

The machine is equipped with the following safety devices:

Safety device	Type of check
Fixed guard	Visual check for damage Functional check (pushing the saw blade out to full cutting depth and jerk-free abrupt return to the upper end position and engaging in this position).
Large base plate	Visual check for damage and deformation
Handles	Visual check for damage
Switching device and brake	Functional check (braking time must not be longer than 7 seconds)
Hose connector	Visual check for damage and obstruction

If the safety devices are damaged or not functioning properly, follow the instructions in the chapter Troubleshooting. For other malfunctions, please contact your dealer or MAFELL Customer Service directly.

3.6 Residual risks

 Warning	
	<p>Risk of injury when working with the machine</p> <p>Even when the machine is used as intended and in compliance with the safety regulations, there are still residual risks caused by the intended use, which can have consequences for your health.</p> <ul style="list-style-type: none"> ➤ Observe the safety instructions and information in these instructions. ➤ Always be extremely careful and cautious when you work with the machine.

The existing residual risks include:



- Contact with the saw blade in the area of the start-up opening below the base plate.
- Contact with the part of the saw blade that protrudes below the workpiece during the cutting process.
- Contact with rotating parts from the side: Saw blade, clamping flange and flange bolt.
- Kickback of the machine when jammed in the workpiece.
- Breakage and ejection of the saw blade or parts of the saw blade.
- Impaired hearing when working without hearing protection for long periods of time.
- Emission of harmful wood dusts during longer operation without extraction.

4 Setup / adjustment

4.1 Mains connection

Prior to starting up the machine, check to ensure that the mains voltage corresponds to the operating voltage specified on the rating plate of the machine.

4.2 Routing of the connecting cable

 Warning	
	<p>Electric shock when cutting into the connecting cable</p> <p>The connecting cable can impair safety functions and work functions and get into contact with the cutting tool. Cutting into the connecting cable of the machine puts the metal parts of the machine under tension and causes an electric shock. There is a risk of injury for the user.</p> <ul style="list-style-type: none"> ➤ When working, pay attention to the way the connecting cable is routed. ➤ Never cut into the connecting cable of your machine.

Use the following procedure to route the connecting cable:

1. Route the connecting cable in the direction of the cable grommet, away from the machine.
 - For support, use the Velcro fastener on the hose connector.
2. Always keep the connecting cable as far away as possible from the tool.
 - ✓ Connecting cable routed.



Fig. 6: Routing the connecting cable

4.3 Chip extraction

⚠ Caution



Health hazards from wood dust

The dusts produced during work can be inhaled and can cause health damage.

- Harmful dust must be extracted with a HEPA 13 dust extractor.
- Wear a dust mask during work.

For all work that produces a significant amount of dust, connect the machine to a suitable external extraction device. The air velocity must be at least 20 m/s [65 ft/sec].

The inner diameter of the hose connector is 35 mm [1.4 in].

4.4 Saw blade selection

To achieve good cutting quality, use a sharp tool and select a tool from the following list that is appropriate for material and application:

Cutting softwood and hardwood across and along the grain direction:

- Carbide circular saw blade Ø 160 x 1.8 x 20 mm, 32 teeth [Ø 6.30 x 0.07 x 0.79 in]

Cutting softwood and hardwood especially along the grain direction:

- Carbide circular saw blade Ø 160 x 1.8 x 20 mm, 16 teeth [Ø 6.30 x 0.07 x 0.79 in]

Cutting softwood and hardwood especially across the grain direction:

- Carbide circular saw blade Ø 162 x 1.8 x 20 mm, 48 teeth [Ø 6.38 x 0.07 x 0.79 in]

Cutting softwood and hardwood especially across the grain direction "fine cuts":

- Carbide circular saw blade Ø 160 x 1.8 x 20 mm, 56 teeth [Ø 6.30 x 0.07 x 0.79 in]

Cutting wood fiber insulation material:

- Carbide circular saw blade Ø 160 x 1.8 x 20 mm, 32 teeth [Ø 6.30 x 0.07 x 0.79 in]



Cutting plastic material (styrofoam):

- Carbide circular saw blade Ø 160 x 1.8 x 20 mm, 16 teeth [Ø 6.30 x 0.07 x 0.79 in]

Cutting fiber cement board:

- Diamond saw blade Ø 160 x 3.0 x 20 mm, 4 teeth [Ø 6.30 x 0.12 x 0.79 in]

4.5 Changing the saw blade

⚠ Caution	
 	<p>Risk of injury from the sharp saw blade</p> <p>The saw blade is sharp. You can hurt yourself when you change the saw blade.</p> <ul style="list-style-type: none"> ➤ Wear protective gloves when you change the saw blade. ➤ Be careful when you change the saw blade.

Use the following procedure to change the saw blade:

1. Pull out the power plug of the machine.
2. Put down the cable where you can see it.
3. Put the disconnected machine on a flat surface.
4. Press and hold the pushbutton (9).
5. Pull the locking lever (8) upwards.
 - The guard cover is unlocked and can be opened sideways. Saw shaft and operating lever are locked automatically.

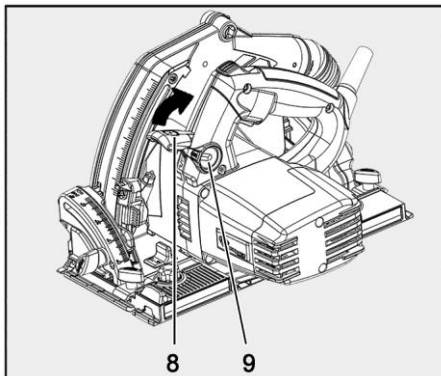


Fig. 7: Unlocking the guard cover

6. Open the guard cover sideways.

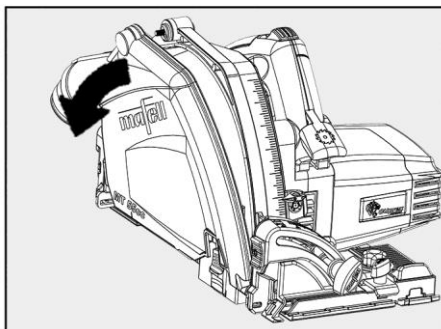


Fig. 8: Opening the guard cover

7. Using the Allen key (B), turn the flange screw (16) **counterclockwise** to loosen it.
8. Remove the flange screw (16) and the front clamping flange (17).
9. Remove the old saw blade.
 - Clamping flanges must be free of adhering parts!
 - The new saw blade can now be installed.

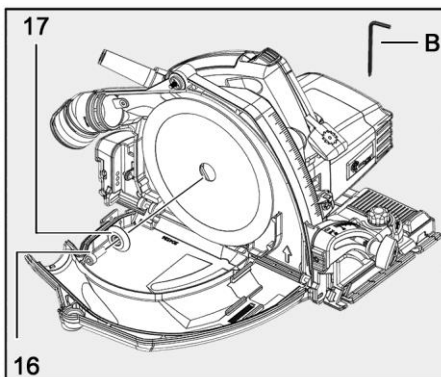


Fig. 9: Removing the old saw blade

10. Position the new saw blade (18) on the rear flange (20).
 - Ensure that the direction of rotation is correct when you install the saw blade. The saw teeth or the arrow on the saw blade (18) must point in the direction of the arrow (19) on the machine.
11. Fit clamping flange (17) and flange screw (16).
12. Using the Allen key (B), turn the flange screw (16) **clockwise** to tighten it.
 - The saw blade is secured.

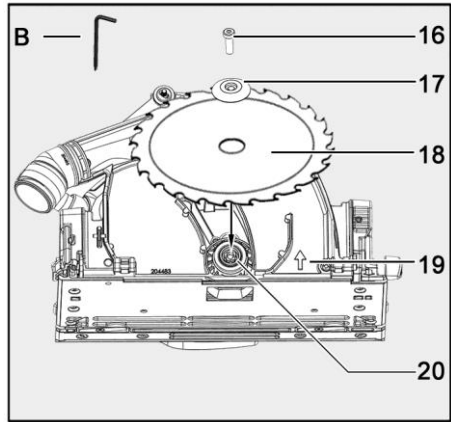


Fig. 10: Replacing the saw blade

13. Close the guard cover.
14. To do this, press the locking lever (8) down.
 - The mechanism that locks the saw shaft is activated.
 - The operating lever is unlocked.
 - ✓ The saw blade is changed.

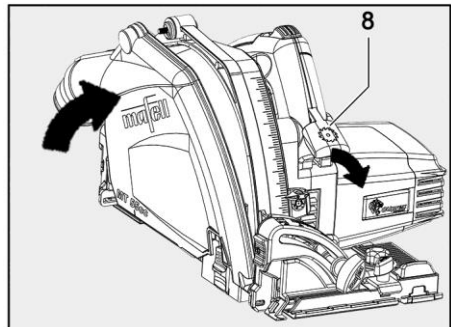


Fig. 11: Closing the guard cover

5 Operation

5.1 Startup

Warning

These operating instructions must be brought to the attention of all persons entrusted with the operation of the machine, with particular emphasis on the chapter "Safety instructions".

5.2 Switching on

Use the following procedure to switch on the machine:

1. Press the switch-on lock (4) forward to unlock.
2. With the switch-on lock depressed, actuate and hold the operating lever (6).
3. Release the switch-on lock (4).
 - ✓ The machine is switched on

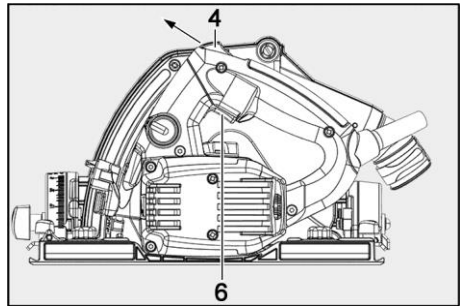


Fig. 12: Switching the machine on



Since the switch is not latching, the machine runs only as long as the operating lever is pressed.

5.3 Rotational speed setting

Use the following procedure to select the rotational speed:

1. Select the desired level at the setting wheel (7).
 - At the setting wheel (7), you can adjust the saw blade speed continuously between 3600 and 6200 rpm.
 - ✓ The rotational speed is set.

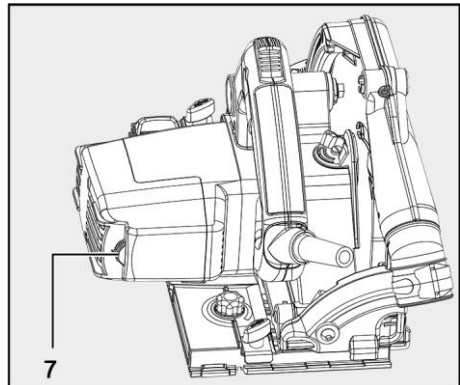


Fig. 13: Selecting the rotational speed at the setting wheel

The table below shows the saw blade speed settings that are suitable for your application:

Material	Level	Rotational speed rpm
Plastic material (styrofoam)	1	3600
Plastic material (styrofoam)	2	4100
Hardwood, softwood, laminated wood, wood fiber insulation material, fiber cement board	3	4700
Hardwood, softwood, laminated wood, coated panel material, fiber cement board	4	5200
Hardwood, softwood, laminated wood, coated panel material, fiber cement board	5	5700
Hardwood, softwood, laminated wood, coated panel material, soft fiber	6	6200

5.4 Switching off

Use the following procedure to switch off the machine:

1. Release the operating lever (6).
 - The integrated automatic brake limits the coasting time of the saw blade to approx. 5 seconds.
 - The switch-on lock is activated automatically and secures the hand-held circular saw against being switched on inadvertently.
 - ✓ The machine is switched off.

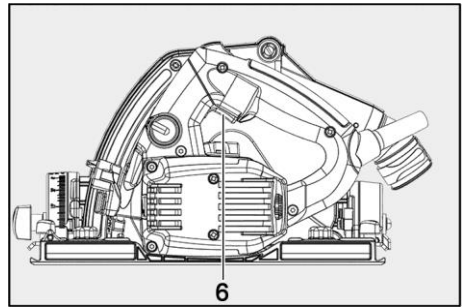


Fig. 14: Switching the machine off



As soon as the braking time exceeds 7 seconds, have the machine checked and a new brake pad installed.

5.5 Cutting depth setting

The cutting depth can be set continuously in a range between 0 and 57 mm [0 to 2.24 in].

Use the following procedure to set the cutting depth:

1. Rotate the pointer (1) depending on whether or not you are working with a guide rail (optional accessory).
 - Top position = with guide rail
 - Bottom position = without guide rail

The cutting depth is reduced by 6 mm [0.24 in] when a guide rail is used.

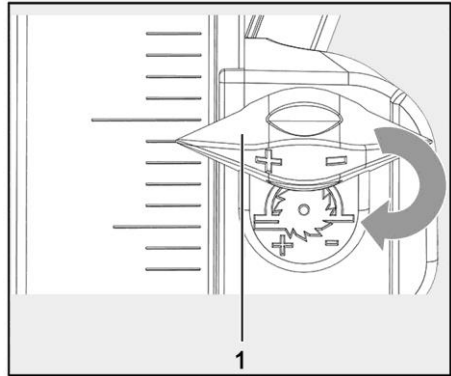


Fig. 15: Cutting depth pointer position

2. Use the pointer (1) to set the cutting depth.
 - The cutting depth is indicated on the scale (2) on the cover. The scale has a 1-mm graduation.
 - To readjust the cutting depth setting, you can use the Allen key (B) to turn the fillister head screw (21). One revolution corresponds to a cutting depth change of 1 mm [0.04 in].
 - ✓ The cutting depth is set.

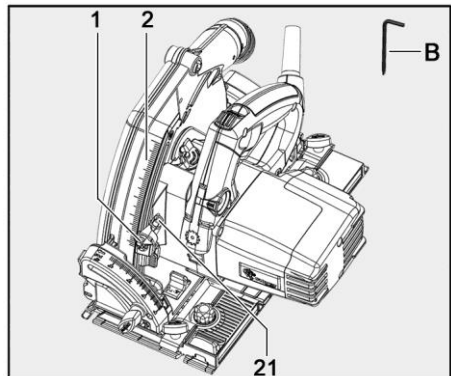


Fig. 16: Setting the cutting depth



For separating cuts, always set the cutting depth to approx. 2 ... 5 mm [0.08 ... 0.2 in] more than the material thickness you want to cut.

5.6 Setting for bevel cuts

For bevel cuts, the saw unit can be set to any angle from 0° to 45°.

Use the following procedure to set the saw unit for bevel cuts:

1. For tilting, put down and support the machine so that the saw unit can be tilted.
2. Loosen the wing screw (12).
3. Use the scale (13) on the tilting segment to set the angle.
4. Tighten the wing screw (12).
 - ✓ The saw unit is set to the desired angle for the bevel cut.

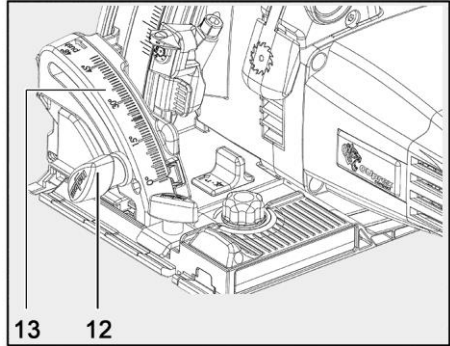


Fig. 17: Setting the saw unit for bevel cuts

In addition, the machine can be swiveled to -1° or 48°.

Use the following procedure to set the saw unit to -1°:

1. Pull the slider (10) backward in the direction of the arrow and hold it in place.
2. Set the machine to an angle of -1°.
 - ✓ The saw unit is set to -1°.

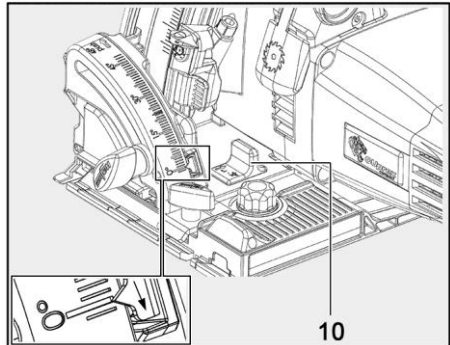


Fig. 18: Setting the saw unit to -1°

Use the following procedure to set the saw unit to 48°:

1. Press down the guide fence (14) on the side of the machine and hold it in place.
2. Set the machine to an angle of 48°.
 - ✓ The saw unit is set to 48°.

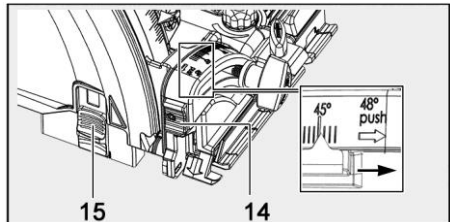


Fig. 19: Setting the saw unit to 48°

For any angle of bevel cutting, the slider (15) can be moved such that it rests on the workpiece, minimizing dust leakage during the sawing process.

5.7 Plunge cuts

Warning



Risk of kickback with plunge cuts!

With plunge cuts, there is a risk of kickback when the machine jams. This can cause serious injuries.

- Prior to plunging, position the machine such that the rear edge of the base plate is in contact with a stop that is fixed to the workpiece.
- While plunging in, hold the machine firmly by the handle and push the machine slightly forward!

Use the following procedure to perform plunge cuts:

1. Align the machine on the workpiece.
 - The markings (22) on the lower guard and on the slider serve as orientation for the cutting range of the saw blade when it is extended to the full cutting depth. For other cutting depths, use the MT-PA position indicator described in chapter 5.10.3 .
2. Switch on the plunge cut saw and plunge to the selected cutting depth.
3. Push the machine steadily forward in the cutting direction.
4. Switch off the machine at the end of the cut.
5. Return to the upper locked position.
 - ✓ The plunge cut is performed.

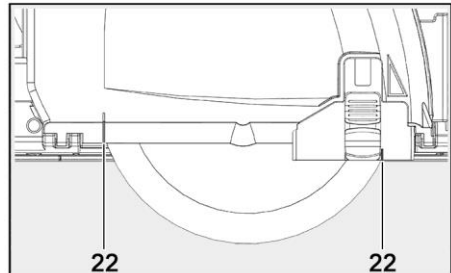


Fig. 20: Plunge cutting

5.8 Sawing along markings

The base plate is equipped with a movable tracing pointer, which automatically adjusts itself during bevel cuts. This tracing edge (23) corresponds to the inside (side facing the motor) of the saw blade.

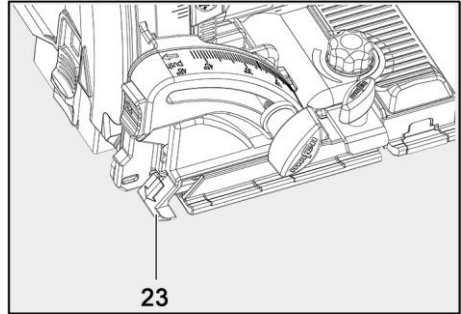


Fig. 21: Tracing edge

Use the following procedure to saw along markings:

1. Hold the machine by the handles and position it such that the front part of the base plate is on the workpiece.
2. Position the tracing edge (23) at the marking on the workpiece.
3. Switch on the machine.
4. Plunge to the selected cutting depth and advance the machine steadily in the cutting direction.
5. Ensure that the tracing edge (23) is guided along the marking.
6. Switch off the machine at the end of the cut.
7. Return to the upper locked position.
 - ✓ Sawing along markings terminated.

5.9 Sawing with the parallel guide fence

The parallel guide fence (C) is used for sawing in parallel to an existing edge. The guide fence can be mounted on the right (motor side) or the left (tool side) side of the machine. The possible adjustable distance is 190 to 320 mm [7.48 - 12.60 in] on the right side and 40 mm to 130 mm [1.57 - 5.12 in] on the left side.

To check the set width, use an additional measuring device (such as a meter stick) to set the parallel guide fence to the correct distance (edge of parallel guide fence to cutting line).

Use the following procedure to install the parallel guide fence:

1. Loosen the wing screws (5) on both sides.
2. Insert the parallel guide fence (C) into the guide provided for this purpose.
 - It can be mounted on the left or right side of the machine.
3. Tighten the wing screws (5) on both sides.
 - ✓ The parallel guide fence is installed.

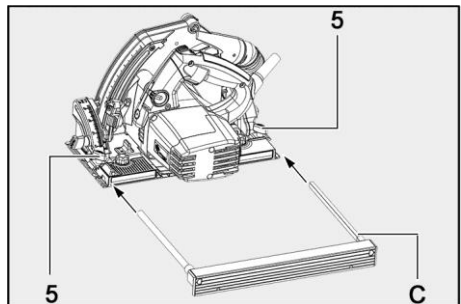


Fig. 22: Installing the parallel guide fence

Use the following procedure to adjust the cutting width:

1. Loosen the wing screws (5) on both sides.
2. Adjust the parallel guide fence.
3. Tighten the wing screws (5) on both sides.
 - ✓ The cutting width is adjusted.

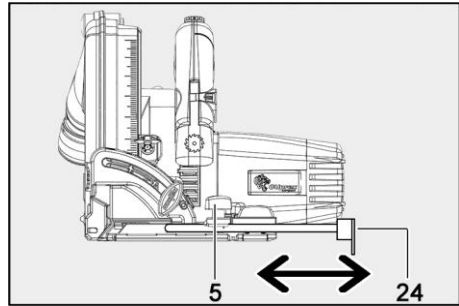


Fig. 23: Adjusting the cutting width via the parallel guide fence



In addition, the parallel guide fence can also be used as a double support for a better guidance of the hand-held circular saw. Simply turn it over (the guide tab (24) points upwards).

Alternatively, you can guide the machine with the parallel guide fence along a guide rail or a wooden ledge fixed on the workpiece. This requires the parallel guide fence to be rotated so that the guide tab (24) points upwards.

5.10 Working with special accessories

Various special accessories are available for the machine. An overview can be found in chapter 8 Optional accessories.

Some utilization methods are explained below.

5.10.1 Working with the guide rail



The plunge cut saw can be used with the guide rails that are available as special accessories.

Use the following procedure to set the guide with the rail:

1. Adjust the two setting wheels (11) such that the machine moves without play in the guide of the rail.
 - ✓ Guide adjusted.

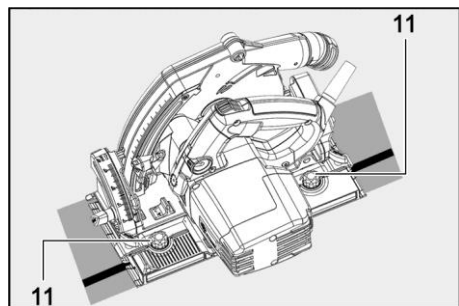


Fig. 24: Adjusting the guide play

In addition, some rails available on the market may also be used. To do this, remove the insert on the bottom of the machine.

Use the following procedure to remove the insert:

1. Loosen the screws (25) at the insert (26).
2. Pull out the insert (26).
 - The groove that appears now is used to set the machine on other guide rails.
 - ✓ Insert removed.

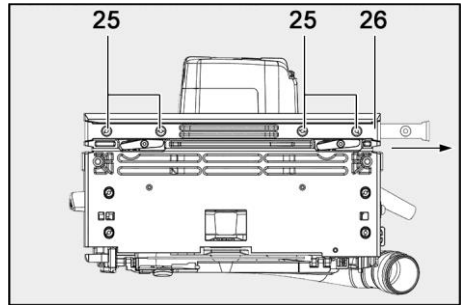


Fig. 25: Removing the insert for third-party rail

5.10.2 Pre-scoring with the guide rail



To avoid tearing the surface of panel materials, use the pre-scoring function of the machine when you work with guide rails. Here, the cutting depth is limited to 2.5 mm [0.1 in] and the saw blade is minimally offset from the cutting line.

Use the following procedure to use the pre-scoring function of the machine:

1. Secure a guide rail on the workpiece.
2. Position the machine with the guiding groove on the guide rail.
3. Rotate the notch for pre-scoring (3) clockwise until it hits the stop.
 - The pre-scoring depth is now set to 2.5 mm [0.1 in]

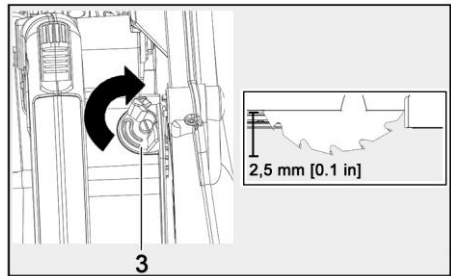


Fig. 26: Activating the pre-scoring function

4. Pre-score the plate.
5. Rotate the notch for pre-scoring (3) counterclockwise.
 - The workpiece can now be cut at the full cutting depth.
 - ✓ Pre-scoring function of the machine used

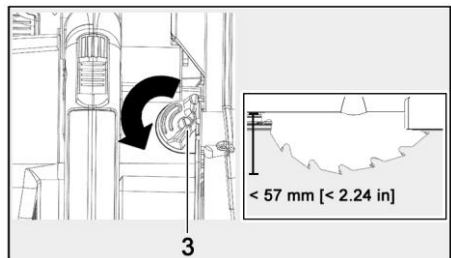


Fig. 27: Deactivating the pre-scoring function

5.10.3 Working with the position indicator

For plunge cuts with a fixed cutting depth of 50/25/12.5/10 mm [1.97/0.98/0.49/0.39 in], using the position indicator is recommended. This permits the exact cutting area of the plunge cut to be determined.

Use the following procedure to use the position indicator:

1. Clamp the position indicator into the holes provided for this purpose.
 - Use the two lower holes when you use a guide rail (see 1a).
 - Use the two upper holes without a guide rail (see 1b).

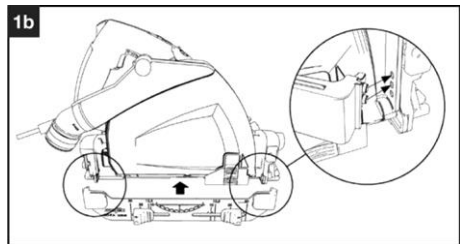
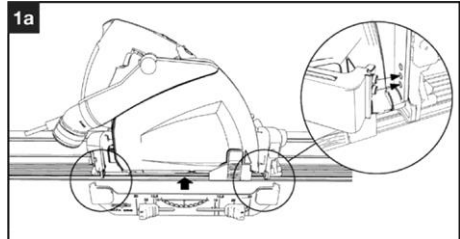


Fig. 28: Clamping the position indicator

2. Depending on the thickness of the panel you want to cut, set the cutting depth on the machine.
 - For this, see the information in chapter 5.5 Cutting depth setting.

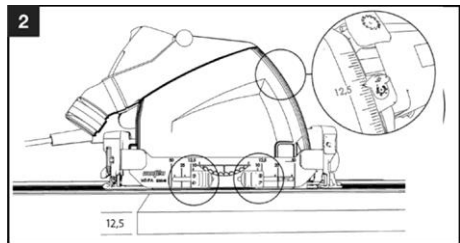


Fig. 29: Setting the cutting depth

3. Set one of the red sliders on the position indicator to the value of the cutting depth.
4. Set the slider on the other side to the same value.
 - The cutting area for the saw blade is between the two red sliders.
 - ✓ Position indicator used.

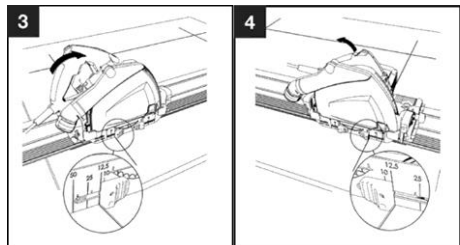


Fig. 30: Setting the position indicator to the cutting depth

5.10.4 Working with the diamond saw blade in fiber cement boards



The diamond saw blade was developed for fiber cement boards. The teeth fitted with diamonds are more fragile than the teeth of a carbide saw blade. Therefore, use a guide rail for work. (see chapter 5.10.1 Working with the guide rail)

6 Service and maintenance



MAFELL machines are of a low-maintenance design.

The installed ball bearings are lubricated for life. After a longer period of operation, MAFELL recommends that the machine be handed over to an authorized MAFELL service workshop for inspection.

6.1 Storage

Clean the machine thoroughly if you will not use it for quite some time. Spray bare metal parts with a rust inhibitor.

7 Troubleshooting

 Warning	
	<p>Risk of injury from a sudden start of the machine.</p> <p>There is a risk that the machine starts suddenly due to carelessness when working with the machine or during troubleshooting. The rotating saw blade can cause serious injuries.</p> <ul style="list-style-type: none"> ➤ Determining the causes of existing malfunctions and their elimination always require increased attention and caution! ➤ Pull out the mains plug before you start troubleshooting!

Some of the most common malfunctions and their causes are listed below. For other malfunctions, please contact your dealer or MAFELL Customer Service directly.

Malfunction	Cause	Elimination
Machine can not be switched on	Mains voltage missing or too low	Have the power supply checked by an electrician
	Mains fuse defective	Have fuse replaced by an electrician
	Carbon brushes worn out	Take the machine to the MAFELL customer service workshop
Machine stops during the cutting process	Mains failure	Have the mains back-up fuses checked by an electrician
	Machine overload	Reduce feed rate
	Carbon brushes worn out	Take the machine to the MAFELL customer service workshop

Malfunction	Cause	Elimination
Saw blade jams when pushing the machine forward	Feed rate too high	Reduce feed rate
	Blunt saw blade	Release switch at once. Remove the machine from the workpiece and replace the saw blade
	Tension in the workpiece	Increased caution when sawing, higher risk of kickback.
	Poor machine guidance (e.g. due to unsupported manual guidance)	Use parallel guide fence
	Uneven workpiece surface	Align surface
Saw blade vibrates in the workpiece	Saw blade not adjusted correctly	Retighten saw blade
	Workpiece not secured	Secure workpiece with clamps
Saw blade stops - motor continues rotating	Saw blade not properly secured	Retighten saw blade
Burn marks at the cut surfaces	Saw blade blunt or unsuitable for the operation	Replace saw blade
Chip ejector obstructed	Wood too damp	Clean chip ejector
	Long cutting operation without extraction	Connect the machine to an external extractor, such as a small dust extractor

8 Optional accessories

- | | |
|---|------------------|
| - Carbide saw blade Ø 160 x 1.8 x 20 mm, 16 teeth [Ø 6.30 x 0.07 x 0.79 in] (ripping) | Order no. 092539 |
| - Carbide saw blade Ø 160 x 1.8 x 20 mm, 32 teeth [Ø 6.30 x 0.07 x 0.79 in] (ripping and cross-cutting) | Order no. 092552 |
| - Carbide saw blade Ø 162 x 1.8 x 20 mm, 48 teeth [Ø 6.38 x 0.07 x 0.79 in](cross-cutting) | Order no. 092584 |
| - Carbide saw blade Ø 160 x 1.8 x 20 mm, 56 teeth [Ø 6.30 x 0.07 x 0.79 in] (fine cut) | Order no. 092553 |
| - Diamond saw blade Ø 160 x 3.0 x 20 mm, 4 teeth [Ø 6.30 x 0.12 x 0.79 in] (ripping) | Order no. 092474 |
| - Guide rail F80, 800 mm [31.5 in] long | Order no. 204380 |
| - Guide rail F110, 1100 mm [43.3 in] long | Order no. 204381 |
| - Guide rail F160, 1600 mm [63 in] long | Order no. 204365 |
| - Guide rail F210, 2100 mm [82.7 in] long | Order no. 204382 |
| - Guide rail F310, 3100 mm [122 in] long | Order no. 204383 |
| - Sliding bevel segment F-WA | Order no. 205357 |
| - Guide rail accessories: | |
| - Screw clamp F-SZ100MM (2x) | Order no. 205399 |
| - Connecting piece F-VS | Order no. 204363 |
| - Rail bag F160 | Order no. 204626 |
| - Rail bag set F80/160 with sliding bevel segment, consisting of: F80 + F160 + connecting piece + sliding bevel segment + 2 screw clamps + rail bag | Order no. 204749 |
| - Rail bag set F160/160, consisting of: 2 x F160 + connecting piece + 2 screw clamps + rail bag | Order no. 204805 |
| - Kickback stop F-RS | Order no. 202867 |
| - Position indicator MT-PA | Order no. 205398 |
| - Parallel guide fence | Order no. 203214 |

9 Exploded view and spare parts list




The corresponding information on the spare parts can be found on our homepage: www.mafell.com

Sommaire

1	Explication des pictogrammes.....	31
1.1	Identification de l'appareil.....	33
2	Données caractéristiques.....	33
2.1	Caractéristiques techniques.....	33
2.2	Équipement standard.....	34
2.3	Éléments de commande.....	34
3	Sécurité générale.....	35
3.1	Utilisation conforme.....	35
3.2	Utilisation non conforme prévisible.....	35
3.3	Consignes de sécurité.....	36
3.4	Consignes de sécurité spécifiques.....	37
3.5	Dispositifs de sécurité.....	40
3.6	Risques résiduels.....	41
4	Équipement / Réglage.....	41
4.1	Raccordement au réseau.....	41
4.2	Pose du câble de raccordement.....	41
4.3	Aspiration des copeaux.....	42
4.4	Choix de la lame.....	43
4.5	Changement de lame.....	43
5	Fonctionnement.....	46
5.1	Mise en service.....	46
5.2	Mise en marche.....	46
5.3	Réglage de la vitesse de rotation.....	46
5.4	Arrêt.....	47
5.5	Réglage de la profondeur de coupe.....	48
5.6	Réglage pour coupes biaisées.....	49
5.7	Coupes en plongée.....	50
5.8	Sciage d'après tracé.....	51
5.9	Sciage avec le guide parallèle.....	51
5.10	Travail avec des accessoires supplémentaires.....	52
6	Entretien et maintenance.....	55
6.1	Stockage.....	55
7	Élimination des défauts.....	55
8	Accessoires supplémentaires.....	57
9	Schéma éclaté et liste de pièces de rechange.....	57






1 Explication des pictogrammes

La présente notice d'emploi contient les pictogrammes d'information générale suivants, destinés à guider le lecteur et à lui fournir des informations importantes.

Pictogramme	Signification
	Information importante Ce symbole signale la présence de suggestions pour l'utilisation et autres informations utiles.
	Indique un résultat intermédiaire dans une suite d'actions.
	Indique le résultat final d'une suite d'actions.


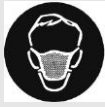


Tab. 5 : pictogrammes généraux et leur signification

Des mises en garde avertissent de la présence de zones dangereuses, risques et obstacles.

Pictogramme	Signification
	Mise en garde Ce pictogramme figure à chaque endroit indiquant des consignes relatives à votre sécurité. Leur non respect peut entraîner des blessures très graves.
	Met en garde contre les risques dus à une décharge électrique
	Met en garde contre les risques dus à la poussière.
	Met en garde contre des coupures.
	Met en garde contre le sectionnement de membres du corps.

Tab. 6: pictogrammes de mise en garde et leur signification




Les pictogrammes d'obligation servent à la prévention des accidents

Pictogramme	Signification
	Porter une protection oculaire.
	Porter un masque de protection contre les poussières.
	Porter une protection auditive.
	Porter des gants de protection.

Tab. 7: pictogrammes d'obligation et leur signification

Pendant l'exploitation de la machine, l'utilisateur doit toujours effectuer des actions pouvant constituer une source de risques. Ces actions présentant des risques sont précédées de mises en garde devant être impérativement respectées.






Classification des niveaux de danger (mots-clés) pour les mises en garde

Mise en garde	Signification et conséquences en cas de non-respect
	Danger imminent , entraînant de graves blessures corporelles pouvant avoir une issue mortelle .
	Situation potentiellement dangereuse, risquant d'entraîner de graves blessures corporelles pouvant avoir une issue mortelle .
	Situation potentiellement dangereuse, risquant d'entraîner de légères blessures corporelles .

Tab. 8: conception des mises en garde

1.1 Identification de l'appareil

Les pictogrammes ci-après indiqués et explicités peuvent se trouver sur la plaque de type ou le produit.

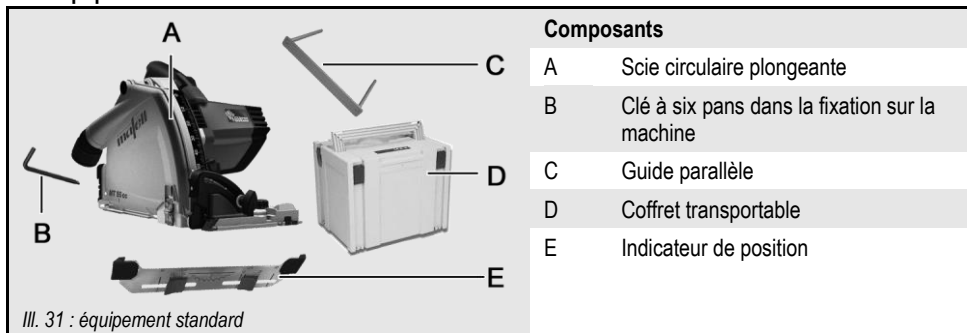
Pictogramme	Explication	Pictogramme	Explication
V	Volt	1, 2, 3, ... I, II, III, ...	Réglage de la vitesse de rotation
A	Ampère	min ⁻¹	Rotation par minute
Hz	Hertz	∅	Diamètre de la lame de scie
W	Watt	~	Courant alternatif
kg	Kilogramme (poids)		Classe de protection II
min	Minutes (temps)		Lire la notice d'emploi
s	Secondes (temps)		Lunettes de protection
n ₀	Régime nominal au ralenti		Protection auditive
n	Régime nominal en charge normale		Masque anti-poussière

2 Données caractéristiques

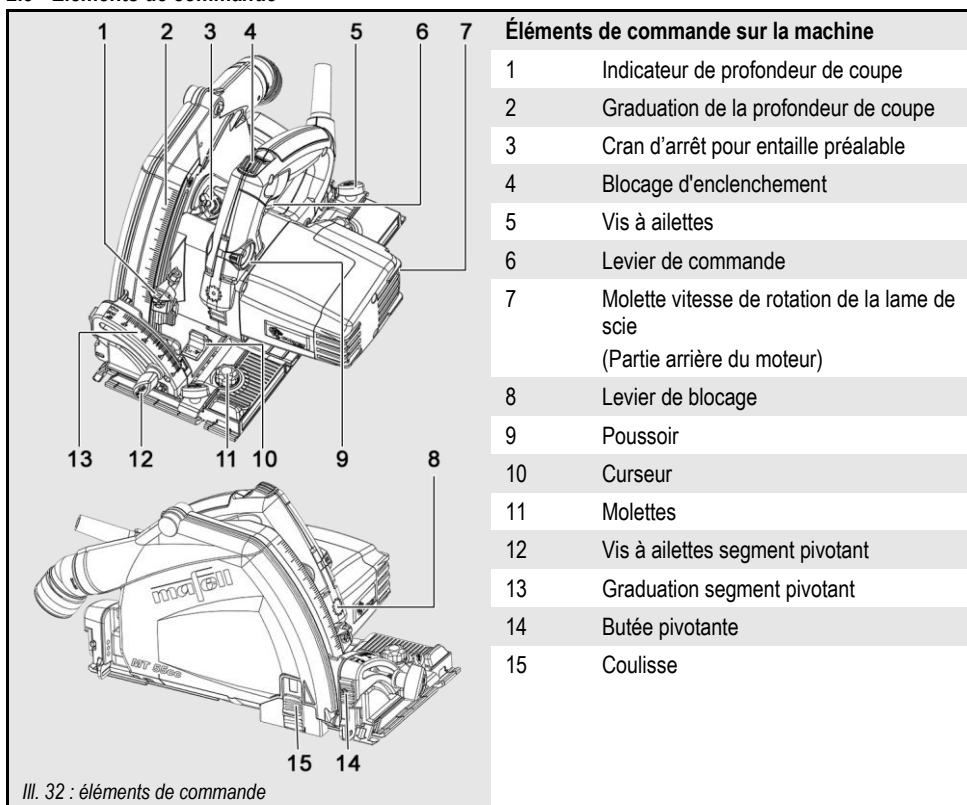
2.1 Caractéristiques techniques

Moteur universel	120 V~, 60 Hz
Courant en charge normale	13.5 A
Vitesse de rotation de la lame au ralenti	2600 - 6200 tr/min
Vitesse de rotation de la lame à charge normale	2600 - 6200 tr/min
Profondeur de coupe	0°: 0 - 57 mm [0 - 2,24 in] 30°: 0 - 46 mm [0 - 1,81 in] 45°: 0 - 35 mm [0 - 1,38 in]
Groupe de sciage inclinable	-1° / 0° - 48°
Diamètre maxi/mini de la lame de scie	162/149 mm [6,38/5,87 in]
Épaisseur du corps de base de la lame de scie	1,2 mm [0,05 in]
Largeur de coupe de l'outil	1,8 mm [0,07 in]
Alésage de fixation de la lame	20 mm [0,8 in]
Diamètre du manchon d'aspiration	35 mm [1,4 in]
Poids sans câble réseau, sans guide parallèle	4,5 kg [9,92 lbs]
Dimensions (largeur x longueur x hauteur)	228 x 365 x 220 mm [8,98 x 14,37 x 8,66 in]

2.2 Équipement standard



2.3 Éléments de commande



3 Sécurité générale

Avertissement

Veillez lire toutes les consignes de sécurité et instructions. Tout non-respect des consignes de sécurité et instructions risque d'être à l'origine de décharges électriques, d'incendies et/ou de blessures graves. **Conservez toutes les consignes et instructions pour pouvoir les relire à tout moment.**

3.1 Utilisation conforme

La machine est exclusivement destinée à la coupe longitudinale et transversale de bois massifs.

Les panneaux dérivés du bois tels que les panneaux de particules, les panneaux lattés et les panneaux MDF peuvent être également usinés.

Le sciage de matériaux isolants en fibres de bois s'avère également possible.

N'utiliser que des lames de scie homologuées par le fabricant.

En liaison avec la lame de scie diamantée, il est également possible de couper des panneaux en fibro-ciment.

3.2 Utilisation non conforme prévisible

La machine n'est pas destinée à une autre utilisation que celle conforme, précédemment indiquée.

La responsabilité du fabricant ne pourra pas être mise en cause en cas de dommages résultant d'une utilisation non conforme.

Pour utiliser la machine de façon conforme, respecter les conditions de fonctionnement, maintenance et entretien dictées par Mafelli.

Font également partie de l'utilisation non conforme prévisible :

- Le fait de manipuler, retirer et/ou déjouer des dispositifs de sécurité quels qu'ils soient.
- Le fonctionnement de la machine sans dispositifs de sécurité.
- Le non-respect des consignes de sécurité et mises en garde dans la notice d'emploi.
- Le retrait des consignes de sécurité et mises en garde apposées sur la machine.
- Commande de la machine par des personnes non autorisées.
- Le non-respect des consignes de maintenance et d'entretien.

Interdiction d'utiliser :


- Des lames de scie fissurées ou des lames de scie déformées.
- Des lames de scie en acier rapide fortement allié (HSS).
- Des lames de scie émoussées, occasionnant une surcharge du moteur.
- Des lames de scie pas appropriées à la vitesse de rotation à vide.

3.3 Consignes de sécurité

LIRE TOUTES LES INSTRUCTIONS !

Le non-respect des instructions ci-après peut être à l'origine de décharges électriques, incendies et/ou graves blessures.

Champ d'application

- Il est interdit à des enfants ou à des adolescents de se servir de la machine.
- Lors de l'utilisation de la machine en plein air, il est recommandé de l'équiper d'un interrupteur de protection contre les courants de court-circuit.
- Les câbles ou les fiches détériorés doivent être remplacés sans retard. Afin d'éviter toute menace pour la sécurité, ne confier le remplacement qu'à Mafell ou à un atelier de service après-vente agréé par MAFELL.
- Éviter de plier le câble. En particulier, ne pas enrouler le câble autour de la machine pendant le transport et le stockage de la machine.
- Ne pas utiliser cette machine en étant fatigué, sous l'influence de drogues, d'alcool ou de médicaments. Faites attention à ce que vous faites, restez vigilant et faites preuve de bon sens.
- Tenir les enfants et les passants à l'écart en utilisant la machine. Toute distraction peut faire perdre le contrôle de la machine.
-  Utiliser une protection oculaire, un masque anti-poussière et une protection auditive. Un équipement de sécurité approprié, utilisé dans de bonnes conditions, réduit les blessures.

Instructions pour entretien et maintenance :

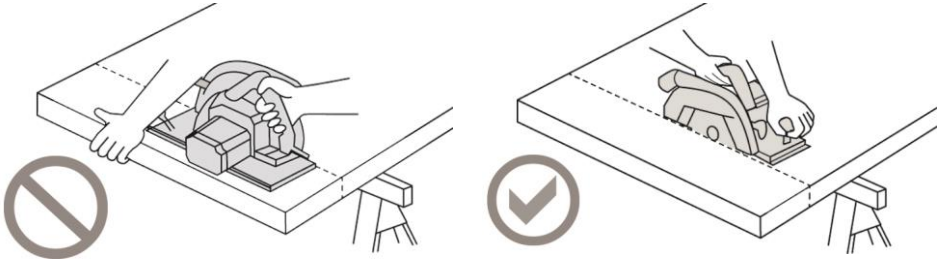
- Le nettoyage régulier de la machine et surtout des dispositifs de réglage et des guidages constitue un facteur de sécurité important.
- N'utiliser que des pièces détachées et des accessoires d'origine MAFELL. À défaut de quoi la garantie du constructeur n'est pas assurée et sa responsabilité est dérogée.
- **Élaborer un calendrier de maintenance périodique pour la machine. Lors du nettoyage de la machine, veillez à ne démonter aucune pièce de la machine, car des fils internes risquent d'être mal posés ou coincés lors du remontage, ou des ressorts de rappel du dispositif de protection mal installés.** Certains produits de nettoyage tels que l'essence, le tétrachlorure de carbone, l'ammoniac, etc. peuvent endommager des pièces en plastique.
- **Une partie de la poussière générée lors du sciage, ponçage, perçage et autres travaux de construction contient des produits chimiques connus pour être cancérigènes, provoquer des malformations congénitales ou d'autres atteintes à la reproduction. Voici quelques exemples de ces produits chimiques :**
 - Le plomb des peintures à base de plomb,
 - La silice cristalline provenant des briques, du ciment et d'autres produits de maçonnerie,
 - L'arsenic et le chrome provenant de bois traité chimiquement.

Le risque encouru à cause de ces dangers varie en fonction de la fréquence à laquelle ce type de travail est effectué. Pour réduire l'exposition à ces produits chimiques : travailler dans un endroit bien ventilé et utiliser des équipements de sécurité approuvés, tels que masques anti-poussières spécialement conçus pour filtrer les particules microscopiques.

3.4 Consignes de sécurité spécifiques

Sciage

- **Ne mettre les mains ni dans la zone de sciage, ni sur la lame de scie. Retenir de l'autre main la poignée supplémentaire ou le carter du moteur.** Si les deux mains retiennent la scie, elles ne risquent pas d'être blessées par la lame de scie.

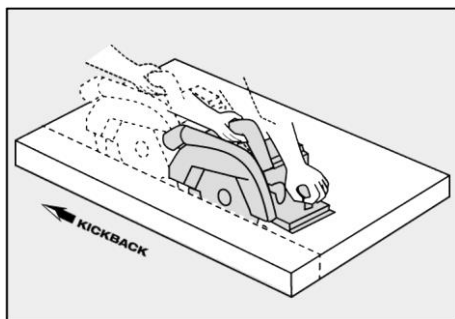


Ill. 33 : sciage de manière incorrecte et incorrecte

- **Ne pas mettre les mains sous la pièce à travailler.** Le capot protecteur n'offre aucune protection contre la lame de scie en-dessous de la pièce à travailler.
- **Adapter la profondeur de coupe à l'épaisseur de la pièce à travailler.** Sous la pièce, on devrait voir moins que la hauteur complète d'une dent.
- **Ne jamais retenir la pièce à travailler d'une main ou d'une jambe. Bloquer la pièce à travailler sur un appui stable.** Il est important de bien fixer la pièce à travailler. Ceci minimise le risque de contact corporel, le blocage de la lame de scie ou la perte de contrôle de la machine.
- **Tenir la machine au niveau des plans de prise isolés, en effectuant des travaux au cours desquels l'outil utilisé risque de rencontrer des câbles électriques dissimulés ou bien même son propre câble.** Tout contact avec un câble sous tension met également les pièces métalliques de la machine sous tension et provoque une décharge électrique.
- **Toujours utiliser une butée ou un guidage de bord droit pour la coupe longitudinale.** Ceci améliore la précision de la coupe et réduit la possibilité de coincement de la lame de scie.
- **Toujours utiliser des lames de scie ayant la dimension correcte et l'alésage de fixation approprié (par ex. en forme d'étoile ou rond).** Des lames de scie non adaptées aux pièces montées sur la scie tournent de façon irrégulière et sont à l'origine d'une perte de contrôle.
- **Ne jamais utiliser de rondelles ou de vis de lames de scies endommagées ou incorrectes.** Les rondelles et vis de lames de scie sont construites spécialement pour la scie utilisée, afin d'en assurer la performance et la sécurité de fonctionnement optimales.

Rebond - causes et consignes de sécurité correspondantes

- Un rebond est une réaction brusque résultant du coincement ou d'un ajustage incorrect de la lame de scie, qui provoque un relèvement incontrôlé de la scie, à la suite duquel la scie ressort du matériau en direction de l'opérateur.
- Si la lame de scie se coince dans l'interstice de coupe qui se ferme, elle se bloque et la force motrice fait rebondir la scie en arrière, en direction de l'opérateur.
- Si la lame de scie est retournée ou mal orientée dans la fente de coupe, les dents du bord arrière de la lame de scie risquent de rester accrochées à la surface du bois, entraînant ainsi l'extraction de la lame de scie hors de l'interstice de coupe et le rebond de la scie en direction de l'opérateur.

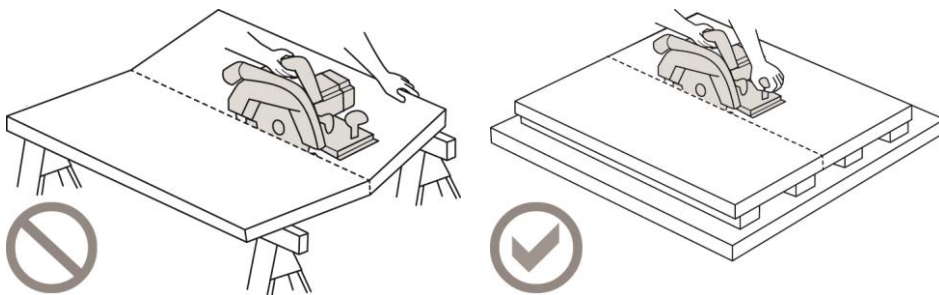


Ill. 34 : rebond de la machine

Un rebond est la conséquence d'une utilisation incorrecte ou erronée de la scie. Il peut être évité grâce aux mesures de précaution appropriées, ci-après décrites.

- **Retenir fermement la scie des deux mains et positionner les bras de manière à ce qu'ils puissent intercepter les forces dues au rebond. Toujours se tenir sur le côté de la lame de scie et ne jamais se placer sur la même ligne que la lame de scie.** En cas de rebond, la scie circulaire peut revenir en arrière mais, en prenant des mesures de précaution appropriées, l'opérateur peut cependant arriver à maîtriser les forces de rebond.
- **Si la lame de scie est coincée ou bien si le travail est interrompu, arrêter la scie et la retenir calmement dans le matériau, jusqu'à ce que la lame de scie s'immobilise. Ne jamais essayer de la dégager ou de la tirer en arrière hors de la pièce, tant que la lame de scie est en mouvement, sinon un rebond se produit.** Déterminer la cause du coincement de la lame de scie et y remédier.
- **Pour faire redémarrer une scie bloquée dans une pièce, centrer la lame de scie dans l'interstice de coupe et vérifier que les dents de la scie ne restent pas accrochées dans la pièce à travailler.** Si la lame de scie se coince, elle peut ressortir du matériau ou provoquer un rebond, si elle est remise en marche.

- **Étayer les grands panneaux pour éviter le risque de contrecoup dû au coincement d'une lame de scie.** Entraînés par leur poids propre, des grands panneaux risquent de fléchir. Les panneaux doivent être étayés des deux côtés et ce, aussi bien à proximité de l'interstice de sciage que du bord.



III. 35 : appui incorrect et correct

- **Ne pas utiliser de lames de scie émoussées ou endommagées.** Des lames de scie, dont les dents sont émoussées ou mal orientées, provoquent une friction accrue, due à un interstice de coupe trop étroit, le blocage de la lame de scie et un rebond.
- **Définir avant le sciage les réglages de la profondeur et de l'angle de coupe.** Si les réglages varient pendant le sciage, la lame de scie risque de rester coincée et de provoquer un rebond.
- **Faire preuve d'une vigilance à toute épreuve en sciant dans des murs présents ou dans d'autres zones non visibles.** En pénétrant dans des objets masqués, la lame de scie risque de se bloquer et de provoquer un rebond.

Fonction du capot protecteur

- **Avant chaque utilisation, vérifier si la lame de scie peut être déplacée vers le bas, hors du capot protecteur, après l'actionnement du blocage d'enclenchement et si elle revient et se verrouille intégralement dans la position rentrée lors du délestage.** Si la scie tombe par inadvertance, le capot protecteur risque de se voiler. S'assurer que la lame de scie se déplace librement et qu'elle n'entre en contact ni avec le capot protecteur, ni avec d'autres pièces dans n'importe quel angle et quelle profondeur de coupe.
- **Vérifier le fonctionnement des ressorts du capot protecteur. Faire réparer la scie avant l'utilisation, si le capot protecteur et les ressorts ne fonctionnent pas correctement.** Des pièces endommagées, des dépôts collants ou des amas de copeaux ralentissent le travail du capot protecteur.
- **Ne pas poser la scie sur l'établi ou sur le sol sans que la lame de scie ne se soit complètement retirée dans le capot protecteur.** Pendant son postfonctionnement, une lame de scie non protégée se déplace dans le sens inverse de la coupe et scie tout ce qu'elle trouve sur son passage. Respecter par conséquent la durée de postfonctionnement de la lame de scie.

CONSERVER LES PRÉSENTES INSTRUCTIONS !

3.5 Dispositifs de sécurité

⚠ Danger



Risque de blessure dû à l'absence de dispositifs de sécurité

Ces dispositifs étant nécessaires au fonctionnement sécurisé de la machine, il est interdit de les retirer ou de les ponter.

- Avant le fonctionnement, vérifier si les dispositifs de sécurité fonctionnent et s'ils sont éventuellement endommagés.
- Ne pas utiliser la machine avec des dispositifs de sécurité absents ou inefficaces.

La machine est équipée des dispositifs de sécurité suivants :

Dispositif de sécurité	Type de contrôle
Capot protecteur fixe	Contrôle optique du bon état Contrôle du fonctionnement (extraction de la lame de scie jusqu'à la profondeur de coupe intégrale et retour brusque sans rebond dans la position finale supérieure et verrouillage dans cette position)
Socle large	Contrôle visuel quant aux endommagements et déformations
Poignées	Contrôle optique du bon état
Dispositif de commande et frein	Contrôle du fonctionnement (la durée de freinage maxi ne doit pas excéder 7 secondes)
Tubulure d'aspiration	Contrôle visuel quant à l'endommagement et l'obturation

Si les dispositifs de sécurité sont endommagés ou ne fonctionnent pas correctement, respecter les consignes du chapitre Élimination des défauts. Sinon, veuillez contacter votre concessionnaire ou directement le service après-vente MAFELL.

3.6 Risques résiduels

 Avertissement	
	<p>Risque de blessure en travaillant avec la machine</p> <p>Même dans le cadre de l'utilisation conforme et du respect des consignes de sécurité, certains risques résiduels émanent de l'utilisation et peuvent être à l'origine de problèmes de santé.</p> <ul style="list-style-type: none"> ➤ Respecter les consignes de sécurité et informations fournies dans les présentes instructions. ➤ Toujours travailler avec une attention accrue et le maximum de vigilance en manipulant la machine.

Font également partie des risques résiduels :



- Contact avec la lame de scie dans la zone de la fente de translation sous la plaque de base.
- Contact lors du sciage, de la partie de lame se trouvant sous la pièce à travailler.
- Contact de pièces en rotation sur le côté : lame de scie, flasque de serrage, vis de flasque.
- Contrecoup de la machine lors du coincement dans la pièce à travailler.
- Rupture et éjection de la lame de scie ou de morceaux de la lame de scie.
- Lésion de l'ouïe lors de travail long et continu sans protection auditive.
- Émission de sciures de bois nuisant à la santé lors d'un travail long et continu sans aspiration.

4 Équipement / Réglage

4.1 Raccordement au réseau

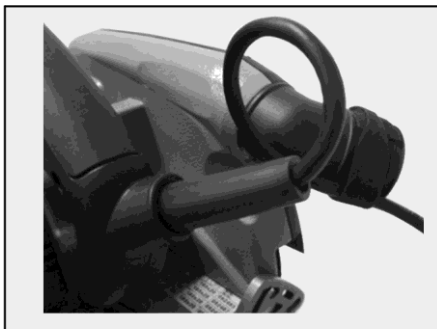
Avant la mise en marche, vérifier que la tension du réseau correspond bien à la tension indiquée sur la plaque signalétique de la machine.

4.2 Pose du câble de raccordement

 Avertissement	
	<p>Décharge électrique en cas de coupe du câble de raccordement</p> <p>Le câble de raccordement risque de porter préjudice aux fonctions de sécurité et de travail et d'entrer en contact avec l'outil de coupe. L'entaille du propre câble de raccordement met les pièces métalliques de la machine sous tension et provoque une décharge électrique. Risque de blessure pour l'utilisateur</p> <ul style="list-style-type: none"> ➤ Pendant le travail, faire attention à la pose du câble de raccordement. ➤ Ne pas couper le câble de raccordement.

Pour poser le câble de raccordement, procéder de la manière suivante :

1. Guider le câble de raccordement en direction du passe-câble, en l'écartant de la machine.
 - À titre d'aide, utiliser la fermeture velcro se trouvant sur la tubulure d'aspiration.
2. Dans la mesure du possible, toujours maintenir le câble de raccordement à l'écart de l'outil de travail.
 - ✓ Câble de raccordement posé.

*Ill. 36 : pose du câble de raccordement***4.3 Aspiration des copeaux****⚠ Attention****Dangers pour la santé dus à la poussière de bois**

Les poussières se dégageant pendant le travail sont inhalées et peuvent nuire à la santé.

- Les poussières nuisant à la santé doivent être aspirées à l'aide d'un aspirateur HEPA 13.
- Porter un masque anti-poussière pendant le travail.

Raccorder la machine à un dispositif d'aspiration externe approprié avant d'effectuer des travaux avec un fort dégagement de poussière. La vitesse de l'air doit être d'au moins 20 m/s [65 ft/sec].

Le diamètre intérieur de la tubulure d'aspiration est de 35 mm [1.4 in].

4.4 Choix de la lame

Pour obtenir une bonne qualité de coupe, utiliser un outil affûté et choisir une lame dans le tableau suivant, en fonction du matériau et de l'application :

Coupes longitudinale et transversale par rapport au sens des fibres du bois tendre ou dur :

- Lame de scie circulaire en carbure Ø 160 x 1,8 x 20 mm, 32 dents [Ø 6,30 x 0,07 x 0,79 in]

Coupe de bois tendre et dur, en particulier dans le sens longitudinal par rapport au sens des fibres :

- Lame de scie circulaire en carbure Ø 160 x 1,8 x 20 mm, 16 dents [Ø 6,30 x 0,07 x 0,79 in]

Coupe de bois tendre ou dur, en particulier dans le sens transversal par rapport au sens des fibres :

- Lame de scie circulaire en carbure Ø 162 x 1,8 x 20 mm, 48 dents [Ø 6,38 x 0,07 x 0,79 in]

Coupes « de précision » de bois tendre ou dur, en particulier dans le sens transversal par rapport au sens des fibres :

- Lame de scie circulaire en carbure Ø 160 x 1,8 x 20 mm, 56 dents [Ø 6,30 x 0,07 x 0,79 in]

Coupe de matériaux isolants en fibres de bois :

- Lame de scie circulaire en carbure Ø 160 x 1,8 x 20 mm, 32 dents [Ø 6,30 x 0,07 x 0,79 in]




Coupe de plastiques (polystyrène) :

- Lame de scie circulaire en carbure Ø 160 x 1,8 x 20 mm, 16 dents [Ø 6,30 x 0,07 x 0,79 in]

Coupe de panneaux en fibro-ciment :

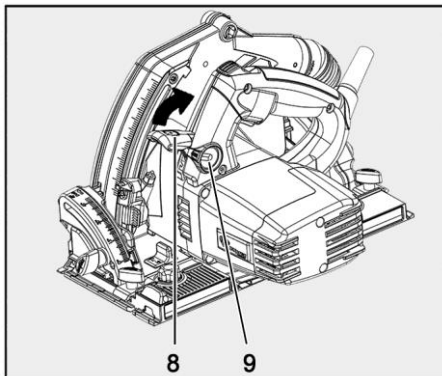
- Lame de scie circulaire en diamant Ø 160 x 3,0 x 20 mm, 4 dents [Ø 6,30 x 0,12 x 0,79 in]

4.5 Changement de lame

 Attention	
 	<p>Risque de blessure dû à la lame de scie acérée</p> <p>La lame de scie est acérée. Lors du remplacement de la lame de scie, il est possible de s'y blesser.</p> <ul style="list-style-type: none"> ➤ Porter des gants de protection pour remplacer la lame de scie. ➤ Faire preuve de vigilance en remplaçant la lame de scie.

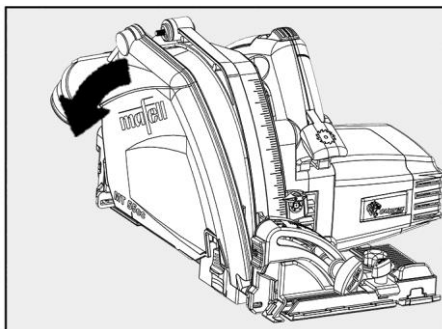
Pour remplacer la lame de scie, procéder de la manière suivante :

1. Débrancher la fiche secteur de la machine.
2. Déposer le câble à portée de vue.
3. Poser la machine débranchée sur une surface plane.
4. Actionner et maintenir le poussoir 9 actionné.
5. Tirer le levier de blocage 8 vers le haut.
 - Le capot protecteur est déverrouillé et peut être ouvert sur le côté. L'arbre de scie et le levier de commande sont automatiquement bloqués.



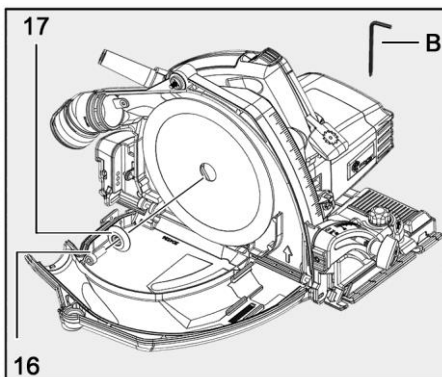
III. 37 : déverrouillage du capot protecteur

6. Ouvrir le capot protecteur sur le côté.



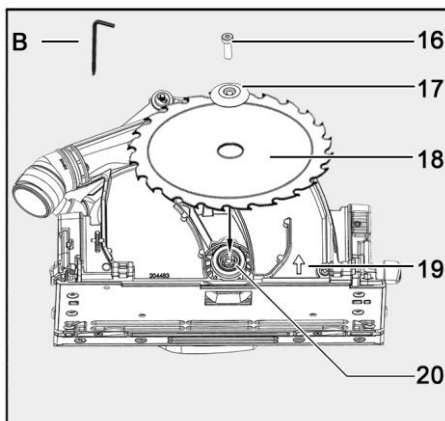
III. 38 : ouverture du capot protecteur

7. Dévisser la vis de bride 16 dans le sens inverse des aiguilles d'une montre, à l'aide de la clé à six pans B.
8. Retirer la vis de bride 16 ainsi que la bride de serrage avant 17.
9. Retirer la lame de scie usée.
 - Les brides de serrage doivent être exemptes de particules adhérentes !
 - La lame de scie neuve peut être alors montée.

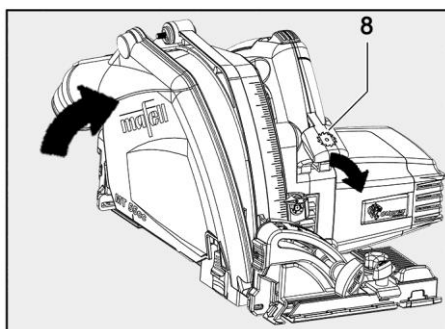


III. 39 : retrait de la lame de scie usée

10. Poser la lame de scie neuve 18 sur la bride arrière 20.
 - Lors de la mise en place de la lame de scie, faire attention au sens de rotation. Les dents de scie ou la flèche sur la lame de scie 18 doivent être dirigées vers la flèche 19 se trouvant sur la machine.
11. Insérer la bride de serrage 17 et la vis de bride 16.
12. Visser la vis de bride 16 **dans le sens des aiguilles d'une montre**, à l'aide de la clé à six pans B.
 - La lame de scie est fixée.
13. Fermer le couvercle du capot protecteur
14. Presser le levier de blocage 8 vers le bas.
 - Le mécanisme de verrouillage de la lame de scie est désactivé.
 - Le levier de commande est déverrouillé.
 - ✓ La lame de scie est remplacée.



III. 40 : remplacement de la lame de scie



III. 41 : fermeture du capot protecteur

5 Fonctionnement

5.1 Mise en service

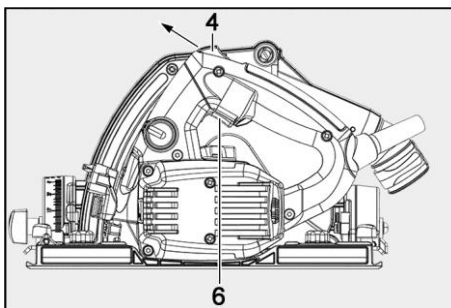
Avertissement

La présente notice d'emploi doit être portée à la connaissance du personnel chargé de travailler avec la machine, une attention particulière devant être accordée au chapitre « consignes de sécurité ».

5.2 Mise en marche

Pour mettre la machine en marche, procéder de la manière suivante :

1. Presser le blocage d'enclenchement 4 vers l'avant, pour le déverrouillage.
2. Actionner le levier de commande 6 et le maintenir appuyé, tout en pressant le blocage d'enclenchement.
3. Relâcher le blocage d'enclenchement 4.
✓ La machine est enclenchée



III. 42 : mise en marche de la machine

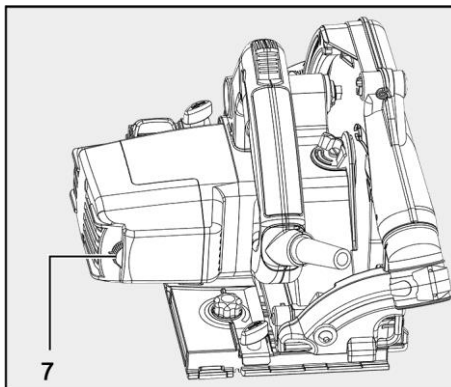


Vu qu'il s'agit d'un interrupteur sans blocage, la machine continue de fonctionner tant que le levier de commande est pressé.

5.3 Réglage de la vitesse de rotation

Pour régler la vitesse de rotation, procéder de la manière suivante :

1. Régler la vitesse voulue à l'aide de la molette de réglage 7.
 - La molette 7 permet de régler la vitesse de rotation de la lame de scie en continu, entre 3600 et 6200 tours par minutes.
- ✓ La vitesse de rotation est réglée.



III. 43 : réglage de la vitesse de rotation à l'aide de la molette

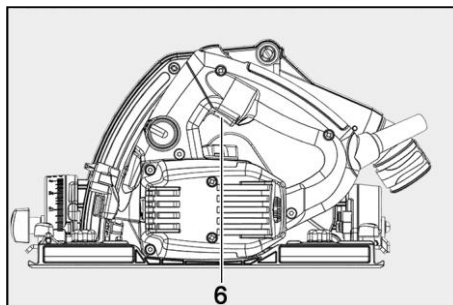
Le réglage de la vitesse de rotation de la lame de scie approprié à l'utilisation est indiqué dans le tableau suivant :

Matériaux	Niveau	Vitesse de rotation
Plastiques (polystyrène)	1	3600
Plastiques (polystyrène)	2	4100
Bois dur, bois tendre, contreplaqué, matériaux isolants en fibres de bois, panneaux en fibro-ciment	3	4700
Bois dur, bois tendre, contreplaqué, panneaux revêtus dérivés du bois, panneaux en fibro-ciment	4	5200
Bois dur, bois tendre, contreplaqué, panneaux revêtus dérivés du bois, panneaux en fibro-ciment	5	5700
Bois dur, bois tendre, contreplaqué, panneaux revêtus dérivés du bois, fibres souples	6	6200

5.4 Arrêt

Pour arrêter la machine, procéder de la manière suivante :

1. Relâcher le levier de commande 6.
 - Le frein automatique monté permet de limiter à 5 s environ la durée de décélération de la lame de scie.
 - Le blocage d'enclenchement redevient actif et protège la scie circulaire portative contre tout enclenchement involontaire.
 - ✓ La machine est arrêtée.



Ill. 44 : arrêter la machine



Dès que le freinage dure plus de 7 secondes, faire vérifier la machine et monter une nouvelle garniture de frein.

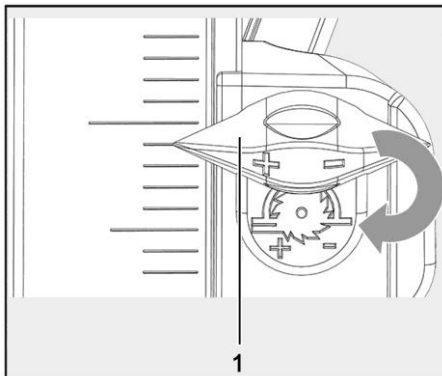
5.5 Réglage de la profondeur de coupe

La profondeur de coupe peut être réglée progressivement dans une plage de 0 à 57 mm [0 à 2,24 in].

Pour régler la profondeur de coupe, procéder de la manière suivante :

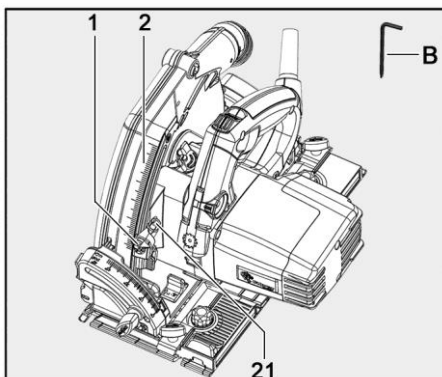
1. Tourner l'indicateur 1, suivant que le travail s'effectue avec ou sans règle de guidage (accessoire supplémentaire).
 - Position supérieure = avec règle de guidage
 - Position inférieure = sans règle de guidage

L'utilisation d'une règle de guidage permet de réduire la profondeur de coupe de 6 mm [0,24 in].



III. 45 : indicateur sur position profondeur de coupe

2. Régler la profondeur de coupe à l'aide de l'indicateur 1.
 - La profondeur de coupe peut être relevée sur l'échelle graduée 2 se trouvant sur le couvercle. La graduation a un crantage de 1 mm.
 - Pour parfaire l'ajustage du réglage de la profondeur de coupe, il est possible de faire tourner la vis cylindrique 21 à l'aide de la clé à six pans B. Une rotation correspond à une modification de profondeur de coupe de 1 mm [0,04 in].
- ✓ La profondeur de coupe est réglée.



III. 46 : réglage de la profondeur de coupe



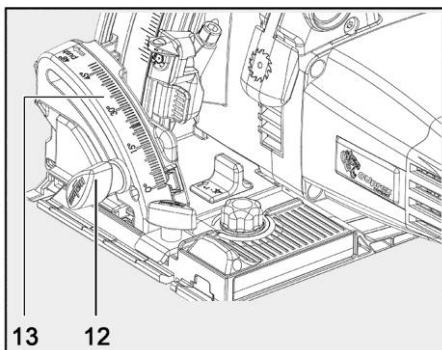
Toujours régler la profondeur de coupe de séparation de manière à ce qu'elle ait jusqu'à 2 à 5 mm [0,08 à 0,2 in] de plus environ que l'épaisseur du matériau à couper.

5.6 Réglage pour coupes biaisées

Pour les coupes biaisées, le groupe de sciage peut être réglé sur un angle quelconque de 0° à 45°.

Pour régler le groupe de sciage pour des coupes biaisées, procéder de la manière suivante :

1. Pour la coupe biaisée, poser la machine et l'étayer de manière à ce que le groupe de sciage puisse être pivoté.
2. Desserrer la vis à ailettes 12.
3. Régler l'angle en fonction de la graduation 13 sur le segment pivotant.
4. Serrer ensuite la vis à ailettes 12 à fond.
 - ✓ Le groupe de sciage est réglé sur l'angle voulu pour la coupe biaisée.

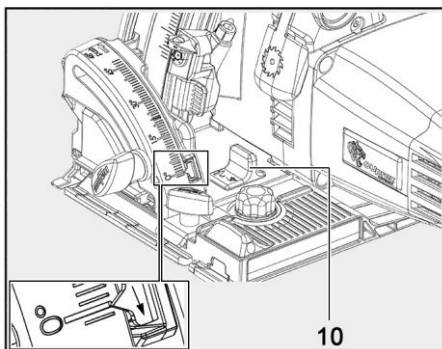


III. 47 : réglage du groupe de sciage pour coupes biaisées

La machine peut être pivotée en plus sur -1° ou 48°.

Pour régler le groupe de sciage sur -1°, procéder de la manière suivante :

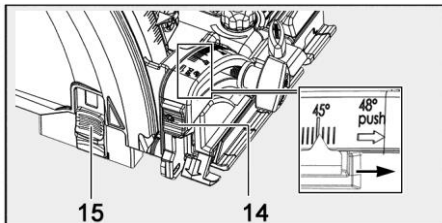
1. Tirer la coulisse 10 vers l'arrière dans le sens de la flèche et la retenir.
2. Régler l'angle de la machine sur -1°.
 - ✓ Le groupe de sciage est réglé sur -1°.



III. 48 : réglage du groupe de sciage sur -1°

Pour régler le groupe de sciage sur 48°, procéder de la manière suivante :

1. Presser la butée 14 vers le bas, sur le côté de la machine, et bien la retenir.
2. Régler l'angle de la machine sur 48°.
 - ✓ Le groupe de sciage est réglé sur 48°.



III. 49 : réglage du groupe de sciage sur 48°

Pour chaque angle de coupe biaisée, il est possible de déplacer la coulisse 15 de manière à se trouver sur la pièce et minimiser ainsi le dégagement de poussière pendant le sciage.

5.7 Coupes en plongée

Avertissement



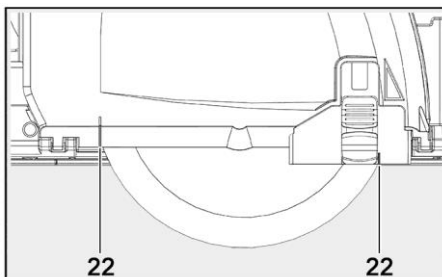
Risque de rebond lors de la coupe en plongée !

Des coincements pendant des coupes en plongée peuvent provoquer un rebond de la machine. Ceci peut être à l'origine de graves blessures.

- Avant la plongée, aligner le bord arrière de la plaque de base de la machine par rapport à une butée fixée sur la pièce à usiner fixée.
- Bien retenir la machine au niveau de la poignée, lors de la plongée, et la faire progresser doucement vers l'avant !

Pour effectuer des coupes en plongée, procéder de la manière suivante :

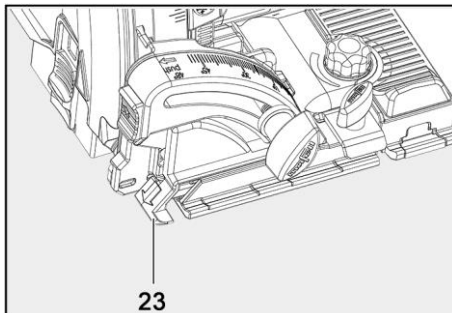
1. Aligner la machine sur la pièce à usiner.
 - Les repères 22 sur le capot protecteur inférieur et la coulisse servent d'orientation pour la zone de coupe de la lame de scie, lorsque cette dernière est sortie jusqu'à concurrence de la profondeur de coupe intégrale. Pour d'autres profondeurs de coupe, utiliser l'indicateur de position MT-PA décrit au chapitre 5.10.3 .
2. Enclencher la scie circulaire plongeante et plonger à la profondeur de coupe réglée.
3. Pousser la machine de manière régulière dans le sens de la coupe.
4. Arrêter la machine à la fin de la coupe.
5. Revenir dans la position supérieure verrouillée.
 - ✓ La coupe en plongée est faite.



III. 50 : coupe en plongée

5.8 Sciage d'après tracé

La plaque de base possède un traceur mobile qui s'adapte automatiquement lors de coupes biaisées. Ce bord de traçage 23 correspond à la partie intérieure de la lame de scie (côté faisant face au moteur).



Ill. 51 : bord de traçage

Pour scier d'après un tracé, procéder de la manière suivante :

1. Retenir la machine au niveau des poignées et poser la partie avant de la plaque de base sur la pièce à travailler.
2. Positionner le bord de traçage 23 sur le tracé de la pièce à travailler.
3. Mettre la machine en marche.
4. Plonger à la profondeur de coupe réglée et faire avancer régulièrement la machine dans le sens de la coupe.
5. Veiller à ce que le bord de traçage 23 soit guidé le long du tracé.
6. Arrêter la machine à la fin de la coupe.
7. Revenir dans la position supérieure verrouillée.
 - ✓ Le sciage d'après tracé est terminé.

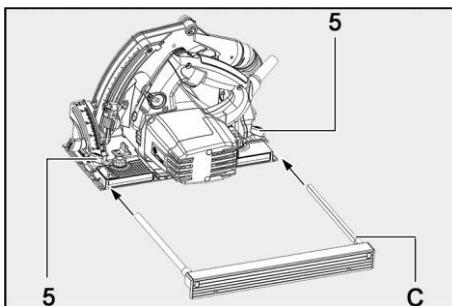
5.9 Sciage avec le guide parallèle

Le guide parallèle C sert au sciage parallèle par rapport à un chant déjà présent. Le guide peut être posé aussi bien à droite (côté moteur) qu'à gauche (côté outil) sur la machine. L'écart réglable possible est de 190 à 320 mm [7,48 à 12,60 in] sur le côté droit et de 40 à 130 mm [1,57 à 5,12 in] sur le côté gauche.

Pour vérifier la largeur réglée, utiliser un moyen de mesure supplémentaire (tel qu'un mètre pliant) pour régler le guide parallèle sur la cote correcte (bord du guide parallèle par rapport à la ligne de coupe).

Pour mettre le guide parallèle en place, procéder de la manière suivante :

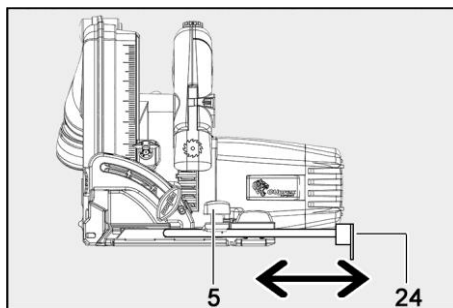
1. Dévisser les vis à ailette 5 des deux côtés.
2. Placer le guide parallèle C dans le guidage prévu à cet effet.
 - Ce dernier peut être logé du côté gauche ou droit de la machine.
3. Ressermer les vis à ailettes 5 des deux côtés.
 - ✓ La butée parallèle est mise en place.



Ill. 52 : mise en place du guide parallèle

Pour régler la largeur de coupe, procéder de la manière suivante :

1. Dévisser les vis à ailette 5 des deux côtés.
2. Régler le guide parallèle.
3. Resserrer les vis à ailettes 5 des deux côtés.
✓ La largeur de coupe est réglée



Ill. 53 : réglage de la largeur de coupe à l'aide du guide parallèle



En outre, si on le retourne simplement (la languette de guidage 24 étant dirigée vers le haut), le guide parallèle peut également servir de double appui pour améliorer le guidage de la scie circulaire portative.

La machine avec le guide parallèle peut être également guidée le long d'une règle de guidage ou d'une barrette en bois fixée sur la pièce à usiner. Pour cela, le guide parallèle doit être tourné pour que la languette de guidage 24 soit dirigée vers le haut.

5.10 Travail avec des accessoires supplémentaires

Divers accessoires supplémentaires sont disponibles pour la machine. Une vue d'ensemble se trouve au chapitre 8 Accessoires supplémentaires.

Certains types d'utilisation sont explicités par la suite.

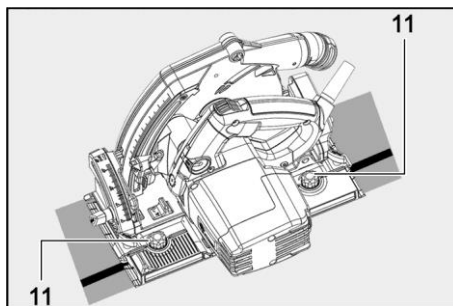
5.10.1 Travail avec la règle de guidage



La scie circulaire plongeante permet de travailler avec les règles de guidage fournies en option.

Pour régler le guidage avec la règle, procéder de la manière suivante :

1. Régler les deux molettes 11 de manière à ce que la machine se déplace sans jeu dans le guidage de la règle.
✓ Guidage réglé.

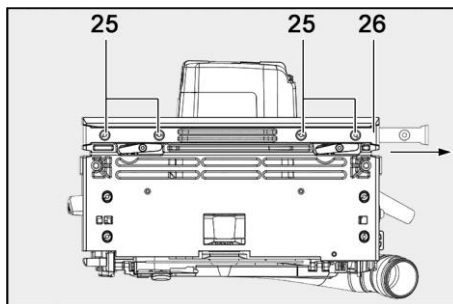


Ill. 54 : réglage du jeu de guidage

Il est de plus possible d'utiliser plusieurs règles du commerce. Retirer pour cela l'insert sur la partie inférieure de la machine.

Pour retirer l'insert, procéder de la manière suivante :

1. Dévisser les vis 25 sur l'insert 26.
2. Dégager l'insert 26.
 - La rainure alors présente sert à poser la machine sur d'autres règles de guidage.
 - ✓ Insert retiré.



III. 55 : retrait de l'insert pour règles étrangères

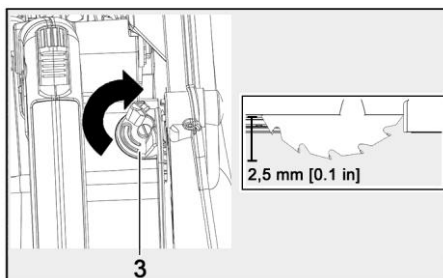
5.10.2 Entaille préalable avec la règle de guidage



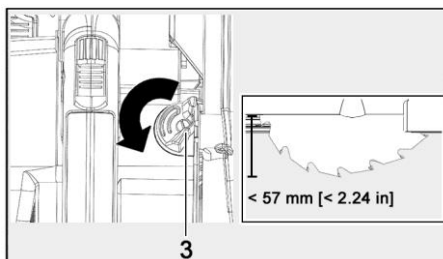
Afin d'éviter une déchirure de la surface dans le cas des panneaux dérivés du bois, utiliser la fonction entaille préalable de la machine pour les travaux avec règle de guidage. Pour cela, la profondeur de coupe est limitée à 2,5 mm [0,1 in] et la lame de scie minimalement décalée par rapport à la ligne de coupe.

Pour exploiter la fonction entaille préalable de la machine, procéder de la manière suivante :

1. Fixer la règle de guidage sur la pièce à usiner.
2. Poser la machine sur la règle de guidage avec la rainure de guidage sur la règle de guidage.
3. Tourner le cran d'arrêt pour entaille préalable 3 jusqu'en butée, dans le sens des aiguilles d'une montre.
 - La profondeur d'entaille préalable est maintenant réglée sur 2,5 mm [0,1 in]
4. Entailler la plaque.
5. Tourner le cran d'arrêt pour entaille préalable 3 de nouveau en arrière, dans le sens inverse des aiguilles d'une montre.
 - La pièce peut être alors usinée avec la profondeur de coupe intégrale.
 - ✓ Fonction entaille préalable de la machine utilisée



III. 56 : activation de la fonction entaille préalable



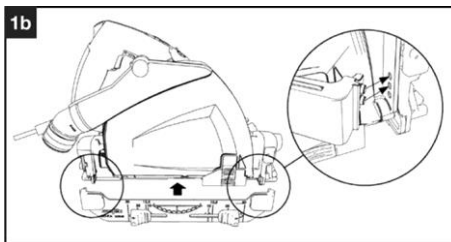
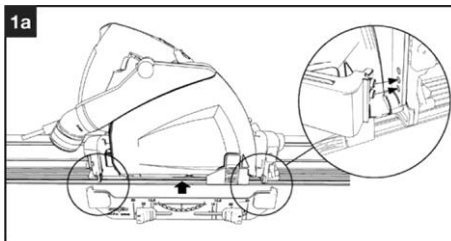
III. 57 : désactivation de la fonction entaille préalable

5.10.3 Travail avec l'indicateur de position

Pour les coupes en plongée avec profondeur de coupe fixe de 50/25/12,5/10 mm [1,97/0,98/0,49/0,39 in], l'utilisation de l'indicateur de position est recommandée. Ainsi, la zone précise de la coupe en plongée peut être déterminée.

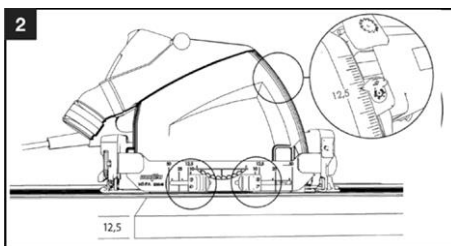
Pour utiliser l'indicateur de position, procéder de la manière suivante :

1. Insérer l'indicateur de position dans les trous prévus à cet effet.
 - Lors de l'utilisation d'une règle de guidage, prendre les deux trous du bas (voir 1a).
 - Sans règle de guidage, utiliser les deux trous du haut (voir 1b).



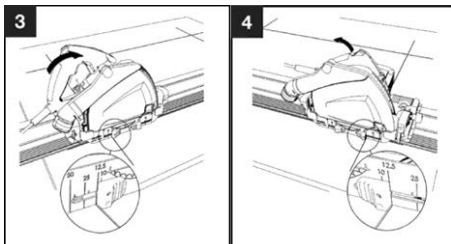
Ill. 58 : fixation de l'indicateur de position

2. Régler la profondeur de coupe sur la machine en fonction de l'épaisseur de plaque à couper.
 - Respecter pour cela le chapitre 5.5 Réglage de la profondeur de coupe.



Ill. 59 : réglage de la profondeur de coupe

3. Régler sur l'indicateur de position l'une des coulisses rouges sur la même valeur que la profondeur de coupe.
4. Régler la coulisse de l'autre côté sur la même valeur.
 - La zone de coupe pour la lame de scie se situe entre les deux coulisses rouges.
 - ✓ Indicateur de position utilisé.



Ill. 60 : réglage de l'indicateur de position sur la profondeur de coupe

5.10.4 Travail avec la lame de scie diamantée dans des panneaux en fibro-ciment



La lame de scie diamantée est conçue pour les panneaux en fibro-ciment. Les dents diamantées étant plus sensibles que celles d'une lame de scie en carbure, travailler par conséquent avec une règle de guidage. (voir le chapitre 5.10.1 Travail avec la règle de guidage)

6 Entretien et maintenance



Les machines MAFELL sont conçues pour fonctionner avec très peu d'entretien.

Les roulements à billes utilisés sont graissés à vie. Après une longue période d'utilisation, nous recommandons de faire réviser la machine par un service après-vente MAFELL agréé.

6.1 Stockage

Nettoyer soigneusement la machine si elle ne doit pas servir pendant une période prolongée. Vaporiser les parties nues du métal avec un agent anticorrosion.

7 Élimination des défauts

 Avertissement	
	<p>Risque de blessures dues au démarrage brusque de la machine</p> <p>La machine peut démarrer brusquement, à la suite d'une inadvertance pendant le travail ou de l'élimination de défauts. De graves blessures dues à la lame de scie en rotation peuvent en être la conséquence.</p> <ul style="list-style-type: none"> ➤ La détermination des causes de dérangements présents et leur élimination exigent toujours une attention et précaution particulières ! ➤ Débrancher la fiche du secteur avant d'éliminer des défauts !

Les dérangements les plus fréquents et leurs causes sont décrits ci-après. Pour tout autre dérangement, veuillez contacter votre concessionnaire ou directement le service après-vente MAFELL.

Dérangement	Cause	Élimination
Impossible de mettre la machine en marche	Tension secteur absente ou trop faible	Faire vérifier l'alimentation électrique par un électricien
	Fusible secteur défectueux	Faire remplacer le fusible par un électricien
	Balais de charbon usés	Amener la machine à un service après-vente MAFELL
La machine s'arrête pendant la coupe	Panne de secteur	Faire vérifier les préfusibles du réseau par un électricien
	Machine surchargée	Réduire la vitesse d'avance
	Balais de charbon usés	Amener la machine à un service après-vente MAFELL

Dérangement	Cause	Élimination
La lame se coince en avançant la machine	Avance trop rapide	Réduire la vitesse d'avance
	Lame émoussée	Relâcher immédiatement l'interrupteur. Dégager la machine de la pièce à travailler et changer la lame de scie
	Tensions dans la pièce à travailler	Vigilance accrue lors du sciage, augmentation du risque de rebond.
	Mauvais guidage de la machine (p. ex. à main libre)	Utiliser le guide parallèle
	Surface irrégulière de la pièce à travailler	Niveler la surface
La lame de scie vibre dans la pièce	Lame de scie mal ajustée	Parfaire le serrage de la lame de scie
	Pièce non fixée	Fixer la pièce avec des pinces
La lame de scie reste immobile - le moteur continue de tourner	Lame de scie mal fixée	Parfaire le serrage de la lame de scie
Traces de brûlure au niveau des points de coupe	Lame de scie émoussée ou inappropriée au travail	Changer la lame de scie
Sortie de copeaux obstruée	Bois trop humide	Nettoyer la sortie de copeaux
	Travail trop long sans aspiration	Raccorder la machine à une installation d'aspiration externe, p. ex. aspirateur mobile pour la sciure

8 Accessoires supplémentaires

- Lame de scie en carbure Ø 160 x 1,8 x 20 mm, 16 dents [Ø 6,30 x 0,07 x 0,79 in] (coupe longitudinale) Réf. 092539
- Lame de scie en carbure Ø 160 x 1,8 x 20 mm, 32 dents [Ø 6,30 x 0,07 x 0,79 in] (coupes longitudinales et transversales) Réf. 092552
- Lame de scie en carbure Ø 162 x 1,8 x 20 mm, 48 dents [Ø 6,38 x 0,07 x 0,79 in] (coupe transversale) Réf. 092584
- Lame de scie en carbure Ø 160 x 1,8 x 20 mm, 56 dents [Ø 6,30 x 0,07 x 0,79 in] (coupe de précision) Réf. 092553
- Lame de scie en diamant Ø 160 x 3,0 x 20 mm, 4 dents [Ø 6,30 x 0,12 x 0,79 in] Réf. 092474
- Règle de guidage F80, 800 mm [31,5 in] de long Réf. 204380
- Règle de guidage F110, 1100 mm [43,3 in] de long Réf. 204381
- Règle de guidage F160, 1600 mm [63 in] de long Réf. 204365
- Règle de guidage F210, 2100 mm [82,7 in] de long Réf. 204382
- Règle de guidage F310, 3100 mm [122 in] de long Réf. 204383
- Butée angulaire F-WA Réf. 205357
- Accessoires pour la règle de guidage :
 - Serre-joints F-SZ100MM (2 pces) Réf. 205399
 - Pièce de raccordement F-VS Réf. 204363
 - Lot système de guidage F160 Réf. 204626
- Kit lot système de guidage F80/160 avec butée angulaire, comprenant : F80 + F160 + pièce de raccordement + butée angulaire + 2 serre-joints + lot système de guidage Réf. 204749
- Kit lot système de guidage F160/160 comprenant : 2 x F160 + pièce de raccordement + 2 serre-joints + lot système de guidage Réf. 204805
- Pare-rebond F-RS Réf. 202867
- Indicateur de position MT-PA Réf. 205398
- Guide parallèle Réf. 203214

9 Schéma éclaté et liste de pièces de rechange




Les informations correspondantes, relatives aux pièces de rechange, se trouvent sur notre page web : www.mafelli.com

Índice de contenidos

1	Leyenda.....	59
1.1	Denominación del equipo.....	61
2	Datos del producto.....	61
2.1	Datos técnicos.....	61
2.2	Contenido.....	62
2.3	Mandos.....	62
3	Seguridad general.....	63
3.1	Uso correcto.....	63
3.2	Usos incorrectos previsibles.....	63
3.3	Instrucciones de seguridad.....	64
3.4	Reglas de seguridad específicas.....	65
3.5	Dispositivos de seguridad.....	68
3.6	Riesgos restantes.....	69
4	Equipamiento / Ajustes.....	69
4.1	Alimentación de red.....	69
4.2	Montaje de la toma de conexión.....	69
4.3	Sistema de aspiración de virutas.....	70
4.4	Selección de la hoja de sierra.....	71
4.5	Cambio de la hoja de sierra.....	71
5	Funcionamiento.....	74
5.1	Puesta en funcionamiento.....	74
5.2	Conectar.....	74
5.3	Ajuste de la velocidad de marcha.....	74
5.4	Desconexión.....	75
5.5	Ajuste de la profundidad de corte.....	76
5.6	Ajustes para cortes inclinados.....	77
5.7	Cortes de incisión.....	78
5.8	Serrar por la línea de trazado.....	79
5.9	Cortar con tope paralelo.....	79
5.10	Trabajar con accesorios especiales.....	80
6	Mantenimiento y reparación.....	83
6.1	Almacenaje.....	83
7	Eliminación de fallos técnicos.....	83
8	Accesorios especiales.....	85
9	Dibujo de explosión y lista de piezas de recambio.....	85






1 Leyenda

Este manual de instrucciones tiene los siguientes símbolos de información generales, para guiarle por el manual y le aportarán información importante.

Símbolo	Significado
	Información importante Este símbolo identifica consejos para el personal operario u otra información oportuna.
	Identifica un resultado intermedio en una secuencia de acciones.
	Identifica el resultado final en una secuencia de acciones.


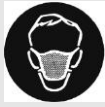


Tab. 9: Símbolos generales y su significado

Los símbolos de advertencia advierten de zonas de peligro, riesgos y obstáculos.

Símbolo	Significado
	Indicación de advertencia Este símbolo identifica las instrucciones de seguridad. De no respetar estas instrucciones, se pondrá en peligro la integridad de las personas.
	Advierte de peligros por descarga eléctrica.
	Advierte de peligros por polvo.
	Advierte de cortes.
	Advierte de cortes o amputación de extremidades.

Tab. 10: Símbolos de advertencia y su significado




Los símbolos de prohibición sirven para evitar accidentes.

Símbolo	Significado
	Usar lentes protectores.
	Usar mascarilla protectora del polvo.
	Usar protección de oídos.
	Usar guantes protectores.

Tab. 11: Símbolos de prohibición y su significado

Al operar la máquina se realizar siempre acciones que pueden ser peligrosas. Estas acciones peligrosas están indicadas por advertencias que se deben respetar.






Clasificación de los niveles de peligro (palabras de advertencia) en advertencias

Indicación de advertencia	Significado y consecuencias por incumplimiento
 Peligro	Peligro inmediato que provoca lesiones graves o la muerte .
 Advertencia	Situación potencialmente peligrosa, que podría provocar lesiones graves o la muerte .
 Precaución	Situación potencialmente peligrosa, que podría provocar lesiones leves .

Tab. 12: Estructura de advertencias

1.1 Denominación del equipo

Los símbolos que se explican a continuación pueden aparecer en la placa indicativa o el producto.

Símbolo	Explicación	Símbolo	Explicación
110 V~	Voltios	1, 2, 3, ... I, II, III, ...	Ajuste de la velocidad de marcha
a	Amperes	min ⁻¹	Revoluciones por minuto
Hz	Hertz	∅	Diámetro de la hoja de sierra
V	Vatios	~	Corriente alterna
kg	Kilogramo (peso)		Clase de protección II
min	Minutos (tiempo)		Leer el manual de instrucciones
s	Segundos (tiempo)		Lentes protectores
n ₀	Velocidad nominal en marcha neutra		Protección de oídos
n	Velocidad nominal con carga normal		Mascarilla protectora del polvo

2 Datos del producto

2.1 Datos técnicos

Motor universal	120 V~, 60 Hz
Corriente a carga normal	13,5 A
Velocidad del disco de sierra en marcha neutra	2600 - 6200 rpm
con carga normal	2600 - 6200 rpm
Profundidad de corte	0°: 0 - 57 mm [0 - 2.24 in] 30°: 0 - 46 mm [0 - 1.81 in] 45°: 0 - 35 mm [0 - 1.38 in]
Base inclinable	-1° / 0° - 48°
Diámetro de la hoja de sierra máx/mín	162/149 mm [6.38/5.87 in]
Grosor de cuerpo base de la hoja de sierra	1.2 mm [0.05 in]
Ancho de corte herramienta	1.8 mm [0.07 in]
Taladro de alojamiento de la hoja de sierra	20 mm [0.8 in]
Diámetro tubo de aspiración	35 mm [1.4 in]
Peso sin cable de alimentación de red, sin tope paralelo	4.5 kg [9.92 lbs]
Dimensiones (ancho x largo x altura)	228 x 365 x 220 mm [8.98 x 14.37 x 8.66 in]

2.2 Contenido

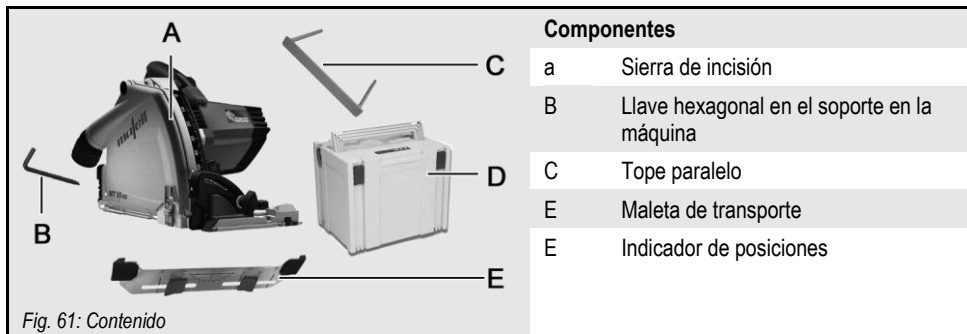


Fig. 61: Contenido

2.3 Mandos

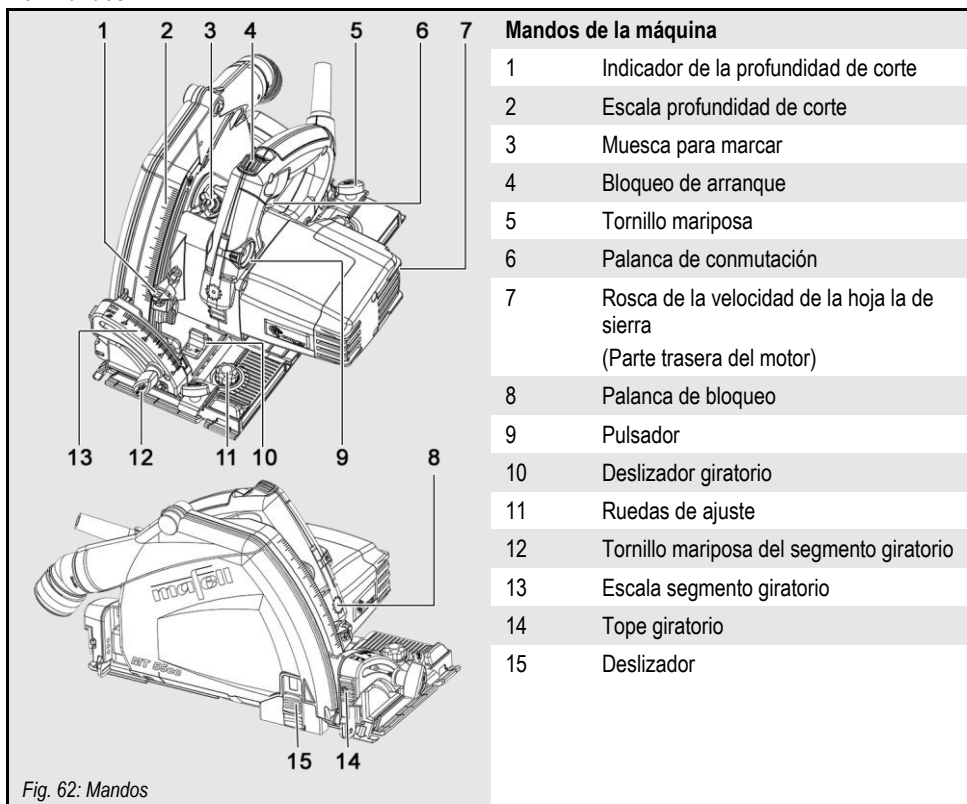


Fig. 62: Mandos

3 Seguridad general

Advertencia

Lea todas las indicaciones de seguridad e instrucciones. Si no se cumplen las indicaciones de seguridad e instrucciones, se pueden provocar descargas eléctricas, incendio y/o lesiones graves. **Guarde todas las indicaciones de seguridad e instrucciones para el futuro.**

3.1 Uso correcto

La máquina únicamente se puede utilizar para cortar longitudinal y transversalmente madera maciza. Asimismo, se pueden trabajar materiales compuestos como madera laminada, tableros de madera estratificada y tipo Mdf.

También se puede trabajar con materiales aislantes de fibra de madera.

Usar solo las hojas de sierra autorizadas por el fabricante.

Utilizando un disco de sierra de diamantes, también se pueden cortar planchas de fibrocemento.

3.2 Usos incorrectos previsible

La máquina no está diseñada para otro uso que no sea el indicado más arriba.

No se podrá presentar reclamación alguna ante el fabricante por los daños que se desprendan del uso inapropiado.

El uso apropiado de la máquina comprende respetar todas las instrucciones de servicio, mantenimiento y reparación del fabricante.

Algunos usos incorrectos previsible:

- Manipulación, extraer o evitar los dispositivos de seguridad de todo tipo.
- Operar la máquina sin dispositivos de seguridad.
- Incumplimiento de indicaciones de seguridad y advertencia del manual de instrucciones.
- Retirar indicaciones de de seguridad y advertencia de la máquina.
- Manejo no autorizado de la máquina.
- Incumplimiento de indicaciones de mantenimiento y cuidados estipulados.

No se deben utilizar discos de sierra:


- agrietados o deformados,
- acabados en acero rápido altamente aleado,
- despuntados por la carga excesiva del motor,
- que no sean aptos para la velocidad de discos de sierra en vacío.

3.3 Instrucciones de seguridad

LEA TODAS LAS INSTRUCCIONES!

El incumplimiento de las instrucciones abajo indicadas puede provocar descargas eléctricas, fuego y/o lesiones graves.

Área de trabajo

- No podrán manejar esta máquina personas menores de edad,
- Para el uso de la máquina al aire libre, se recomienda introducir un interruptor de corriente de defecto.
- Reemplace inmediatamente cualquier cable o conector defectuoso. Solo puede cambiar las piezas Mafell o un taller de servicio técnico autorizado por MAFELL para evitar riesgos de seguridad.
- No doblar nunca el cable. No envolver nunca el cable alrededor de la máquina, particularmente durante el transporte o almacenamiento de la misma.
- No utilice la máquina cuando se encuentre cansado, bajo la influencia de las drogas, alcohol o medicamentos. Esté atento a lo que hace, alerta, y haga uso de sentido común.
- Mantenga alejados a los niños y transeúntes alejados mientras maneja la máquina. Las distracciones pueden provocar la pérdida de control de la máquina.
-  Utilice lentes protectores, mascarillas protectora del polvo y protección de oídos. El equipo de seguridad apropiado puede reducir lesiones si se utiliza correctamente.

Indicaciones sobre el mantenimiento y reparación:

- Por razones de seguridad, es imprescindible limpiar con regularidad la máquina, particularmente los dispositivos de ajuste y de guía.
- Solo se pueden utilizar piezas de repuesto y accesorios originales de MAFELL. De lo contrario no se aceptarán reclamaciones de garantía ni el fabricante asumirá ninguna responsabilidad.
- **Cree un plan de mantenimiento periódico para su máquina. Cuando limpie la máquina, no desmonte ninguna pieza, porque es posible que coloque mal el cableado interno, se enganche o monte erróneamente los muelles de retorno del dispositivo protector.** Existen algunos detergentes, como gasolina, tetracloruro de carbono, amoníaco etc. pueden dañar las piezas de plástico.
- **Una parte del polvo que se genera al serrar, lijar, taladrar y otros trabajos, contiene productos químicos, que se conoce que pueden causar cáncer, defectos de nacimiento u otros daños reproductivos. Algunos ejemplos de esos productos químicos:**
 - Plomo de pinturas con base de plomo,
 - Ácido salicílico cristalino de ladrillos y cemento y otros productos para la construcción de muros.
 - Arsénico y cromo de maderas tratadas.

El riesgo de peligro depende de la frecuencia con la que realice este trabajo. Para reducir el riesgo por estos productos químicos: trabaje en una zona bien aireada y use protección de seguridad, como mascarillas contra el polvo desarrolladas especialmente para filtrar las micropartículas.

3.4 Reglas de seguridad específicas

Procedimiento de sierra

- **Mantenga las manos fuera de la zona de corte, evitando cualquier contacto con la hoja de sierra. Sujete con la segunda mano la empuñadura adicional o la carcasa del motor.** Si las dos manos sujetan la sierra, no se pueden lesionar con la hoja de sierra.

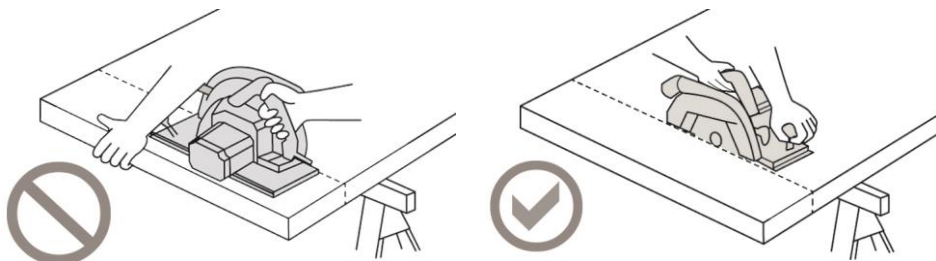


Fig. 63: Serrar erróneamente y serrar correctamente

- **No coloque nunca las manos debajo de la pieza de trabajo.** La funda protectora no le puede proteger de la hoja de sierra debajo de la pieza de sierra.
- **Ajuste la profundidad de corte según el espesor de la pieza de trabajo.** Debe quedar visible menos de una altura de dientes completa debajo de la pieza de trabajo.
- **No sujete nunca la pieza de trabajo con la mano ni la coloque sobre la pierna. Fije la pieza de trabajo sobre un soporte estable.** Es importante fijar bien la pieza de trabajo. Eso minimiza el riesgo de contacto con el cuerpo, que se enganche la hoja de sierra o se pierda el control sobre la máquina.
- **Sujete la máquina por las superficies de agarre aisladas cuando realice trabajos en los que pueda encontrar conductos de corriente escondidos o el propio conducto de conexión al utilizar la herramienta.** El contacto con un conducto transmisor de corriente pone en tensión las piezas de metal de la herramienta eléctrica y provoca una descarga eléctrica.
- **Para realizar cortes longitudinales, utilice siempre un tope o guía de borde recto adecuado.** Esto mejora la exactitud de corte y reduce las posibilidades de que la hoja de corte quede enganchada.
- **Utilizar siempre hojas de sierra del tamaño apropiado con broca apropiada (p. ej. en forma de gato o redondeado).** Las hojas de sierra que no se ajustan a las piezas de montaje de la sierra, funcionan de forma irregular y provocan la pérdida de control.
- **No utilice nunca arandelas o tornillos dañados o inapropiados para fijar el disco de sierra.** Las arandelas y tornillos de la hoja de sierra han sido construidas especialmente para su sierra, para un rendimiento y seguridad en el funcionamiento óptimos.

Rebote - Causas y las indicaciones de seguridad correspondientes

- Un rebote es una reacción repentina debido a una hoja de sierra enganchada, atascada o mal colocada que hace que la hoja se levante de forma incontrolada y se salga de la pieza de trabajo en dirección del operario.
- Si la hoja de sierra se engancha o atasca en la ranura de sierra, se bloquea y la potencia del motor golpea la sierra en dirección al operario.
- Si la hoja de sierra se gira en el corte de sierra o se coloca mal, se pueden enganchar los dientes del borde trasero de la hoja en la superficie de madera. Al hacer esto, la hoja de sierra se sale de la ranura y la sierra salta hacia atrás en dirección al operario.

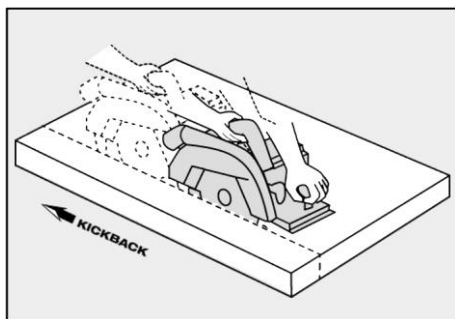


Fig. 64: Rebote de la máquina

El rebote es la consecuencia de un uso erróneo o fallido de la sierra. Se puede evitar si se toman las precauciones descritas a continuación.

- **Sujete la máquina con las dos manos y coloque los brazos en una posición que permita compensar las fuerzas de rebote de la misma. No realice nunca cortes sujetando la máquina directamente ante el cuerpo.** En caso de rebote, la sierra circular puede saltar hacia atrás, pero el operario puede resistir las fuerzas de rebote mediante las medidas de precaución apropiadas.
- **Si la hoja de sierra se engancha o interrumpe el trabajo, desconecte la sierra y mantenga el material quieto hasta que la hoja de sierra se pare. No intente nunca alejar la hoja de la pieza de trabajo ni tirar hacia atrás mientras la hoja de sierra esté en movimiento, de lo contrario puede sufrirse un rebote.** Averigüe y solucione el motivo del enganche de la hoja de sierra.
- **Antes de volver a arrancar la máquina puesta en la pieza de trabajo, centre el disco de sierra en la ranura de corte y compruebe que no está bloqueado el dentado.** Si la hoja de sierra se engancha, se puede salir de la pieza de trabajo y provocar un rebote si se reinicia la sierra.

- **Siempre que se corten placas de grandes dimensiones, éstas se deben apoyar para evitar golpes al bloquearse el disco de sierra.** Las placas grandes se puede doblar por su propio peso. Las placas tienen que tener un soporte por ambos lados, tanto cerca de la ranura de la sierra como en el borde.

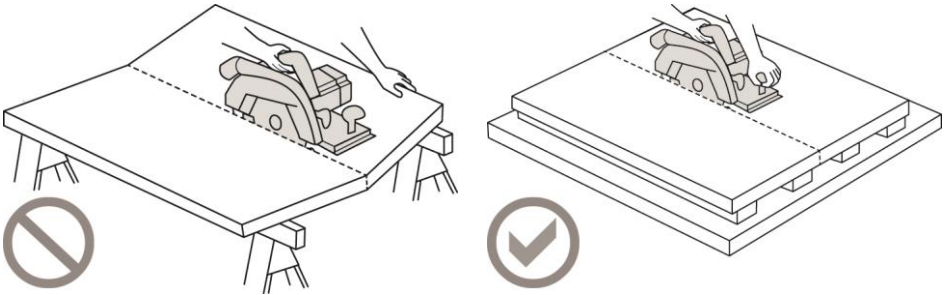


Fig. 65: Apoyo erróneo y apoyo correcto



- **No utilice nunca hojas de sierra despuntadas o dañadas.** Las hojas de sierra con dientes romos o mal colocados provocan un mayor roce, enganches de la hoja de sierra y rebotes por una ranura de sierra demasiado estrecha.
- **Antes de proceder a cortar, fije los dispositivos para ajustar la profundidad y el ángulo de corte.** Si durante la sierra se cambian las configuraciones, se puede enganchar la hoja de sierra y provocar un rebote.
- **Ponga especial precaución al serrar paredes existentes u otras zonas que no se vean.** La hoja de sierra insertada se puede bloquear al serrar en objetos ocultos y provocar un rebote.

Funcionamiento de la cubierta de protección

- **Antes de cada uso, comprobar si el disco de sierra puede desplazarse hacia abajo fuera del funda protectora después de accionar el bloqueo de conexión y que vuelve a su posición totalmente retraída y se bloquea al soltar la carga.** Si cae la sierra al suelo de forma involuntaria, se puede doblar la funda protectora. Asegurarse de que el disco de sierra se mueve sin problemas y no toca la funda protectora ni otras piezas en ningún ángulo de corte.
- **Compruebe el funcionamiento del resorte de la funda protectora. En caso de anomalías en la cubierta o el resorte, entregue la máquina al servicio técnico.** Las piezas dañadas, los depósitos pegajosos o la acumulación de virutas hacen que la funda protectora trabaje con retraso.
- **No colocar el disco de sierra n el banco de trabajo o en el suelo sin que esté plegada total,** Un disco de sierra sin protección que sigue funcionando, mueve la sierra en la dirección contraria al corte y sierra lo que tenga delante. Tenga en cuenta el tiempo de marcha en inercia de la hoja de sierra.

GUARDAR ESTAS INSTRUCCIONES!

3.5 Dispositivos de seguridad



 Peligro	
	<p>Peligro de lesiones por falta de dispositivos de seguridad</p> <p>Los dispositivos descritos garantizan la seguridad en el trabajo con esta máquina, por lo tanto, no se pueden desmontar ni desactivar.</p> <ul style="list-style-type: none"> ➤ Compruebe el funcionamiento de los dispositivos de seguridad y posibles daños antes de empezar a trabajar. ➤ No utilice la máquina si faltan dispositivos de seguridad o no hacen efecto.

La máquina ofrece los siguientes dispositivos de seguridad:

Dispositivo de seguridad	Tipo de revisión
Funda protectora fija	Control óptico de daños Control de funcionamiento (presionar el disco de sierra hasta la profundidad de corte completa y retorno sin sacudida brusca en la posición final superior y encajar en esta posición)
Placa de soporte grande	Control óptico de daños y deformaciones
Agarraderas	Control óptico de daños
Dispositivos de conexión y desconexión y freno	Control de funcionamiento (tiempo de freno máx. 7 segundos)
Tubo de aspiración	Control óptico de daños y obstrucción

En caso de daños o de funcionamiento erróneo de los dispositivos de seguridad, respete las indicaciones del capítulo Solución de averías. En cualquier otro caso, consulte a su distribuidor o directamente al servicio técnico de MAFELL.

3.6 Riesgos restantes

 Advertencia	
	<p>Riesgo de lesiones al trabajar con la máquina</p> <p>A pesar de utilizar la máquina conforme al uso proyectado y respetando todas las normas de seguridad aplicables, siguen existiendo riesgos, debido a la finalidad de uso, que pueden tener consecuencias para la salud.</p> <ul style="list-style-type: none"> ➤ Respete las indicaciones de seguridad y la información de este manual. ➤ Trabaje siempre con máxima atención y precaución cuando manipule la máquina.

Los riesgos restantes incluyen:



- Contacto con la hoja de sierra en la zona de comienzo de corte debajo de la placa de soporte.
- Contacto con la parte saliente de la hoja de sierra en la parte inferior de la pieza de trabajo durante el corte.
- Contacto lateral con los siguientes elementos giratorios: Hoja de sierra, brida de sujeción y tornillo de brida.
- Retroceso de la máquina al atascarse con la pieza de trabajo.
- Rotura o desprendimiento de la hoja de sierra o de partes de la misma.
- Daños al oído debido al trabajo intensivo sin la protección adecuada.
- Emisión de polvo de madera, nocivo para la salud, durante el trabajo intensivo sin el conveniente sistema de aspiración.

4 Equipamiento / Ajustes

4.1 Alimentación de red

Antes de poner en marcha la máquina, asegúrese de que la tensión de red se corresponda con la tensión de servicio indicada en la placa de identificación de la máquina.

4.2 Montaje de la toma de conexión

 Advertencia	
	<p>Descarga eléctrica al cortar el conducto de conexión</p> <p>Un conducto de conexión puede afectar al funcionamiento de la seguridad y el trabajo y puede entrar en contacto con la herramienta de corte. Si se corta el conducto de conexión propio, las piezas de metal de la máquina estarán en tensión y se provocará una descarga eléctrica. Existe de riesgo de que el usuario sufra lesiones.</p> <ul style="list-style-type: none"> ➤ Cuando trabaje preste atención al montaje del conducto de conexión. ➤ No corte su propio conducto de conexión.

Para el montaje del conducto de conexión, proceda de la siguiente manera:

1. Introduzca el conducto de conexión en la dirección del casquillo del cable, en la dirección contraria a la máquina.
 - Ayúdese con el cierre tipo velcro en las boquillas de aspiración.
2. Mantenga el conducto de conexión lo más separado posible de la herramienta de trabajo.
 - ✓ Cable de conexión colocado.



Fig. 66: Montaje del cable de conexión

4.3 Sistema de aspiración de virutas

Precaución



Riesgos para la salud por el polvo de madera

Los polvos que se generan al trabajar, se aspiran y pueden causar daños a la salud.

- Los polvos nocivos para la salud tienen que aspirarse con un aspirador HEPA 13.
- Utilice al trabajar una mascarilla contra el polvo.

Cuando corte materiales que provoquen la formación masiva de polvo, conecte la máquina con un sistema de aspiración externo adecuado. La velocidad mínima del aire tiene que ser de 20 m/s [65 ft/sec].

El diámetro interior de la boquilla de aspiración es de 35 mm [1.4 in].

4.4 Selección de la hoja de sierra

Para asegurar una calidad de corte óptima, utilice una herramienta bien afilada y seleccione la herramienta de la siguiente lista según el material y el uso:

Cortar madera blanda y dura transversalmente al sentido de la fibra:

- Disco de sierra HM Ø 160 x 1,8 x 20 mm, 32 dientes [Ø 6.30 x 0.07 x 0.79 in]

Cortar madera blanda y dura especialmente longitudinalmente a la dirección de la fibra:

- Disco de sierra HM Ø 160 x 1,8 x 20 mm, 16 dientes [Ø 6.30 x 0.07 x 0.79 in]

Cortar madera blanda y dura transversalmente al sentido de la fibra:

- Disco de sierra HM Ø 162 x 1,8 x 20 mm, 48 dientes [Ø 6.38 x 0.07 x 0.79 in]

Cortar madera blanda y dura especial en trasversal al sentido de la fibra "Cortes de precisión":

- Disco de sierra HM Ø 160 x 1,8 x 20 mm, 56 dientes [Ø 6.30 x 0.07 x 0.79 in]

Cortar materiales aislantes de fibra de madera:

- Disco de sierra HM Ø 160 x 1,8 x 20 mm, 32 dientes [Ø 6.30 x 0.07 x 0.79 in]




Cortar plásticos (poliestireno):

- Disco de sierra HM Ø 160 x 1,8 x 20 mm, 16 dientes [Ø 6.30 x 0.07 x 0.79 in]

Cortar planchas de fibrocemento:

- Disco de sierra de diamantes Ø 160 x 3,0 x 20 mm, 4 dientes [Ø 6.30 x 0.12 x 0.79 in]

4.5 Cambio de la hoja de sierra

 Precaución	
 	<p>Riesgo de lesiones por el disco de sierra afilado</p> <p>El disco de sierra está afilado. Se puede lesionar al cambiar el disco de sierra.</p> <ul style="list-style-type: none"> ➤ Utilizar guantes protectores para cambiar el disco de sierra. ➤ Proceder con precaución a la hora de cambiar el disco de sierra.

Para cambiar la funda protectora móvil, proceder de la siguiente manera:

1. Desenchufe la máquina.
2. Pose el cable a la vista.
3. Coloque la máquina desenchufada en una superficie plana.
4. Accionar y mantener pulsado el pulsador 9.
5. Tirar de la palanca de bloqueo 8 hacia arriba.
 - La tapa de la funda protectora está desbloquea y se puede abrir hacia el lateral. El eje de la sierra y la palanca de mando se bloquea automáticamente.

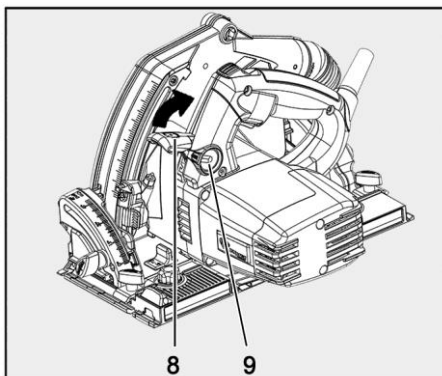


Fig. 67: Desbloquear la tapa de la funda protectora

6. Abra hacia el lateral la tapa de la funda protectora.

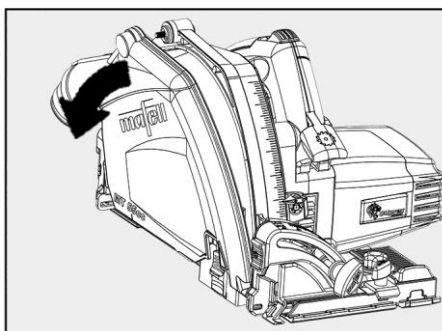


Fig. 68: Abrir la tapa de la funda protectora

7. Aflojar el tornillo de brida 16 con ayuda de la llave hexagonal B en la dirección contraria a las agujas del reloj.
8. Desmonte el tornillo de brida 16 y la brida de sujeción delantera 17.
9. Desmonte la hoja de sierra usada.
 - Las bridas de sujeción tienen que estar libres de cuerpos extraños.
 - Ahora se puede montar la hoja de sierra nueva.

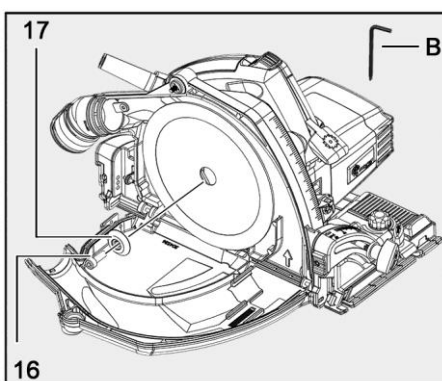


Fig. 69: Retirar la hoja de sierra usada

10. Coloque la nueva hoja de sierra 18 sobre la brida trasera 20.
 - Preste atención al sentido de giro a la hora de montar la hoja de sierra. Los dientes de la sierra o la flecha de la hoja de sierra 18 tienen que estar orientados hacia la flecha 19 de la máquina.
11. Insertar la brida de sujeción 17 y el tornillo de brida 16.
12. Girar el tornillo de brida 16 con ayuda de la llave hexagonal B **en la dirección de las agujas del reloj.**
 - La hoja de sierra está fijada.

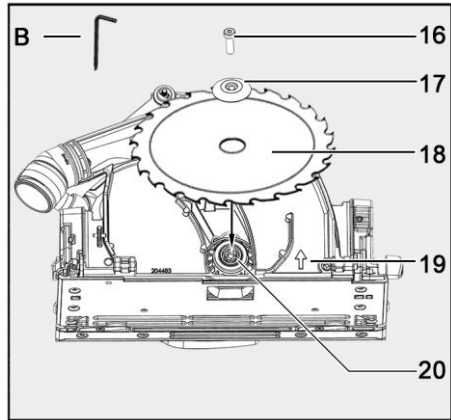


Fig. 70: Cambiar la hoja de sierra

13. Cerrar la cubierta de protección.
14. Presionar la palanca de bloqueo 8 hacia abajo.
 - El mecanismo de bloqueo del eje de la sierra está desactivado.
 - La palanca de conmutación está desbloqueada.
 - ✓ Se ha cambiado la hoja de sierra.

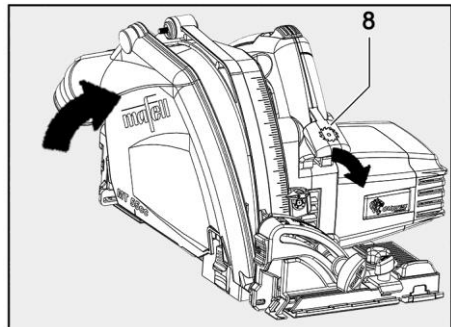


Fig. 71: Cerrar la tapa de la funda protectora

5 Funcionamiento

5.1 Puesta en funcionamiento

Advertencia

Cada persona encargada del manejo de la máquina ha de estar familiarizada con el manual de instrucciones y, en particular, con el apartado "Instrucciones de seguridad".

5.2 Conectar

Para conectar la máquina, proceder de la siguiente manera:

1. Presionar el dispositivo de bloqueo de conexión 4 hacia delante para desbloquear.
2. Accionar y sujetar la palanca de mando 6 con el dispositivo de bloqueo de conexión presionado.
3. Suelte el dispositivo de bloqueo 4.
 - ✓ La máquina está conectada

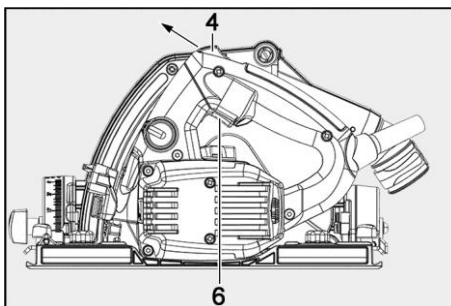


Fig. 72: Conectar la máquina



Puesto que se trata de un interruptor sin bloqueo, la máquina sólo funcionará manteniendo accionada esta palanca.

5.3 Ajuste de la velocidad de marcha

Para ajustar la velocidad, proceder de la siguiente manera:

1. Ajustar el nivel con la rosca de ajuste 7.
 - Con la rosca 7 se puede configurar la velocidad de la hoja de sierra sin etapas entre 3600 y 6200 rpm.
 - ✓ Se ha ajustado la velocidad.

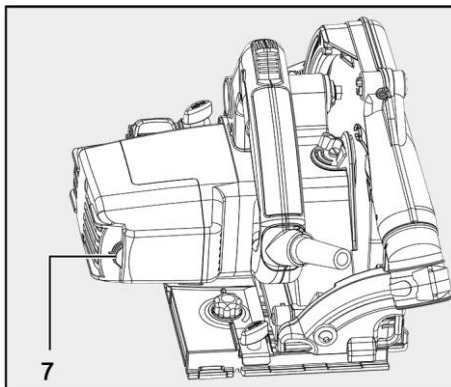


Fig. 73: Ajustar la velocidad con la rosca

Consulte la siguiente tabla para el ajuste correcto de la velocidad de la hoja de sierra según el uso:

Materiales	Nivel	Velocidad rpm
Plásticos (poliestireno)	1	3600
Plásticos (poliestireno)	2	4100
Madera dura, madera blanda, madera laminada, materiales aislantes de fibra de madera, planchas de fibrocemento	3	4700
Madera dura, madera blanda, madera laminada, materiales de planchas revestidas, planchas de fibrocemento	4	5200
Madera dura, madera blanda, madera laminada, materiales de planchas revestidas, placas de fibrocemento	5	5700
Madera dura, madera blanda, madera laminada, materiales de planchas revestidas, fibras blandas	6	6200

5.4 Desconexión

Para desconectar la máquina, proceder de la siguiente manera:

1. Suelte la palanca de mando 6.
 - Gracias al freno automático integrado, el tiempo de funcionamiento hasta la parada del disco de sierra se reduce a unos 5 segundos, aproximadamente.
 - Se activará de nuevo el dispositivo de bloqueo de conexión para evitar que la sierra circular manual se ponga en marcha sin querer.
 - ✓ La máquina está desconectada.

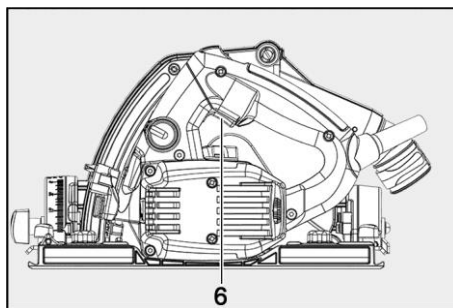


Fig. 74: Desconectar la máquina



Tan pronto como el tiempo de frenada dure más de 7 segundos, solicite la revisión de la máquina y monte una nueva pastilla de freno.

5.5 Ajuste de la profundidad de corte

La profundidad de corte se puede ajustar de forma continua dentro de un rango de 0 a 57 mm [0 a 2.24 in].

Para ajustar la profundidad de corte, proceder de la siguiente manera:

1. Gire el indicador 1, dependiendo de si trabaja con o sin barra guía (accesorio especial).
 - Posición superior = Con barra guía
 - Posición inferior = Sin barra guía

Al usar una barra guía se reduce la profundidad de corte 6 mm [0.24 in].

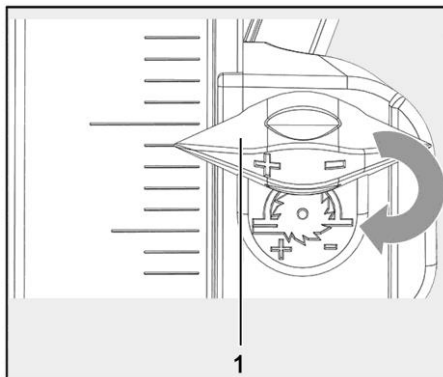


Fig. 75: Posición del indicador profundidad de corte

2. Ajuste la profundidad de corte 1 con el indicador.
 - Se puede leer la profundidad de corte en la escala 2 de la tapa. La escala está dividida en tramos de 1 mm.
 - Para reajustar la profundidad de corte, puede girar el tornillo cilíndrico 21 con la llave hexagonal B. Una vuelta corresponde a una modificación de 1 mm [0.04 in] en la profundidad de corte.
 - ✓ Se ha ajustado la profundidad de corte.

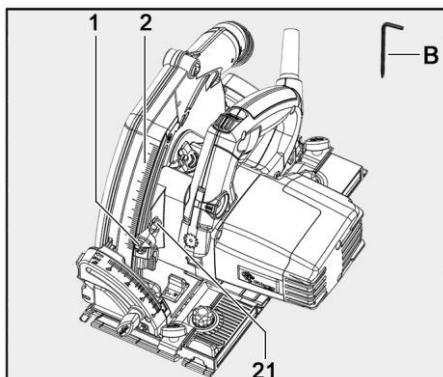


Fig. 76: Ajustar la profundidad de corte



Ajuste la profundidad de corte para cortes de separación siempre a 2 - 5 mm [0.08 bis 0.2 in] superior al espesor del material a cortar.

5.6 Ajustes para cortes inclinados

Para realizar cortes inclinados, se puede inclinar el grupo sierra de 0° hasta 45°.

Para ajustar el equipo de sierra para cortes inclinados, proceder de la siguiente manera:

1. Para inclinar el equipo de sierra, coloque la máquina de forma que se pueda girar.
2. Afloje el tornillo mariposa 12 .
3. Ajuste el ángulo con ayuda de la escala 13 en la unidad de giro.
4. A continuación, fije el tornillo mariposa 12.
 - ✓ El equipo de sierra está ajustado al ángulo deseado para el corte inclinado.

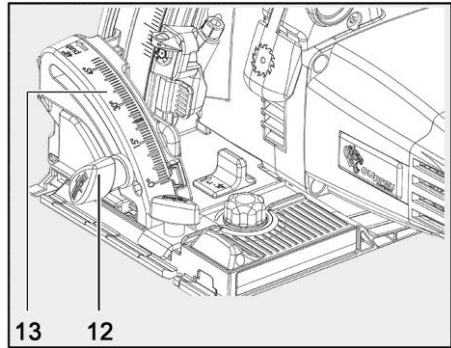


Fig. 77: Ajustar el equipo de sierra para cortes inclinados

También se puede ajustar la máquina a -1° o 48° .

Para ajustar el equipo de sierra a -1° proceder de la siguiente manera:

1. Tirar de la corredera 10 en la dirección de la flecha hacia atrás y sujetar bien.
2. Ajuste el ángulo de la máquina a -1° .
 - ✓ El equipo de sierra está ajustado a -1° .

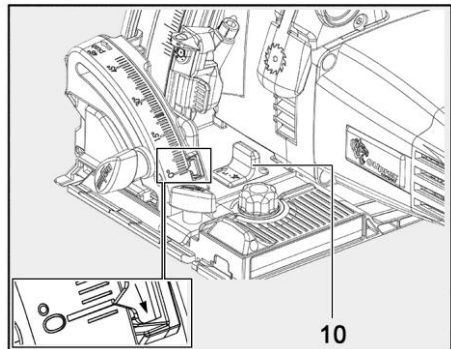


Fig. 78: Ajustar el equipo de sierra a -1°

Para ajustar el equipo de sierra a 48° proceda de la siguiente manera:

1. Presionar el tope 14 del lateral de la máquina hacia abajo y sujetar bien.
2. Ajuste el ángulo de la máquina a 48° .
 - ✓ El equipo de sierra está ajustado a 48° .

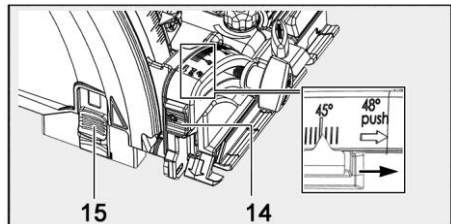


Fig. 79: Ajustar el equipo de sierra a 48°

Para cada ángulo en cortes inclinados, se puede desplazar la corredera 15 para que quede colocada sobre la pieza de trabajo y minimice la salida de polvo al serrar.

5.7 Cortes de incisión

Advertencia



Si se realizan cortes de incisión, existe peligro de retroceso.

Al realizar cortes de incisión, la máquina puede rebotar si se atasca. Esto puede causar lesiones graves.

- Antes de realizar un corte de incisión, fije la máquina por el borde posterior de la placa de soporte en un tope fijado de forma segura en la pieza de trabajo.
- Durante el corte de incisión, sujete la máquina por la agarradera y desplácela con cuidado hacia delante.

Para realizar un corte de incisión, proceder de la siguiente manera:

1. Alinear la máquina a la pieza de trabajo.
 - Las marcas 22 en la cubierta de la funda protectora inferior y la corredera sirven para indicar la zona de corte del disco de sierra hasta que se haya introducido toda la profundidad de corte. Para otras profundidades de corte, consultar el capítulo inferior 5.10.3 indicador de posición descrito MT-PA
2. Conectar la sierra de inmersión y desplazarse hasta la profundidad de corte ajustada.
3. Desplace la máquina de forma uniforme en la dirección de corte.
4. Desconecte la máquina después de finalizar el corte.
5. Volver a la posición de bloqueo superior.
 - ✓ Se ha realizado el corte de incisión.

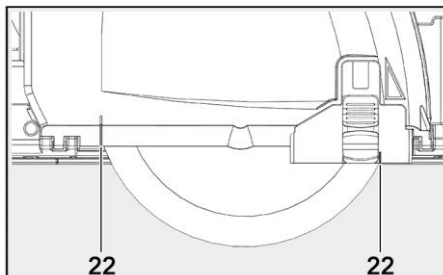


Fig. 80: Realizar el corte de incisión.

5.8 Serrar por la línea de trazado

La plancha base tiene un indicador de corte móvil que se adapta automáticamente al realizar cortes inclinados. Este canto de trazado 23 corresponde al lateral interior (lateral orientado hacia el motor) de la hoja de sierra.

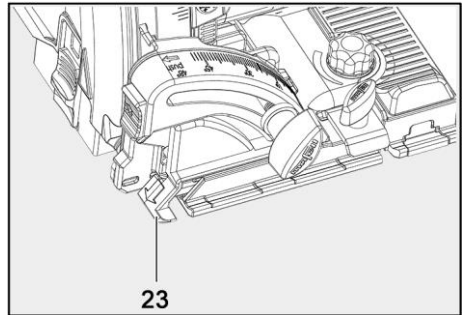


Fig. 81: Canto de trazado

Para serrar según el trazado, proceder de la siguiente manera:

1. Para cortar, sujete la máquina por las agarraderas y coloque la parte delantera de la placa de soporte sobre la pieza de trabajo.
2. Coloque el canto de trazado 23 en el canto de la pieza de trabajo.
3. Conecte la máquina.
4. Realice el corte de incisión hasta la profundidad ajustada y avance con regularidad en la dirección de corte.
5. Procurar que el canto de trazado 23 se desplace por el trazado marcado.
6. Desconecte la máquina después de finalizar el corte.
7. Volver a la posición de bloqueo superior.
 - ✓ Finalizada sierra por la línea de trazado.

5.9 Cortar con tope paralelo

Con ayuda del tope paralelo C se pueden realizar cortes paralelos a los bordes existentes. El tope puede fijarse tanto en el lado derecho (lateral del motor) como en el lado izquierdo (lateral de la herramienta) de la máquina. La distancia ajustable posible del lateral derecho es de 190 - 320 mm [7.48 - 12.60 in] y en la parte izquierda de 40-130 mm [1.57 - 5.12 in].

Para comprobar el ancho ajustado, utilice un medio de medición adicional (como una barra de metro) para ajustar el tope paralelo a la medida correcta (borde del tope paralelo a la línea de corte).

Para colocar el tope paralelo, proceder de la siguiente manera:

1. Aflojar los tornillos de mariposa 5 en ambos lados.
2. Coloque el tope paralelo C en la guía prevista para ello.
 - Se puede colocar en la parte izquierda o derecha de la máquina.
3. Apretar de nuevo los tornillos mariposa 5 de cada lateral.
 - ✓ Se ha colocado el tope paralelo.

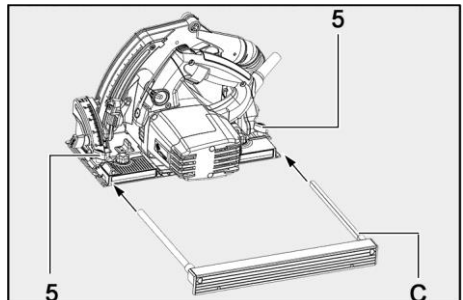


Fig. 82: Colocar el tope paralelo

Para modificar el ancho de corte, proceder de la siguiente manera:

1. Aflojar los tornillos de mariposa 5 en ambos lados.
2. Modificar el tope paralelo.
3. Apretar de nuevo los tornillos mariposa 5 de cada lateral.
 - ✓ Se ha modificado el ancho de corte.

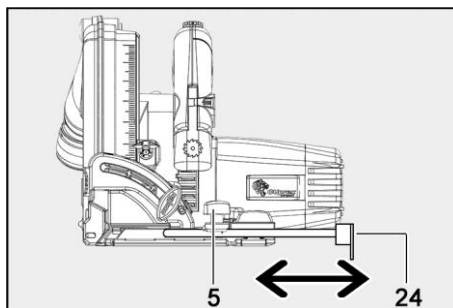


Fig. 83: Ajustar el ancho de corte con el tope paralelo



Adicionalmente, con un simple giro del tope paralelo (la brida guía 24 indica hacia arriba), se puede usar también como soporte doble para guiar mejor la sierra circular manual.

Se puede guiar la máquina también con el tope paralelo contra una barra guía fijada a la pieza de trabajo o regleta de madera. Para ello se tiene que girar el tope paralelo, para que la lengüeta guía 24 mire hacia arriba.

5.10 Trabajar con accesorios especiales

Para la máquina se pueden adquirir diferentes accesorios especiales. Encontrará una lista en el capítulo 8 Accesorios especiales.

A continuación se explicarán diferentes tipos de uso.

5.10.1 Trabajar con el carril guía



La sierra de incisión únicamente se podrá utilizar con los rieles guía previstos (accesorio especial).

Para ajustar la guía con el riel, proceder de la siguiente manera:

1. Ajuste las dos roscas de ajuste 11, para que la máquina entre en la guía sin holgura.
 - ✓ Guía ajustada.

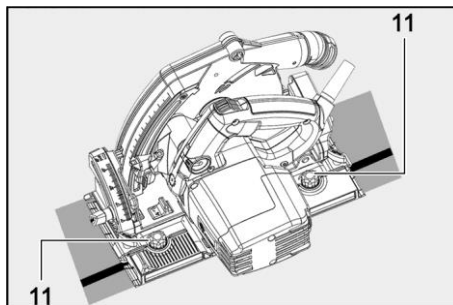


Fig. 84: Ajustar la holgura de la guía

También se pueden utilizar también varios rieles guía de otros fabricantes. Para ello retirar el inserto colocado en la parte inferior de la máquina.

Para retirar ese inserto, proceder de la siguiente manera:

1. Aflojar los tornillos 25 del inserto 26.
2. Sacar el tornillo del inserto 26.
 - La ranura que queda ahora sirve para colocar la máquina en otros rieles guía.
 - ✓ Inserto retirado.

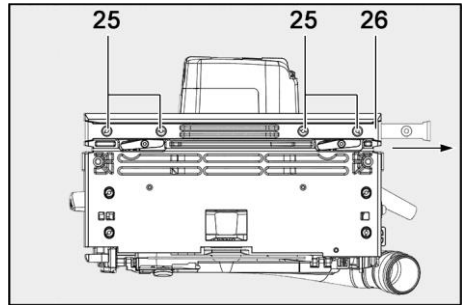


Fig. 85: Retirar el inserto para el riel de otro fabricante

5.10.2 Rasgar con ayuda del riel guía



Para evitar que se rompa la superficie de los materiales de planchas revestidas, utilice la función de rasgado de la máquina para los trabajos con riel guía. La profundidad de corte se limita a 2,5 mm [0.1 in] y el disco de sierra se desplaza levemente hacia la línea de corte.

Para utilizar la función de rasgado de la máquina, proceder de la siguiente manera:

1. Fijar un riel guía en la pieza de trabajo.
2. Colocar la máquina con la ranura de guía sobre el riel guía.
3. Girar la rosca de rasgado 3 hasta el tope en el sentido de las agujas del reloj.
 - La profundidad de rasgado está ajustada ahora a 2,5 mm [0.1 in]

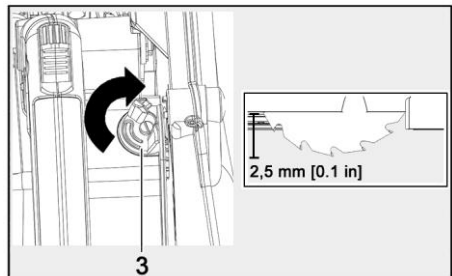


Fig. 86: Activar la función de rasgado

4. Rasgar la plancha.
5. Girar la rosca de rasgado 3 hacia atrás en el sentido contrario a las agujas del reloj.
 - Ahora se puede mecanizar la pieza de trabajo con toda la profundidad de corte.
 - ✓ Se ha utilizado la función de rasgado de la máquina

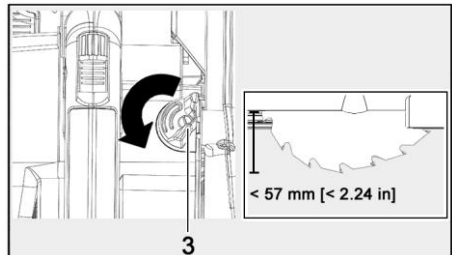


Fig. 87: Desactivar la función de rasgado

5.10.3 Trabajar con el indicador de posición

Para cortes de inmersión con una profundidad de corte fija de 50/25/12,5/10 mm [1.97/0.98/0.49/0.39 in], se recomienda usar un indicador de posición. Así se puede calcular la zona de corte exacta del corte inmersión.

Para utilizar el indicador de posición, proceder de la siguiente manera:

1. Enganchar el indicador de posición en los orificios previstos para ello.
 - Si se utiliza un riel guía, seleccionar los dos orificios inferiores (ver 1a).
 - Sin riel guía, utilizar los dos orificios superiores (ver 1b).

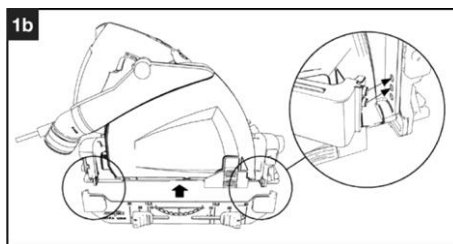
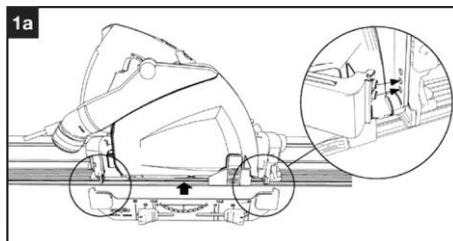


Fig. 88: Enganchar el indicador de posición

2. Dependiendo del grosor de la plancha que se va a cortar, se configura la profundidad de corte en la máquina.
 - Consultar para ello el capítulo 5.5 Ajuste de la profundidad de corte.

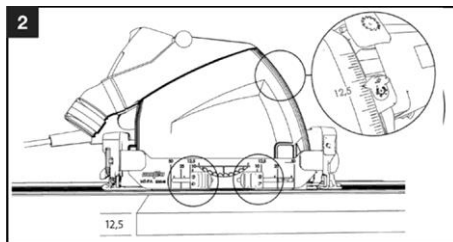


Fig. 89: Ajustar la profundidad de corte

3. Ajustar una de las correderas rojas del indicador de posición al mismo valor que la profundidad de corte.
4. Ajustar el mismo valor en la corredera del otro lateral.
 - La zona de corte para el disco de sierra está entre las dos correderas rojas.
 - ✓ Se ha utilizado el indicador de posición.

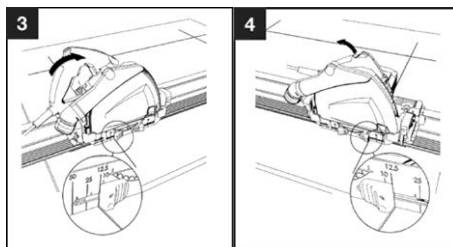


Fig. 90: Ajustar el indicador de posición a la profundidad de corte

5.10.4 Cortar planchas de fibrocemento con el disco de sierra de diamantes



El disco de sierra de diamantes ha sido desarrollado para cortar placas de fibrocemento. Los dientes de diamantes son más sensibles que aquellos del disco de sierra de metal duro. Por eso se tiene que trabajar con un riel guía. (ver apartado 5.10.1 Trabajar con el carril guía)

6 Mantenimiento y reparación

Las máquinas de MAFELL requieren escaso mantenimiento.

Los rodamientos de bolas utilizados están engrasados de forma permanente. Se recomienda llevar la máquina a un centro de servicio al cliente autorizado de MAFELL para su revisión después de algún tiempo de funcionamiento.

6.1 Almacenaje

Limpiar cuidadosamente la máquina si no se va a utilizar durante un largo período de tiempo. Pulverizar piezas de metal fino con un producto antioxidante.

7 Eliminación de fallos técnicos

Advertencia



Riesgo de lesiones si la máquina se conecta de repente.

Las distracciones al trabajar con la máquina o al solucionar fallos técnicos puede hacer que la máquina se conecte de repente. Como consecuencia, se pueden producir lesiones graves con la hoja de sierra giratoria.

- La determinación y eliminación de fallos técnicos requieren siempre especial cuidado.
- Desenchufar antes de solucionar fallos técnicos.

A continuación, se indican los fallos más frecuentes y sus causas. En caso de que se produzcan otros errores, diríjase a su distribuidor o directamente al servicio técnico de MAFELL.

Fallo	Causa	Solución
No se puede poner en marcha la máquina	Poca o ninguna tensión de red	Solicitar al electricista que compruebe el suministro de tensión
	Fusible de red defectuoso	Solicitar al electricista que sustituya el fusible
	Escobillas de carbón desgastadas	Entregue la máquina a un centro de servicio al cliente autorizado de MAFELL

Fallo	Causa	Solución
La máquina se para durante el corte	Falta de tensión	Solicitar a un electricista que compruebe los fusibles del lado de la red
	Sobrecarga de la máquina	Disminuya la velocidad de avance
	Escobillas de carbón desgastadas	Entregue la máquina a un centro de servicio al cliente autorizado de MAFELL
El disco de sierra se atasca al avanzar la máquina	Velocidad de avance excesiva	Disminuya la velocidad de avance
	Hoja de sierra roma	Suelte el interruptor de inmediato. Aleje la máquina de la pieza de trabajo y cambie el disco de sierra.
	Tensiones en la pieza de trabajo	Máxima precaución al serrar, aumenta el riesgo de rebote.
	Mala guía de la máquina (p.ej. si se guía con la mano sin apoyar)	Utilice el tope paralelo
	Superficie desigual de la pieza de trabajo	Alinee la superficie
La hoja de sierra vibra en la pieza de trabajo	Hoja de sierra no ajustada correctamente	Apretar la hoja de sierra
	Pieza de trabajo no fijada	Fijar la pieza de trabajo con ganchos
El disco de sierra se para - el motor sigue funcionando	La hoja de sierra no está fijada correctamente	Apretar la hoja de sierra
Quemaduras en el corte	Hoja de sierra no apta para el proceso de corte en cuestión	Cambie la hoja de sierra
Eyector de virutas obstruido	Madera demasiado húmeda	Limpiar el eyector de virutas
	Cortar durante un período largo sin sistema de aspiración conectado	Conecte la máquina con un sistema de aspiración externo, por ejemplo un despolvoreador

8 Accesorios especiales

- Disco de sierra - HM Ø 160 x 1,8 x 20 mm, 16 dientes [Ø 6.30 x 0.07 x 0.79 in] (corte longitudinal) Referencia 092539
- Disco de sierra - HM Ø 160 x 1,8 x 20 mm, 32 dientes [Ø 6.30 x 0,07 x 0,79 in] (cortes longitudinales y transversales) Referencia 092552
- Disco de sierra - HM Ø 162 x 1,8 x 20 mm, 48 dientes [Ø 6.38 x 0.07 x 0,79 in] (corte transversal)) Referencia 092584
- Disco de sierra - HM Ø 160 x 1,8 x 20 mm, 56 dientes [Ø 6.30 x 0.07 x 0.79 in] (corte de precisión) Referencia 092553
- Disco de sierra de diamante Ø 160 x 3,0 x 20 mm, 4 dientes [Ø 6.30 x 0.12 x 0.79 in] Referencia 092474
- Riel guía F80, longitud 800 mm [31.5 in] Referencia 204380
- Riel guía F110, longitud 1100 mm [43.3 in] Referencia 204381
- Riel guía F160, longitud 1600 mm [63 in] Referencia 204365
- Riel guía F210, longitud 2100 mm [82.7 in] Referencia 204382
- Riel guía F310, longitud 3100 mm [122 in] Referencia 204383
- Tope angular F-WA Referencia 205357
- Accesorios para riel guía:
 - Gato F-SZ100MM (2 uds.) Referencia 205399
 - Pieza de unión F-VS Referencia 204363
 - Estuche para rieles F160 Referencia 204626
- Juego de estuches para rieles F80/160 con tope angular, incluyendo: F80 + F160 + pieza de unión + tope angular + 2 gatos + estuche para rieles Referencia 204749
- Juego de estuches para rieles F160/160, incluyendo: 2 x F160 + pieza de unión + 2 gatos + estuche para rieles Referencia 204805
- Parada de retroceso F-RS Referencia 202867
- Indicador de posición MT-PA Referencia 205398
- Tope paralelo Referencia 203214

9 Dibujo de explosión y lista de piezas de recambio

Encontrará la información correspondiente sobre las piezas de repuesto en nuestra página web:
www.mafell.com