

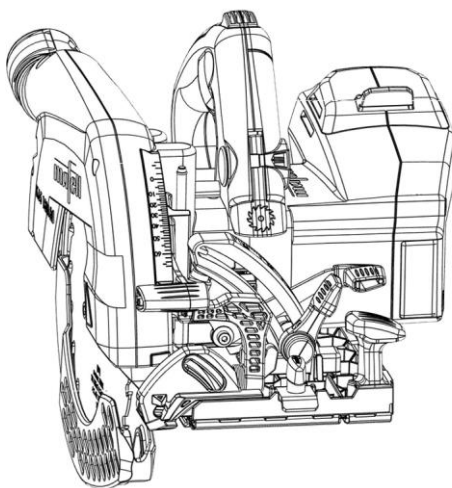
**IMPORTANT**  
Read Before Using

**IMPORTANT**  
Lire avant usage

**IMPORTANTE**  
Leer antes de usar



**Operating/Safety Instructions**  
**Consignes d'utilisation/de sécurité**  
**Instrucciones de funcionamiento y seguridad**



For English Version  
See page 2

Version française  
Voir page 32




Versión en español  
Ver la página 62

**Table of contents**

1	Signs and symbols .....	3
1.1	Identification of the device .....	5
2	Product specifications .....	5
2.1	Technical data .....	5
2.2	Scope of delivery .....	6
2.3	Adjustment elements .....	6
3	General safety .....	7
3.1	Intended use .....	7
3.2	Foreseeable misuse .....	7
3.3	Safety instructions .....	8
3.4	Specific safety rules .....	9
3.5	Safety devices .....	13
3.6	Residual risks .....	14
4	Setup / adjustment .....	14
4.1	Charging the rechargeable battery .....	14
4.2	Inserting the rechargeable battery .....	15
4.3	Removing the rechargeable battery .....	15
4.4	Chip extraction .....	16
4.5	Saw blade selection .....	16
4.6	Changing the saw blade .....	17
4.7	Riving knife .....	19
5	Operation .....	20
5.1	Startup .....	20
5.2	Switching on .....	20
5.3	Light .....	20
5.4	Switching off .....	21
5.5	Cutting depth setting .....	22
5.6	Setting for bevel cuts .....	22
5.7	Plunge cuts .....	23
5.8	Sawing along markings .....	25
5.9	Sawing with the parallel guide fence .....	25
5.10	Working with special accessories .....	27
6	Service and maintenance .....	28
6.1	Storage .....	28
6.2	Transport .....	28
6.3	Disposal of a rechargeable battery .....	28
7	Troubleshooting .....	29
8	Optional accessories .....	31
9	Exploded view and spare parts list .....	31







## 1 Signs and symbols

These operating instructions contain the following general information signs to guide you, the reader, through the operating instructions and to provide you with important information.

Sign	Meaning
	<b>Important information</b> This sign highlights user tips and other useful information.
	Identifies an intermediate result in a sequence of actions.
	Identifies the final result of a sequence of actions.





Tab. 1: General signs and their meanings

Warning icons warn of dangerous points, risks and obstacles.

Icon	Meaning
	<b>Warning</b> This sign can be found at all locations where you can find information regarding your safety. Non-observance can result in extremely serious injuries.
	Warns of danger of electric shock.
	Warns of danger caused by dust.
	Warns of the danger of cutting.
	Warns of the danger of cutting off or severing limbs.
	Warns of the danger of fire and explosion.

Tab. 2: Warning icons and their meanings




Mandatory icons are intended to prevent accidents.

Icon	Meaning
	Wear eye protection.
	Wear dust mask.
	Wear hearing protection.
	Wear protective gloves.

Tab. 3: Mandatory icons and their meanings

During the operation of the power tool there are always actions to be taken where hazards can occur. These potentially dangerous actions are preceded by warnings which must be observed.






#### Classification of the danger level (signal words) of warnings

Warning	Meaning and consequences of non-observance
	Imminent danger <b>that will cause serious or fatal injuries.</b>
	Potentially dangerous situation <b>that can cause serious or fatal injuries.</b>
	Potentially dangerous situation <b>that can cause minor injuries.</b>

Tab. 4: Structure of warnings

### 1.1 Identification of the device

The icons listed and explained below can be found on the rating plate or on the product.

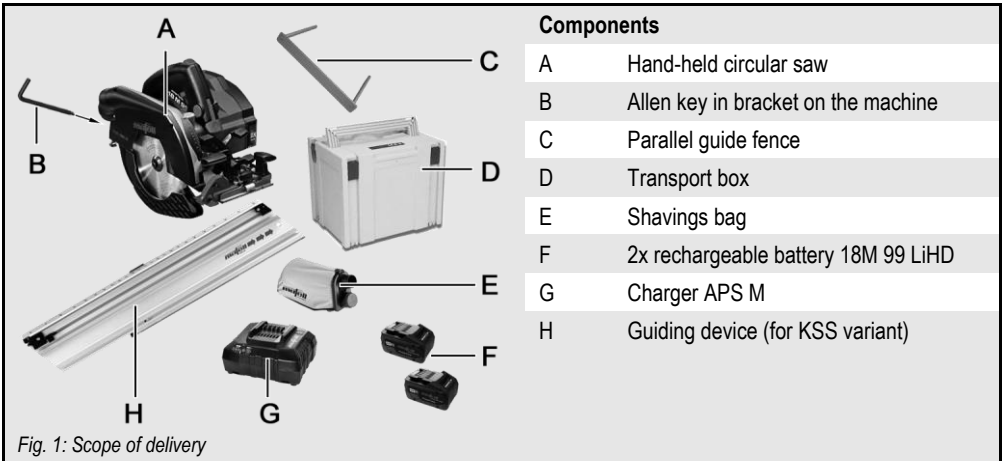
Symbol	Explanation	Symbol	Explanation
V	Volt	1, 2, 3, ... I, II, III, ...	Rotational speed setting
A	Ampere	rpm	Revolutions per minute
Hz	Hertz	∅	Saw blade diameter
W	Watt	~	Alternating current
kg	Kilogram (weight)		Protection class II
min	Minutes (time)		Read operating instructions
s	Seconds (time)		Protective goggles
n <sub>0</sub>	Rated speed at no load		Hearing protection
n	Rated speed at normal load		Dust mask

## 2 Product specifications

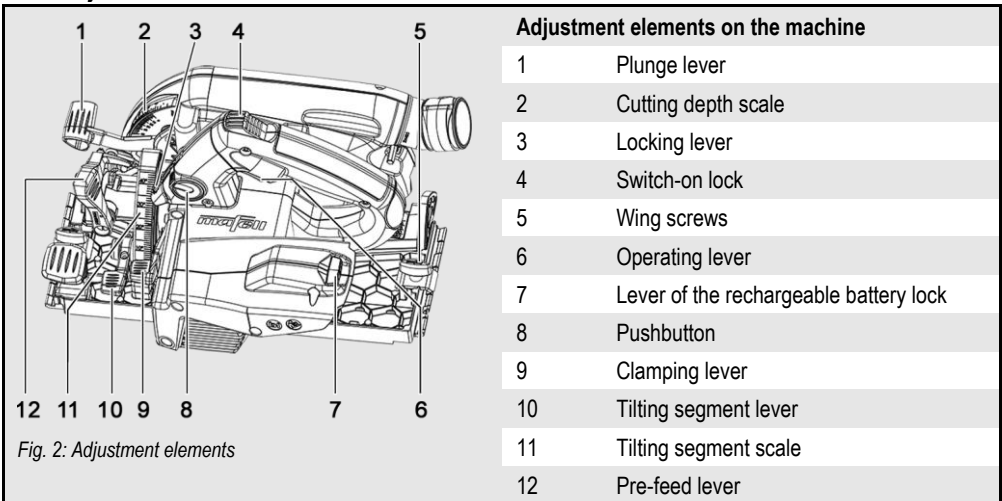
### 2.1 Technical data

Rated voltage	18 V, DC
Saw blade speed at no load	4450 rpm
Cutting depth 0°/30°/45°	66/62/53 mm [2.60/2.44/2.09 in]
Saw unit swivel range	0° to 45°
Saw blade diameter max/min	185/172 mm [7.28/6.77 in]
Saw blade body thickness	1.2 mm [0.05 in]
Tool cutting width	1.8 mm [0.07 in]
Saw blade mounting hole	20 mm [0.8 in]
Hose connector diameter	35 mm [1.4 in]
Weight with rechargeable battery, without parallel guide fence	4.4 kg [9.7 lbs]
Dimensions (width x length x height)	246 x 339 x 267 mm [9.68 x 13.35 x 10.51 in]

## 2.2 Scope of delivery



## 2.3 Adjustment elements



### 3 General safety

#### Warning

**Please read all safety instructions and directions.** Failure to comply with the safety instructions and directions can cause electric shock, fire and/or serious injuries. **Please retain all safety instructions and directions for future reference.**

#### 3.1 Intended use

The hand-held circular saw is only suitable for ripping and cross cutting of solid wood.

Panel material such as chip board, core board and medium density fiber board can also be processed.

Processing wood fiber insulation materials is also possible.

Use only saw blades that are approved by the manufacturer.

Use only the battery packs and the charger approved by the manufacturer.

#### 3.2 Foreseeable misuse

The machine is not intended for any other use than the intended use listed above.

The manufacturer is not liable for any damage resulting from such other use.

To use the machine as intended, comply with the operating, maintenance and repair conditions specified by MAFELL.

**Foreseeable misuse also includes:**

- Tampering with, removing and/or bypassing safety devices of any kind.
- Operating the machine without safety devices.
- Non-observance of safety and warning instructions in the operating instructions.
- Removing the safety and warning labels from the machine.
- Operating the machine by unauthorized persons.
- Failure to follow prescribed maintenance and care instructions.

**Never use:**


- Cracked and/or deformed saw blades.
- Saw blades made of high speed steel (HSS saw blades).
- Blunt saw blades as they impose an excessive load on the motor.
- Saw blades with a base body thicker than or a cutting width smaller than the riving knife.
- Saw blades that are not suitable for the no load speed of the saw blade.
- Grinding wheels

### 3.3 Safety instructions

#### **READ ALL INSTRUCTIONS!**

Non-observance of the instructions listed below can cause electric shock, fire and/or serious injuries

#### **Work area**

- Children and adolescents are not allowed to operate this machine.
- Protect the machine and the rechargeable batteries from moisture.
- Do not throw the rechargeable batteries into a fire.
- Never use defective or deformed rechargeable batteries.
- Never try to open the rechargeable batteries.
- Do not touch or short-circuit the contacts of the rechargeable batteries.
- A slightly acidic, flammable liquid can escape from defective rechargeable batteries! Rinse immediately with plenty of water if battery fluid gets in contact with your skin. If battery fluid gets into your eyes, wash your eyes with clean water and seek medical attention immediately!
- Remove the batteries from the machine before you adjust, set up, maintain or clean the machine.
- Ensure that the machine is switched off before you insert the rechargeable battery.
- Remove the rechargeable battery from the machine when you put it down, transport it or store it unattended.
- Do not use this machine when you are tired, or under the influence of drugs, alcohol or medicaments. Be aware of what you are doing. Stay alert and use common sense.
- Keep children and bystanders at a distance while you are operating the machine. Distractions can cause you to lose control of the machine.
-  Use eye protection, dust mask and hearing protection. Appropriate safety equipment, used under proper conditions, will reduce the risk of injuries.

#### **Instructions for service and maintenance:**

- Cleaning the machine regularly, especially the adjustment elements and the guiding devices, is an important safety factor.
- Ensure that only genuine MAFELL spare parts and accessories are used. Failure to do so will make warranty claims and the liability of the manufacturer null and void.
- **Prepare a periodic maintenance schedule for your machine. When you clean the machine, be careful not to disassemble any part of the machine. Reassembling the machine bears the risk that internal wires are routed incorrectly or pinched, or that return springs of the safety device are mounted incorrectly.** Certain cleaning agents, such as gasoline, carbon tetrachloride, ammonia, etc. can damage plastic parts.



- Some of the dust produced by sawing, sanding, drilling and other building work contains chemicals known to cause cancer, birth defects or other reproductive harm. Some examples of these chemicals are:

- Lead from lead-based paints,
- Crystalline silica from bricks and cement and other masonry products,
- Arsenic and chromium from chemically treated wood.

Your risk from this hazard varies with the frequency at which you perform this type of work. To reduce your exposure to these chemicals: Work in a well-ventilated area. Work only with approved safety equipment, such as dust masks that are specially designed to filter out particles of microscopic size.

### 3.4 Specific safety rules

#### Sawing method

- **Keep your hands away from cutting area and saw blade. Hold the auxiliary handle or the motor housing with your second hand.** If both hands hold the saw, they cannot be injured by the saw blade.

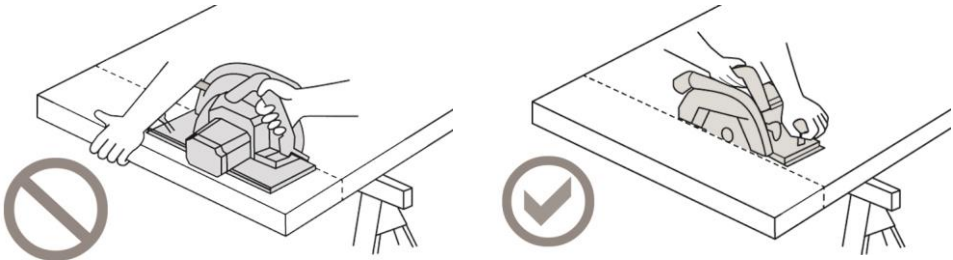


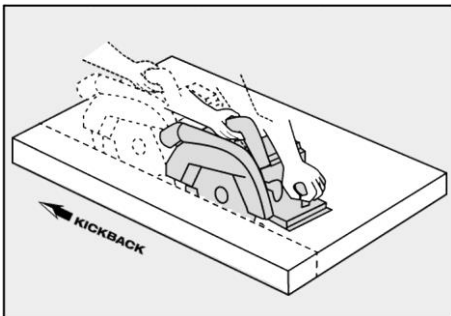
Fig. 3: Incorrect sawing vs. correct sawing

- **Do not reach underneath the workpiece.** Below the workpiece, the guard cannot protect you from the saw blade.
- **Adjust the cutting depth to the thickness of the workpiece.** Less than a full tooth height should be visible below the workpiece.
- **Never hold the workpiece in your hands or across your leg while you are cutting it. Secure the workpiece on a stable support.** It is important to secure the workpiece safely. This minimizes the risk of body contact, jamming of the saw blade or loss of control over the machine.
- **Hold the machine by the insulated grip surfaces when you perform work that involves a risk of the tool hitting hidden power lines.** Contact with a live line also energizes the metallic parts of the machine, causing an electric shock.
- **Always use a fence or straight edge guide for ripping.** This improves the cutting accuracy and reduces the possibility of the saw blade jamming.
- **Always use saw blades of the correct size and with a suitable arbor hole (e.g. diamond-shaped or round).** Saw blades that do not match the mounting parts of the saw will run out of true, resulting in a loss of control.

- **Never use damaged or wrong saw blade washers or bolts.** The saw blade washers and bolts are designed specifically for your saw, for optimal performance and operational safety.

#### **Kickback - causes and related safety instructions**

- Kickback is the sudden reaction resulting from a pinched, jammed, or misaligned saw blade that causes an uncontrolled saw to lift off and move out of the workpiece toward the operator.
- If the saw blade is pinched or jammed in the closing kerf, it will stall and the motor power will kick the saw back toward the operator.
- If the saw blade is twisted or misaligned in the saw cut, the teeth of the rear edge of the saw blade can get pinched in the wood surface, causing the saw blade to move out of the kerf and the saw to jump back toward the operator.



*Fig. 4: Kickback of the machine*

Kickback is the result of incorrect or improper use of the saw. It can be prevented by taking appropriate precautions, as described below.

- **Hold the saw firmly with both hands. Position your arms such that you can withstand kickback forces. Be sure that you are always positioned such that the saw blade is at the side of your body, never in line with it.** In the event of a kickback, the circular saw can jump backward. However, the operator can take appropriate precautions to control the kickback forces.
- **If the saw blade jams or when you stop working, switch off the saw and hold it steady in the material until the saw blade is stopped. Never try to remove the saw from the workpiece or pull it backwards as long as the saw blade is moving. This can cause a kickback.** Determine and eliminate the cause of jamming of the saw blade.

- To restart a saw that sits in the workpiece, center the saw blade in the kerf and ensure that the saw teeth are not jammed in the workpiece. A jammed saw blade can move out of the workpiece or cause a kickback when the saw is restarted.
- Support large panels to reduce the risk of a kickback from a jammed saw blade. Large panels tend to sag under their own weight. Panels must be supported on both sides: near the kerf and at the edge.

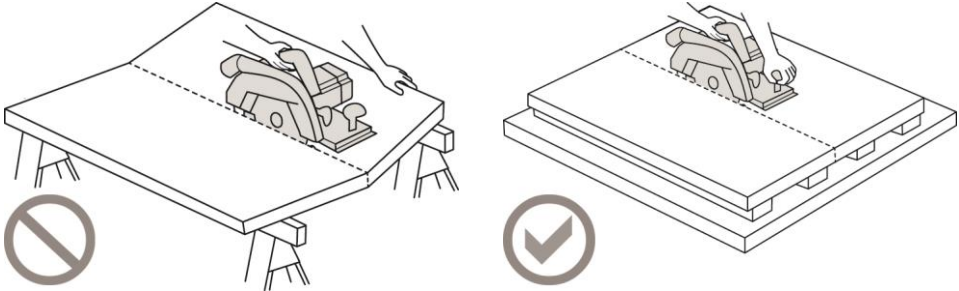


Fig. 5: Incorrect support vs. correct support

- **Never use blunt or damaged saw blades.** The kerf produced by a saw blade with blunt or incorrectly aligned teeth is too narrow, causing increased friction, jamming of the saw blade and kickback.
- **Prior to starting sawing, tighten the cutting depth and cutting angle settings.** If the settings change during the sawing process, there is a risk of a jamming saw blade and kickback.
- **Be particularly careful when sawing into existing walls or other concealed areas.** The saw blade can jam and cause kickback when cutting into hidden objects.

### Function of the lower guard

- **Before each use, ensure that the guard is closed properly. Never use the saw if the guard cannot move freely and does not close instantly. Never clamp or tie the guard. This would leave the saw blade unprotected.** The guard can be bent if the saw drops to the ground. Ensure that the guard moves freely and does not get in contact with the saw blade or other parts at all cutting angles and cutting depths.
- **Check the function of the spring for the lower guard. Have the saw serviced before use if lower guard and spring do not function properly.** Damaged parts, sticky deposits or accumulations of chips delay the operation of the lower guard.



- **Open the lower guard manually only to perform special cuts, such as "plunge cuts" or "compound cuts". Open the lower guard with the retracting lever. Release the lever as soon as the saw blade penetrates the workpiece.** For all other sawing operations, the lower guard should operate automatically.
- **Ensure that the lower guard covers the saw blade when you put the saw down on the workbench or on the floor.** An unprotected coasting saw blade moves the saw against the direction of cut and cuts whatever is in its way. Be aware of the coasting time of the saw blade.

#### **Function of the riving knife**

- **Always use the saw blade that is suitable for the riving knife.** The riving knife is only effective if the body of the saw blade is thinner than the riving knife and the tooth width is greater than the thickness of the riving knife.
- **Adjust the riving knife as described in these operating instructions.** Incorrect spacing, position and alignment can be the reason that the riving knife can not prevent kickback efficiently.
- **Always use the riving knife, with the exception of "plunge cuts".** Mount the riving knife back on after the plunge cut. The riving knife interferes with plunge cuts and can cause kickback. This section only applies to hand-held circular saws without a pivoting riving knife (known as MAFELL flip knife). The flip knife retracts into the machine during a plunge cut.
- **To be effective, the riving knife must be in the kerf.** In short cuts, the riving knife is ineffective for preventing kickback.
- **Never operate the saw with a bent riving knife.** Even a minor malfunction can slow down the closing of the guard.

**RETAIN THESE INSTRUCTIONS!**

### 3.5 Safety devices



 <b>Danger</b>	
	<p><b>Risk of injury from missing safety devices</b></p> <p>These devices are necessary for the safe operation of the machine. They must not be removed or rendered ineffective.</p> <ul style="list-style-type: none"> <li>➤ Check the proper functioning of the safety devices before you start operating the machine.</li> <li>➤ Never use the machine with missing or ineffective safety devices.</li> </ul>

The machine is equipped with the following safety devices:

Safety device	Type of check
Upper fixed guard	Visual check for damage
Lower movable guard	Functional check (complete opening and jerk-free abrupt closing)
Large base plate	Visual check for damage and deformation
Handles	Visual check for damage
Riving knife/splitter	Visual check for damage and deformation
Motor brake	Functional check (braking time must not be longer than 2 seconds)
Hose connector	Visual check for damage and obstruction

If the safety devices are damaged or not functioning properly, follow the instructions in the chapter Troubleshooting. For other malfunctions, please contact your dealer or MAFELL Customer Service directly.

### 3.6 Residual risks

 <b>Warning</b>	
	<p><b>Risk of injury when working with the machine</b></p> <p>Even when the machine is used as intended and in compliance with the safety regulations, there are still residual risks caused by the intended use, which can have consequences for your health.</p> <ul style="list-style-type: none"><li>➤ Observe the safety instructions and information in these instructions.</li><li>➤ Always be extremely careful and cautious when you work with the machine.</li></ul>

The existing residual risks include:

- Contact with the saw blade in the area of the start-up opening below the base plate.
- Contact with the part of the saw blade that protrudes below the workpiece during the cutting process.
- Contact with rotating parts from the side: Saw blade, clamping flange and flange bolt.
- Kickback of the machine when jammed in the workpiece.
- Breakage and ejection of the saw blade or parts of the saw blade.
- Impaired hearing when working without hearing protection for long periods of time.
- Emission of harmful wood dusts during longer operation without extraction.

## 4 Setup / adjustment

### 4.1 Charging the rechargeable battery

Rechargeable battery and charger are matched to each other. Use only the MAFELL chargers for charging.

First, charge the rechargeable battery when you use a new machine.



The charging process is described in the "Charger APS M" instructions supplied.

A significantly shortened operating time after charging indicates that the rechargeable battery is exhausted and needs to be replaced.

The rechargeable battery is equipped with a temperature monitor. This ensures that the rechargeable battery is only charged in the optimal temperature range between 0 °C (32 °F) and 50 °C (122 °F). This ensures a long battery life.

## ⚠ Warning



### Risk of fire and explosion due to overheating or moisture

High temperatures and moisture can cause short-circuits in the rechargeable battery. There is a risk of fire and explosion.

- Protect the rechargeable battery from heat, fire and moisture.
- Do not expose the rechargeable battery to temperatures above 50 °C (122 °F).
- Store the rechargeable battery at a temperature between 10 °C (50 °F) and 30 °C (86 °F).
- Allow the rechargeable battery to cool down before you start charging it.

### 4.2 Inserting the rechargeable battery

Prior to inserting the battery, check to ensure that the rated voltage of the rechargeable battery matches the specification on the machine.

#### Use the following procedure to insert the rechargeable battery into the machine:

1. Insert the charged rechargeable battery into the battery guide until you feel that it locks into place.
2. Check to ensure that the battery is firmly seated in the machine.
  - ✓ The rechargeable battery is inserted in the machine.

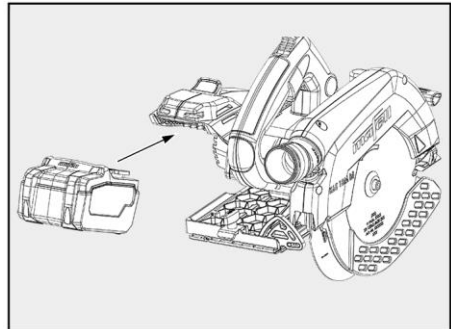


Fig. 6: Inserting the rechargeable battery into the machine

### 4.3 Removing the rechargeable battery

#### Use the following procedure to remove the rechargeable battery:

1. Press and hold the lever (7) of the battery lock.
2. Pull the rechargeable battery out of the guide.
  - ✓ The rechargeable battery is removed.

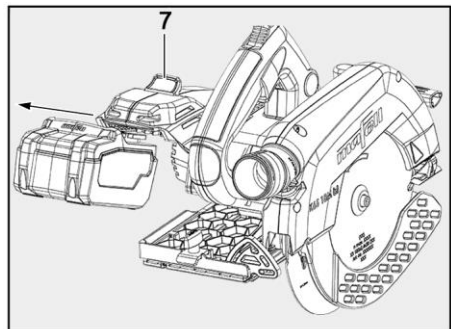


Fig. 7: Removing the rechargeable battery

#### 4.4 Chip extraction

### **Caution**



#### **Health hazards from wood dust**

The dusts produced during work can be inhaled and can cause health damage.

- Harmful dust must be extracted with a HEPA 13 dust extractor.
- Wear a dust mask during work.

For all work that produces a significant amount of dust, connect the machine to a suitable external extraction device. The air velocity must be at least 20 m/s [65 ft/sec].

The inner diameter of the hose connector is 35 mm [1.4 in].

For short-time work that generates a small amount of dust, you can use the shavings bag provided as a self-suction device.

#### 4.5 Saw blade selection

To achieve good cutting quality, use a sharp tool and select a tool from the following list that is appropriate for material and application:

##### **Cutting softwood and hardwood especially along the grain direction:**

- Carbide circular saw blade Ø 185 x 1.8 x 20 mm, 16 teeth [Ø 7.28 x 0.07 x 0.79 in]

##### **Cutting softwood and hardwood especially across the grain direction:**

- Carbide circular saw blade Ø 185 x 1.8 x 20 mm, 32 teeth [Ø 7.28 x 0.07 x 0.79 in]



#### 4.6 Changing the saw blade

### Caution



#### Risk of injury from the sharp saw blade

The saw blade is sharp. You can hurt yourself when you change the saw blade.

- Wear protective gloves when you change the saw blade.
- Be careful when you change the saw blade.

#### Use the following procedure to change the saw blade:

1. Pull the rechargeable battery out of the machine.
2. Put the machine on a flat surface.
3. Press and hold the pushbutton (8).
4. Pull the locking lever (3) upwards.
  - The operating lever is locked. The mechanism that locks the saw shaft is activated.
5. To move the movable guard to the maximum open position, either use the pre-feed lever (12) or do it manually.
  - To remove the saw blade, manually hold the guard in the open position.

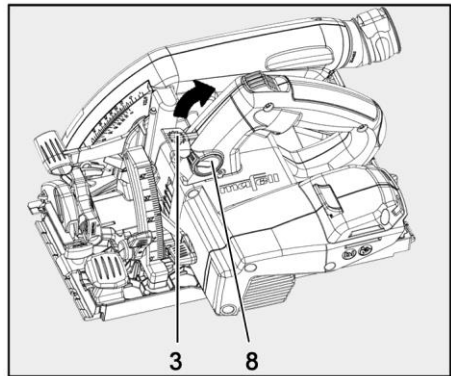


Fig. 8: Locking the saw shaft

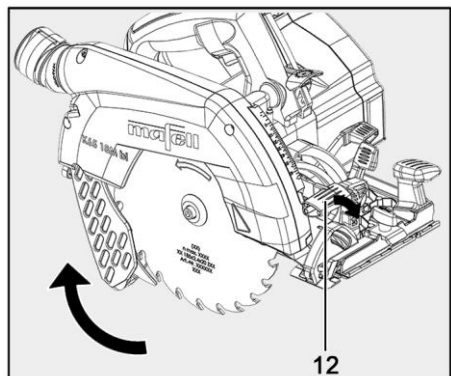


Fig. 9: Opening the guard

6. Turn the disconnected machine onto the motor unit. The saw blade points upward.
7. Insert the Allen key (B) into the flange screw (13) and turn it **counterclockwise** until the saw shaft locks into place.
  - The saw blade is retained in position and the flange screw can be released.
8. Using the Allen key (B), turn the flange screw (13) **counterclockwise** to loosen it.
9. Remove the flange screw (13) and the front clamping flange (14).
10. Remove the old saw blade.
  - Clamping flanges must be free of adhering parts!
  - The new saw blade can now be installed.

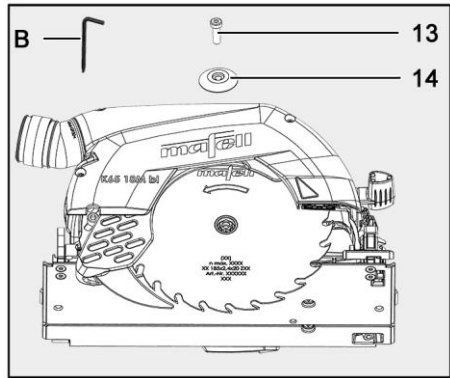


Fig. 10: Removing the old saw blade

11. Position the new saw blade (15) on the rear flange (17).
  - Ensure that the direction of rotation is correct when you install the saw blade. The saw teeth or the arrow on the saw blade (15) must point in the direction of the arrow (16) on the machine.
12. Fit clamping flange (14) and flange screw (13).
13. Using the Allen key (B), turn the flange screw (13) **clockwise** to tighten it.
  - The saw blade is secured.

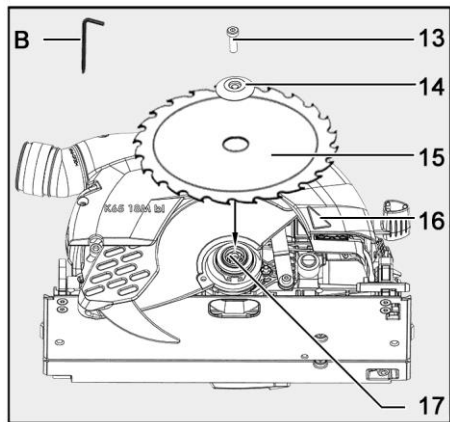


Fig. 11: Replacing the saw blade

14. Close the movable guard.
15. To do this, press the locking lever (3) down.
  - The mechanism that locks the saw shaft is activated.
  - The operating lever is unlocked.
  - ✓ The saw blade is changed.

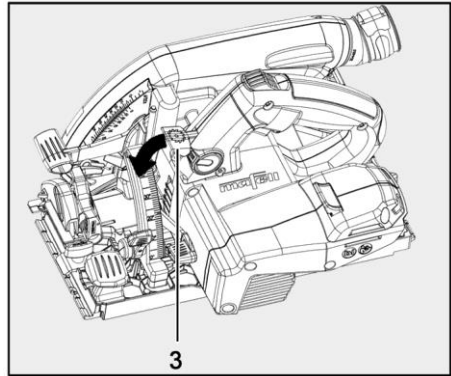


Fig. 12: Unlocking the operating lever

#### 4.7 Riving knife

The riving knife prevents the saw blade from jamming during rip cutting. In addition, the riving knife retracts into the machine during plunge cuts. This prevents kickback during the sawing process.

The correct distance to the saw blade is shown in the figure.

#### Use the following procedure to adjust the distance of the riving knife:

1. Pull the rechargeable battery out of the machine.
2. Using the Allen key (B) provided, turn the screw (18) **counterclockwise** to adjust.
3. Move the riving knife along its longitudinal slot to adjust it.
  - Do not exceed the maximum distance to the saw blade (see Fig. 13).
4. Using the Allen key (B), turn the flange screw (18) **clockwise** to tighten it.
  - ✓ The riving knife distance is set.

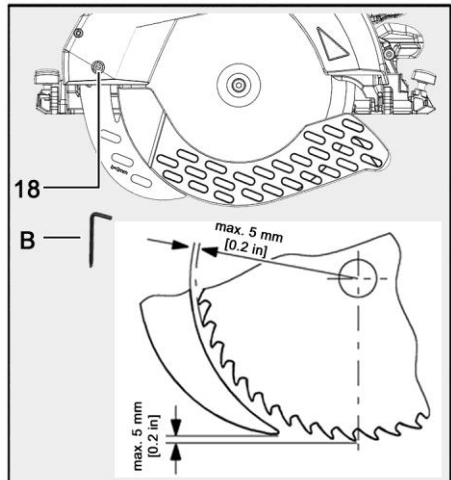


Fig. 13: Distance riving knife to saw blade

## 5 Operation

### 5.1 Startup

#### Warning

These operating instructions must be brought to the attention of all persons entrusted with the operation of the machine, with particular emphasis on the chapter "Safety instructions".

### 5.2 Switching on

**Use the following procedure to switch on the machine:**

1. Press the switch-on lock 4 forward to unlock.
2. With the switch-on lock depressed, actuate and hold the operating lever (6).
3. Release the switch-on lock 4.
  - ✓ The machine is switched on

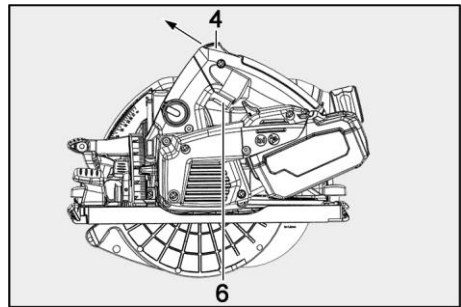


Fig. 14: Switching the machine on



Since the switch is not latching, the machine runs only as long as the operating lever is pressed. Due to the motor concept used here, the machine stops very quickly when it is switched off. (Motor brake)

### 5.3 Light

To illuminate a large section of the work area, the machine is equipped with a light module.

The light module is switched on when the machine is switched on.

The light module is switched off automatically when the machine is stopped for some time.

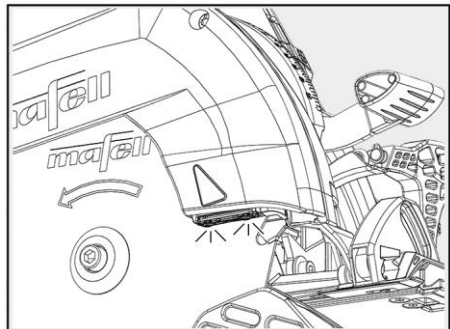


Fig. 15: Light module on machine

#### 5.4 Switching off

Use the following procedure to switch off the machine:

1. Release the operating lever (6).
  - The integrated automatic brake limits the coasting time of the saw blade to approx. 2 seconds.
  - The switch-on lock is activated automatically and secures the hand-held circular saw against being switched on inadvertently.
  - ✓ The machine is switched off.

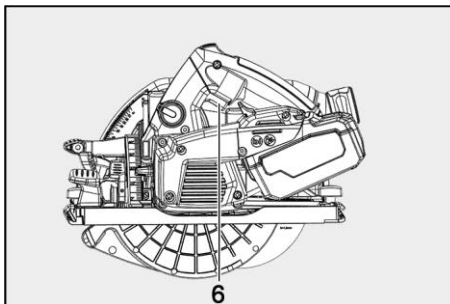


Fig. 16: Switching the machine off

### 5.5 Cutting depth setting

The cutting depth can be set continuously in a range between 0 and 66 mm [0 to 2.6 in].

#### Use the following procedure to set the cutting depth:

1. Release the clamping lever (9).
2. Use the plunge lever (1) to set the cutting depth.
  - The cutting depth is indicated on the scale (2) on the cover. The area with a red background of the plunge lever (1) serves as pointer.
3. Tighten the clamping lever (9).
  - ✓ The cutting depth is set.

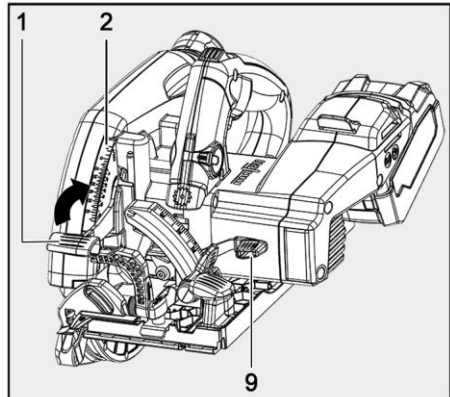


Fig. 17: Setting the cutting depth



For separating cuts, always set the cutting depth to approx. 2 ... 5 mm [0.08 ... 0.2 in] more than the material thickness you want to cut.

### 5.6 Setting for bevel cuts

For bevel cuts, the saw unit can be set to any angle from 0° to 45°.

#### Use the following procedure to set the saw unit for bevel cuts:

1. For tilting, put down and support the machine so that the saw unit can be tilted.
2. Release the lever (10).
3. Use the scale (11) on the tilting segment to set the angle.
4. Tighten the lever (10).
  - ✓ The saw unit is set to the desired angle for the bevel cut.

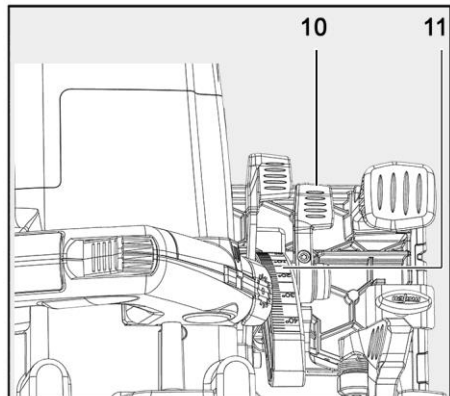


Fig. 18: Setting the saw unit for bevel cuts

## 5.7 Plunge cuts

### Warning



#### Risk of kickback with plunge cuts!

With plunge cuts, there is a risk of kickback when the machine jams. This can cause serious injuries.

- Prior to plunging, position the machine such that the rear edge of the base plate is in contact with a stop that is fixed to the workpiece.
- While plunging in, hold the machine firmly by the handle and push the machine slightly forward!

#### Use the following procedure to perform plunge cuts:

1. Release the clamping lever (9).
2. Using the plunge lever (1), set the machine to the highest position.
3. Using the pre-feed lever (12), open the movable guard completely so that the machine can be positioned on the workpiece you want to work on.
  - Saw blade and riving knife are now free above the material.
4. Align the machine on the workpiece for the plunge cut.
5. Switch on the machine and press down the plunge lever (1).
  - The saw blade now plunges vertically into the workpiece. The plunge depth is indicated on the scale (2). The riving knife swings upward out of the way when the blade enters the workpiece. The riving knife returns to its normal position as soon as the gap behind the saw blade is cleared in the forward movement of the machine.
6. Stop the feed when the end of the plunge cut is reached.
7. Switch off the machine.
8. Using the plunge lever (1), pull the saw blade out of the kerf.
9. Tighten the clamping lever (9).
  - ✓ The plunge cut is performed.

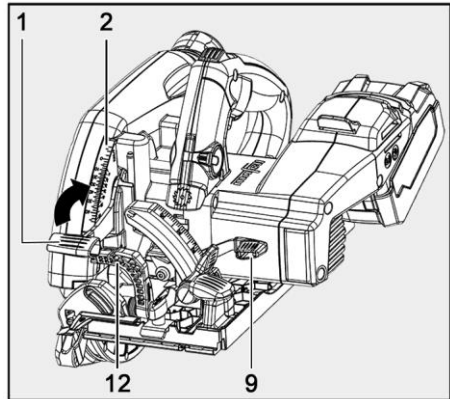


Fig. 19: Plunge cutting



You can preset the plunge depth for repetitive plunge cuts with the same depth.

**Use the following procedure to preset the plunge depth:**

1. Using the plunge lever (1), set the machine to the desired plunge depth.
  2. Using the Allen key (B), open the clamping screw (21).
    - The stop bar (22) drops down to the stop.
  3. Tighten the clamping screw (21).
    - You can make several plunge cuts with the same depth.
    - After you have finished with the plunge cuts with the same depth, set the stop bar back to the upper position to achieve the full plunge depth.
- ✓ The plunge depth is preset.

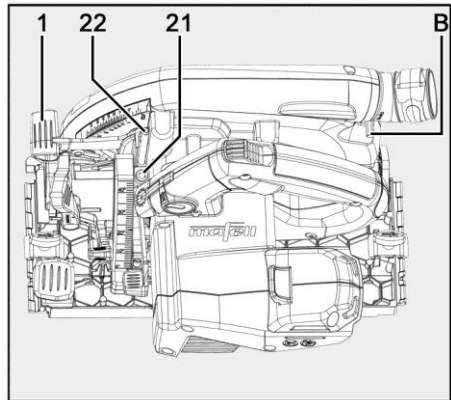


Fig. 20: Presetting the plunge depth

**Use the following procedure to revert to the full plunge depth:**

1. Using the Allen key (B), open the clamping screw (21).
2. Set the machine to maximum cutting depth. To do this, move the plunge lever (1) down until it hits the stop.
  - The stop bar (22) moves to the topmost position.
3. Tighten the clamping screw (21).
  - ✓ The full plunge depth is possible again.

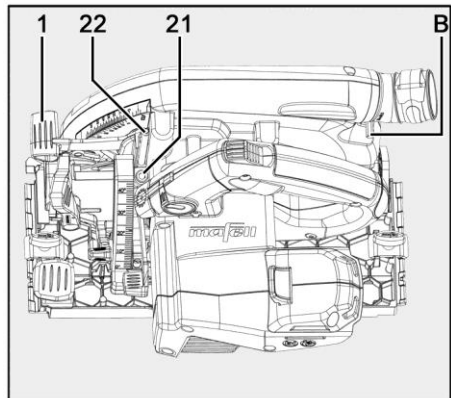


Fig. 21: Resetting the cutting depth



### 5.8 Sawing along markings

The base plate is equipped with a movable tracing pointer, which automatically adjusts itself during bevel cuts. This tracing edge (19) corresponds to the inside (side facing the motor) of the saw blade.

For bevel cuts, the marking can be seen through the opening at the inside of the upper guard (on the left in cutting direction).

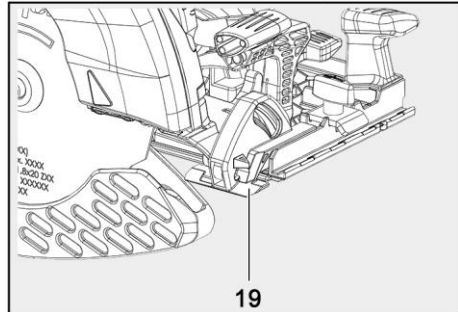


Fig. 22: Tracing edge

#### Use the following procedure to saw along markings:

1. Hold the machine by the handles and position it such that the front part of the base plate is on the workpiece.
2. Position the tracing edge (19) at the marking on the workpiece.
3. Switch on the machine.
4. Ensure that the tracing edge (19) and the front edge of the saw blade are guided along the marking.
5. Push the machine steadily forward in the cutting direction.
6. Switch off the machine at the end of the cut.
  - ✓ Sawing along markings terminated.

### 5.9 Sawing with the parallel guide fence

The parallel guide fence (C) is used for sawing in parallel to an existing edge. The guide fence can be mounted on the right (motor side) or the left (tool side) side of the machine. The possible adjustable distance is 163 to 300 mm [6.42 - 11.81 in] on the right side and 33 mm to 130 mm [1.30 - 5.12 in] on the left side. In the range of 163 to 220 mm [6.42 - 8.66 in], the machine must be moved upwards by approx. 10 mm [0.4 in] so that the guide fence can be inserted underneath the motor housing.

The selected width is shown at the scales on the guide bars. The edges with the red markings on the base plates are used as pointers.

## ⚠ Warning



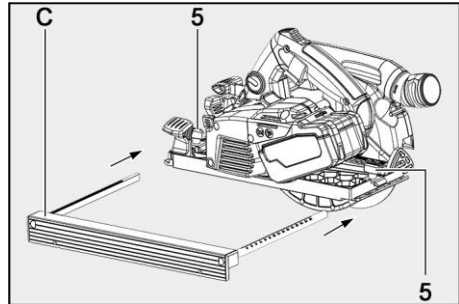
#### Risk of injury from defective guard

There is a risk that the parallel guide fence interferes with the operation of the lower guard if it is used below the minimum dimensions. It is possible that the saw blade is then freely accessible.

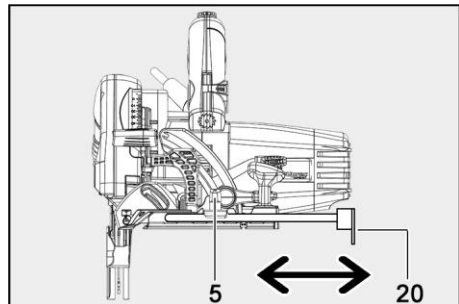
- Use the parallel guide only inside the permissible cutting ranges. To ensure this, take note of the scales on the guide bars.

**Use the following procedure to install the parallel guide fence:**

1. Loosen the wing screws (5) on both sides.
2. Insert the parallel guide fence (C) into the guide provided for this purpose.
  - It can be mounted on the left or right side of the machine.
3. Tighten the wing screws (5) on both sides.
  - ✓ The parallel guide fence is installed.

*Fig. 23: Installing the parallel guide fence***Use the following procedure to adjust the cutting width:**

1. Loosen the wing screws (5) on both sides.
2. Adjust the parallel guide fence.
3. Tighten the wing screws (5) on both sides.
  - ✓ The cutting width is adjusted.

*Fig. 24: Adjusting the cutting width via the parallel guide fence*

In addition, the parallel guide can also be used as a double support for a better guidance of the hand-held circular saw. Simply turn it over (the guide tab (20) points upwards). Alternatively, you can guide the machine with the parallel guide fence along a guide rail or a wooden ledge fixed on the workpiece. This requires the parallel guide fence to be rotated so that the guide tab (20) points upwards.

## 5.10 Working with special accessories

Various special accessories are available for the machine. An overview can be found in chapter 8 Optional accessories.

Some utilization methods are explained below.

### 5.10.1 Working with the roller edge guide

The roller edge guide (I) is used for sawing in parallel to an existing edge. The guide fence can be mounted on the right (motor side) or the left (tool side) side of the machine. The possible adjustable distance is 30 to 210 mm [1.18 - 8.27 in] on the right side and 12 mm to 40 mm [0.47 - 1.57 in] on the left side.

The selected width is shown at the scales on the guide bars. The edges with the red markings on the base plates are used as pointers.

## Warning



### Risk of injury from defective guard

There is a risk that the roller edge guide interferes with the operation of the lower guard if it is used below the minimum dimensions. It is possible that the saw blade is then freely accessible.

- Use the roller edge guide only in the permissible cutting ranges. To ensure this, take note of the scales on the guide bars.

### Use the following procedure to install the roller edge guide:

1. Loosen the wing screws (5) on both sides.
2. Insert the roller edge guide I into the guide provided for this purpose.
  - It can be mounted on the left or right side of the machine.
3. Tighten the wing screws (5) on both sides.
  - ✓ The roller edge guide is installed.

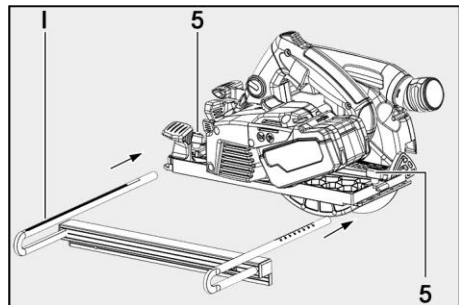


Fig. 25: Installing the roller edge guide

Use the following procedure to adjust the cutting width:

1. Loosen the wing screws (5) on both sides.
2. Adjust the roller edge guide.
3. Tighten the wing screws (5) on both sides.  
✓ The cutting width is adjusted.

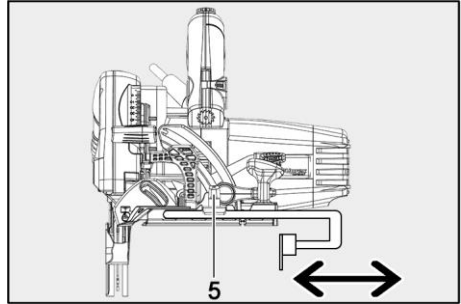


Fig. 26: Adjusting the cutting width via the roller edge guide

### 5.10.2 Working with the guiding device



The description for the guiding device can be found in the enclosed instructions "Guiding device L/M/ML/S".

## 6 Service and maintenance

MAFELL machines are of a low-maintenance design.

The installed ball bearings are lubricated for life. After a longer period of operation, MAFELL recommends that the machine be handed over to an authorized MAFELL service workshop for inspection.

### 6.1 Storage

Clean the machine thoroughly if you will not use it for quite some time. Spray bare metal parts with a rust inhibitor.

### 6.2 Transport

When you ship the rechargeable batteries, ensure that certain special requirements are satisfied with regard to packaging and labeling. The contained Li-ion batteries are subject to the requirements of the regulations for hazardous materials.

Ship rechargeable batteries only when their housings are undamaged.

Prior to shipping, stick non-conductive tape (e.g. insulating tape) across the battery terminals and pack the batteries such that they cannot move inside the packaging.

Please ensure that you observe any further national regulations too.

### 6.3 Disposal of a rechargeable battery

Never dispose of rechargeable batteries in the domestic waste! Defective or exhausted rechargeable batteries must be collected separately and recycled in an environmentally friendly manner.

Drop off rechargeable batteries at certified battery electronics recyclers.

Prior to drop-off, stick non-conductive tape (e.g. insulating tape) across the battery terminals and/or place rechargeable batteries in separate plastic bags. Even a used battery can have enough energy to cause injuries or to light a fire.

## 7 Troubleshooting

### Warning



#### Risk of injury from a sudden start of the machine.

There is a risk that the machine starts suddenly due to carelessness when working with the machine or during troubleshooting. The rotating saw blade can cause serious injuries.

- Determining the causes of existing malfunctions and their elimination always require increased attention and caution!
- Pull out the mains plug before you start troubleshooting!

Some of the most common malfunctions and their causes are listed below. For other malfunctions, please contact your dealer or MAFELL Customer Service directly.

Malfunction	Cause	Remedial action
The machine can not be switched on.	No rechargeable battery inserted	Insert a rechargeable battery
	Rechargeable battery dead	Charge the rechargeable battery
	Rechargeable battery not engaged in the end position	Ensure that the rechargeable battery is engaged
The performance of the machine is dropping.	Rechargeable battery almost discharged, an LED on the battery is blinking.	Charge the rechargeable battery if only one LED shines.
Overload, the machine is switched off.	A long-lasting overload situation caused the machine or the rechargeable battery to overheat. A warning signal sounds (permanent beep). It stops after max. 30 seconds or after you have released the switching button.	Allow machine and rechargeable battery to cool down. The rechargeable battery cools down quicker in a charger with air cooling. Operating the machine with a different battery while idling will also allow it to cool down more quickly.
The machine switches off upon a sudden load increase.	The current required by the machine also rises suddenly as the load increases. This increase, which occurs in the event of sudden blockage or a kickback, is measured and causes a shutdown.	Release the switching button to switch off the machine. Afterwards, you can switch the machine back on and continue working. Try to avoid further blockage.

<b>Malfunction</b>	<b>Cause</b>	<b>Remedial action</b>
Saw blade jams when pushing the machine forward.	Feed rate too high	Reduce feed rate
	Blunt saw blade	Release switch at once. Remove the machine from the workpiece and replace the saw blade
	Tension in the workpiece	Increased caution when sawing, higher risk of kickback.
	Poor machine guidance (for example by freehand guiding)	Use parallel guide fence
	Uneven workpiece surface	Align surface
Saw blade vibrates in the workpiece	Saw blade not adjusted correctly	Retighten saw blade
	Workpiece not secured	Secure workpiece with clamps
Saw blade stops - motor continues rotating	Saw blade not properly secured	Retighten saw blade
Burn marks at the cut surfaces	Saw blade blunt or unsuitable for the operation	Replace saw blade
Chip ejector obstructed	Wood too damp	Clean chip ejector
	Long cutting operation without extraction	Connect the machine to an external extractor, such as a small dust extractor
Lower movable guard does not close or closes only slowly	Chips and wooden fragments in the lower movable guard	Remove chips and wooden fragments

## 8 Optional accessories

- Carbide saw blade Ø 185 x 1.8 x 20 mm, 16 teeth [Ø 7.28 x 0.07 x 0.79 in] (ripping)	Order no. 092494
- Carbide saw blade Ø 185 x 1.8 x 20 mm, 32 teeth [Ø 7.28 x 0.07 x 0.79 in](cross-cutting)	Order no. 092493
- Guide rail F80, 800 mm [31.5 in] long	Order no. 204380
- Guide rail F110, 1100 mm [43.3 in] long	Order no. 204381
- Guide rail F160, 1600 mm [63 in] long	Order no. 204365
- Guide rail F210, 2100 mm [82.7 in] long	Order no. 204382
- Guide rail F310, 3100 mm [122 in] long	Order no. 204383
- Sliding bevel segment F-WA	Order no. 205357
- Guide rail accessories:	
- Screw clamp F-SZ100MM (2x)	Order no. 205399
- Connecting piece F-VS	Order no. 204363
- Rail bag F160	Order no. 204626
- Rail bag set F80/160 with sliding bevel segment, consisting of: F80 + F160 + connecting piece + sliding bevel segment + 2 screw clamps + rail bag	Order no. 204749
- Rail bag set F160/160, consisting of: 2 x F160 + connecting piece + 2 screw clamps + rail bag	Order no. 204805
- Kickback stop F-RS	Order no. 202867
- Roller edge guide K85-UA	Order no. 205166
- Guiding device M	Order no. 208170
- Guiding device ML	Order no. 204378
- Charger APS M	Order no. 095220
- Rechargeable battery PowerTank 18 M 99 LiHD Li-Ion, 18V	Order no. 094503

## 9 Exploded view and spare parts list

The corresponding information on the spare parts can be found on our homepage: [www.mafell.com](http://www.mafell.com)




**Sommaire**

1	Explication des pictogrammes.....	33
1.1	Identification de l'appareil.....	35
2	Données caractéristiques.....	35
2.1	Caractéristiques techniques.....	35
2.2	Équipement standard.....	36
2.3	Éléments de commande.....	36
3	Sécurité générale.....	37
3.1	Utilisation conforme.....	37
3.2	Utilisation non conforme prévisible.....	37
3.3	Consignes de sécurité.....	38
3.4	Consignes de sécurité spécifiques.....	39
3.5	Dispositifs de sécurité.....	43
3.6	Risques résiduels.....	44
4	Équipement / Réglage.....	44
4.1	Charger le bloc batterie.....	44
4.2	Insérer le bloc batterie.....	45
4.3	Retirer le bloc batterie.....	45
4.4	Aspiration des copeaux.....	46
4.5	Choix de la lame.....	46
4.6	Changement de lame.....	47
4.7	Couteau diviseur.....	49
5	Fonctionnement.....	50
5.1	Mise en service.....	50
5.2	Mise en marche.....	50
5.3	Éclairage.....	50
5.4	Arrêt.....	51
5.5	Réglage de la profondeur de coupe.....	52
5.6	Réglage pour coupes biaisées.....	52
5.7	Coupes en plongée.....	53
5.8	Sciage d'après tracé.....	55
5.9	Sciage avec le guide parallèle.....	55
5.10	Travail avec des accessoires supplémentaires.....	57
6	Entretien et maintenance.....	58
6.1	Stockage.....	58
6.2	Transport.....	58
6.3	Élimination du bloc batterie.....	58
7	Élimination des défauts.....	59
8	Accessoires supplémentaires.....	61
9	Schéma éclaté et liste de pièces de rechange.....	61









## 1 Explication des pictogrammes

La présente notice d'emploi contient les pictogrammes d'information générale suivants, destinés à guider le lecteur et à lui fournir des informations importantes.

Pictogramme	Signification
	<b>Information importante</b> Ce symbole signale la présence de suggestions pour l'utilisation et autres informations utiles.
	Indique un résultat intermédiaire dans une suite d'actions.
	Indique le résultat final d'une suite d'actions.





Tab. 5 : pictogrammes généraux et leur signification

Des mises en garde avertissent de la présence de zones dangereuses, risques et obstacles.

Pictogramme	Signification
	<b>Mise en garde</b> Ce pictogramme figure à chaque endroit indiquant des consignes relatives à votre sécurité. Leur non respect peut entraîner des blessures très graves.
	Met en garde contre les risques dus à une décharge électrique
	Met en garde contre les risques dus à la poussière.
	Met en garde contre des coupures.
	Met en garde contre le sectionnement de membres du corps.
	Met en garde contre le risque d'incendie et d'explosion.

Tab. 6: pictogrammes de mise en garde et leur signification




Les pictogrammes d'obligation servent à la prévention des accidents

Pictogramme	Signification
	Porter une protection oculaire.
	Porter un masque de protection contre les poussières.
	Porter une protection auditive.
	Porter des gants de protection.

Tab. 7: pictogrammes d'obligation et leur signification

Pendant l'exploitation de la machine, l'utilisateur doit toujours effectuer des actions pouvant constituer une source de risques. Ces actions présentant des risques sont précédées de mises en garde devant être impérativement respectées.






### Classification des niveaux de danger (mots-clés) pour les mises en garde

Mise en garde	Signification et conséquences en cas de non-respect
 <b>Danger</b>	Danger imminent, entraînant de <b>graves blessures corporelles pouvant avoir une issue mortelle.</b>
 <b>Avertissement</b>	Situation <b>potentiellement</b> dangereuse, risquant d'entraîner de <b>graves blessures corporelles pouvant avoir une issue mortelle.</b>
 <b>Attention</b>	Situation <b>potentiellement</b> dangereuse, risquant d'entraîner de <b>légères blessures corporelles.</b>

Tab. 8: conception des mises en garde

## 1.1 Identification de l'appareil

Les pictogrammes ci-après indiqués et explicités peuvent se trouver sur la plaque de type ou le produit.

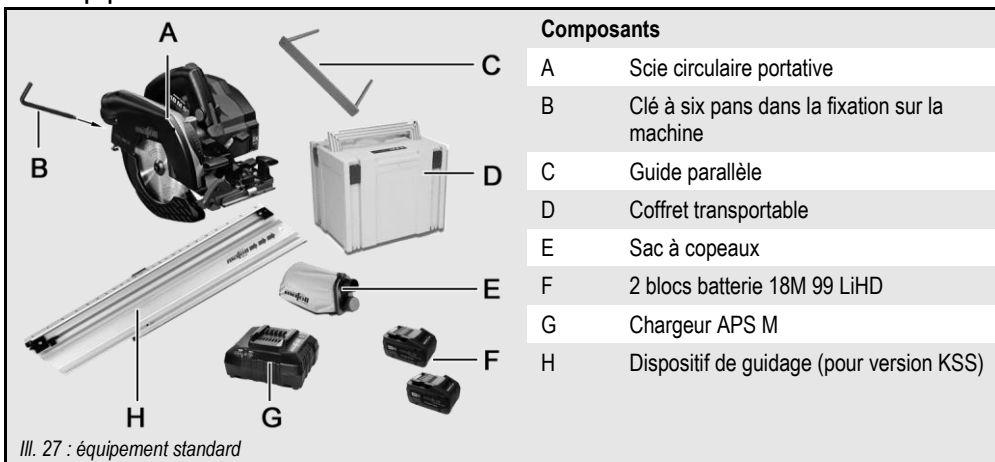
Pictogramme	Explication	Pictogramme	Explication
V	Volt	1, 2, 3, ... I, II, III, ...	Réglage de la vitesse de rotation
A	Ampère	min <sup>-1</sup>	Rotation par minute
Hz	Hertz	∅	Diamètre de la lame de scie
W	Watt	~	Courant alternatif
kg	Kilogramme (poids)		Classe de protection II
min	Minutes (temps)		Lire la notice d'emploi
s	Secondes (temps)		Lunettes de protection
n <sub>0</sub>	Régime nominal au ralenti		Protection auditive
n	Régime nominal en charge normale		Masque anti-poussière

## 2 Données caractéristiques

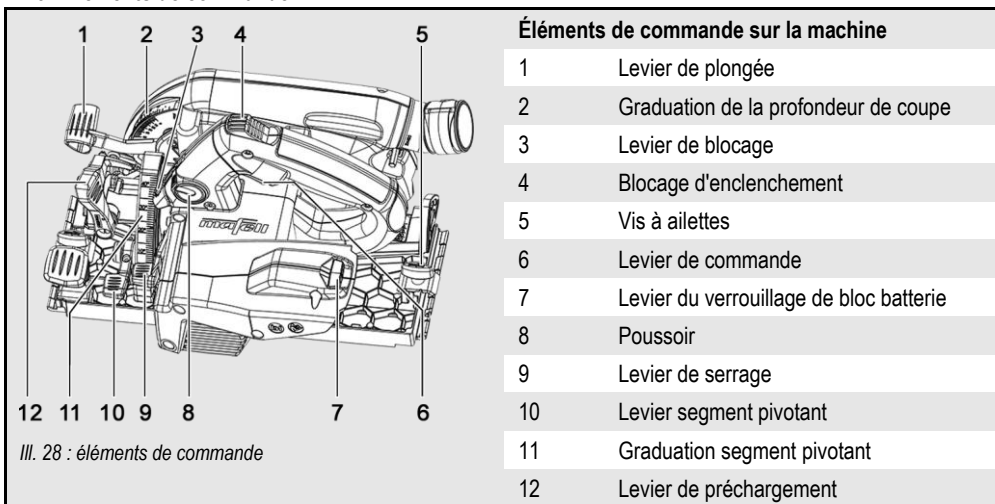
### 2.1 Caractéristiques techniques

Tension nominale	18 V, DC
Vitesse de rotation de la lame au ralenti	4450 tr/min
Profondeur de coupe 0°/30°/45°	66/62/53 mm [2,60/2,44/2,09 in]
Groupe de sciage inclinable	0°– 45°
Diamètre maxi/mini de la lame de scie	185/172 mm [7,28/6,77 in]
Épaisseur du corps de base de la lame de scie	1,2 mm [0,05 in]
Largeur de coupe de l'outil	1,8 mm [0,07 in]
Alésage de fixation de la lame	20 mm [0,8 in]
Diamètre du manchon d'aspiration	35 mm [1,4 in]
Poids avec batterie, sans guide parallèle	4,4 kg [9,7 lbs]
Dimensions (largeur x longueur x hauteur)	246 x 339 x 267 mm [9,68 x 13,35 x 10,51 in]

## 2.2 Équipement standard



## 2.3 Éléments de commande



### 3 Sécurité générale

#### Avertissement

**Veillez lire toutes les consignes de sécurité et instructions.** Tout non-respect des consignes de sécurité et instructions risque d'être à l'origine de décharges électriques, d'incendies et/ou de blessures graves. **Conservez toutes les consignes et instructions pour pouvoir les relire à tout moment.**

#### 3.1 Utilisation conforme

La machine est exclusivement destinée à la coupe longitudinale et transversale de bois massifs.

Les panneaux dérivés du bois tels que les panneaux de particules, les panneaux lattés et les panneaux MDF peuvent être également usinés.

Le sciage de matériaux isolants en fibres de bois s'avère également possible.

N'utiliser que des lames de scie homologuées par le fabricant.

N'utiliser que les blocs batteries et le chargeur autorisés par le fabricant.

#### 3.2 Utilisation non conforme prévisible

La machine n'est pas destinée à une autre utilisation que celle conforme, précédemment indiquée.

La responsabilité du fabricant ne pourra pas être mise en cause en cas de dommages résultant d'une utilisation non conforme.

Pour utiliser la machine de façon conforme, respecter les conditions de fonctionnement, maintenance et entretien dictées par Mafell.

#### Font également partie de l'utilisation non conforme prévisible :

- Le fait de manipuler, retirer et/ou déjouer des dispositifs de sécurité quels qu'ils soient.
- Le fonctionnement de la machine sans dispositifs de sécurité.
- Le non-respect des consignes de sécurité et mises en garde dans la notice d'emploi.
- Le retrait des consignes de sécurité et mises en garde apposées sur la machine.
- Commande de la machine par des personnes non autorisées.
- Le non-respect des consignes de maintenance et d'entretien.

#### Ne doivent pas être utilisées :


- Des lames de scie fissurées ou des lames de scie déformées.
- Des lames de scie en acier rapide fortement allié (HSS).
- Des lames de scie émoussées, occasionnant une surcharge du moteur.
- Des lames de scie dont le corps est plus épais que le couteau diviseur ou dont la largeur de coupe (avoyage) est inférieure à l'épaisseur du couteau diviseur.
- Des lames de scie pas appropriées à la vitesse de rotation à vide.
- Des meules

### 3.3 Consignes de sécurité

#### LIRE TOUTES LES INSTRUCTIONS !

Le non-respect des instructions ci-après peut être à l'origine de décharges électriques, incendies et/ou graves blessures.

#### Champ d'application

- Il est interdit à des enfants ou à des adolescents de se servir de la machine.
- Protéger la machine et les blocs batteries de l'humidité.
- Ne pas jeter les blocs batteries au feu.
- Ne pas utiliser de blocs batteries défectueux ou déformés.
- Ne pas ouvrir les blocs batteries.
- Ne pas toucher les contacts des blocs batteries et ne pas non plus les court-circuiter.
- Il est possible que du liquide légèrement acide et inflammable s'échappe des blocs batteries défectueux ! En cas de fuite d'acide de bloc batterie et de contact avec la peau, rincer immédiatement à grande eau. En cas de projection dans les yeux, les laver à l'eau propre et consulter immédiatement un médecin !
- Retirer les blocs batteries de la machine, avant de procéder à de quelconques réglages, modifications, opérations de maintenance ou de nettoyage.
- En insérant le bloc batterie, s'assurer que la machine est arrêtée.
- Retirer le bloc batterie de la machine, si cette dernière doit être posée, transportée ou stockée sans surveillance.
- Ne pas utiliser cette machine en étant fatigué, sous l'influence de drogues, d'alcool ou de médicaments. Faites attention à ce que vous faites, restez vigilant et faites preuve de bon sens.
- Tenir les enfants et les passants à l'écart en utilisant la machine. Toute distraction peut faire perdre le contrôle de la machine.
-  Utiliser une protection oculaire, un masque anti-poussière et une protection auditive. Un équipement de sécurité approprié, utilisé dans de bonnes conditions, réduit les blessures.

#### Instructions pour entretien et maintenance :

- Le nettoyage régulier de la machine et surtout des dispositifs de réglage et des guidages constitue un facteur de sécurité important.
- N'utiliser que des pièces détachées et des accessoires d'origine MAFELL. À défaut de quoi la garantie du constructeur n'est pas assurée et sa responsabilité est dérogée.
- **Élaborer un calendrier de maintenance périodique pour la machine. Lors du nettoyage de la machine, veillez à ne démonter aucune pièce de la machine, car des fils internes risquent d'être mal posés ou coincés lors du remontage, ou des ressorts de rappel du dispositif de protection mal installés.** Certains produits de nettoyage tels que l'essence, le tétrachlorure de carbone, l'ammoniac, etc. peuvent endommager des pièces en plastique.

- Une partie de la poussière générée lors du sciage, ponçage, perçage et autres travaux de construction contient des produits chimiques connus pour être cancérigènes, provoquer des malformations congénitales ou d'autres atteintes à la reproduction. Voici quelques exemples de ces produits chimiques :

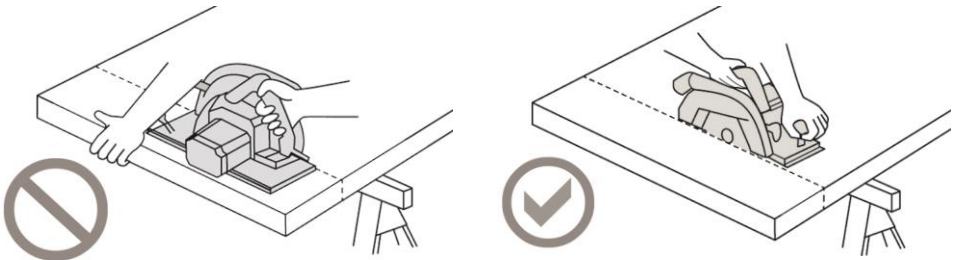
- Le plomb des peintures à base de plomb,
- La silice cristalline provenant des briques, du ciment et d'autres produits de maçonnerie,
- L'arsenic et le chrome provenant de bois traité chimiquement.

Le risque encouru à cause de ces dangers varie en fonction de la fréquence à laquelle ce type de travail est effectué. Pour réduire l'exposition à ces produits chimiques : travailler dans un endroit bien ventilé et utiliser des équipements de sécurité approuvés, tels que masques anti-poussières spécialement conçus pour filtrer les particules microscopiques.

### 3.4 Consignes de sécurité spécifiques

#### Sciage

- **Ne mettre les mains ni dans la zone de sciage, ni sur la lame de scie. Retenir de l'autre main la poignée supplémentaire ou le carter du moteur.** Si les deux mains retiennent la scie, elles ne risquent pas d'être blessées par la lame de scie.



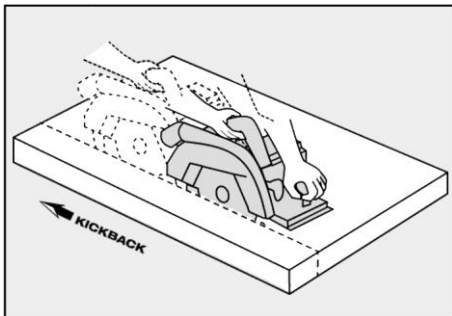
Ill. 29 : sciage de manière incorrecte et incorrecte

- **Ne pas mettre les mains sous la pièce à travailler.** Le capot protecteur n'offre aucune protection contre la lame de scie en-dessous de la pièce à travailler.
- **Adapter la profondeur de coupe à l'épaisseur de la pièce à travailler.** Sous la pièce, on devrait voir moins que la hauteur complète d'une dent.
- **Ne jamais retenir la pièce à travailler d'une main ou d'une jambe. Bloquer la pièce à travailler sur un appui stable.** Il est important de bien fixer la pièce à travailler. Ceci minimise le risque de contact corporel, le blocage de la lame de scie ou la perte de contrôle de la machine.
- **Tenir la machine au niveau des surfaces isolées de l'appareil, en effectuant des travaux au cours desquels l'outil utilisé risque de rencontrer des câbles électriques dissimulés.** Tout contact avec un câble sous tension met également les pièces métalliques de la machine sous tension et provoque une décharge électrique.
- **Toujours utiliser une butée ou un guidage de bord droit pour la coupe longitudinale.** Ceci améliore la précision de la coupe et réduit la possibilité de coincement de la lame de scie.

- **Toujours utiliser des lames de scie ayant la dimension correcte et l'alésage de fixation approprié (par ex. en forme d'étoile ou rond).** Des lames de scie non adaptées aux pièces montées sur la scie tournent de façon irrégulière et sont à l'origine d'une perte de contrôle.
- **Ne jamais utiliser de rondelles ou de vis de lames de scies endommagées ou incorrectes.** Les rondelles et vis de lames de scie sont construites spécialement pour la scie utilisée, afin d'en assurer la performance et la sécurité de fonctionnement optimales.

### **Rebond - causes et consignes de sécurité correspondantes**

- Un rebond est une réaction brusque résultant du coincement ou d'un ajustage incorrect de la lame de scie, qui provoque un relèvement incontrôlé de la scie, à la suite duquel la scie ressort du matériau en direction de l'opérateur.
- Si la lame de scie se coince dans l'interstice de coupe qui se ferme, elle se bloque et la force motrice fait rebondir la scie en arrière, en direction de l'opérateur.
- Si la lame de scie est retournée ou mal orientée dans la fente de coupe, les dents du bord arrière de la lame de scie risquent de rester accrochées à la surface du bois, entraînant ainsi l'extraction de la lame de scie hors de l'interstice de coupe et le rebond de la scie en direction de l'opérateur.



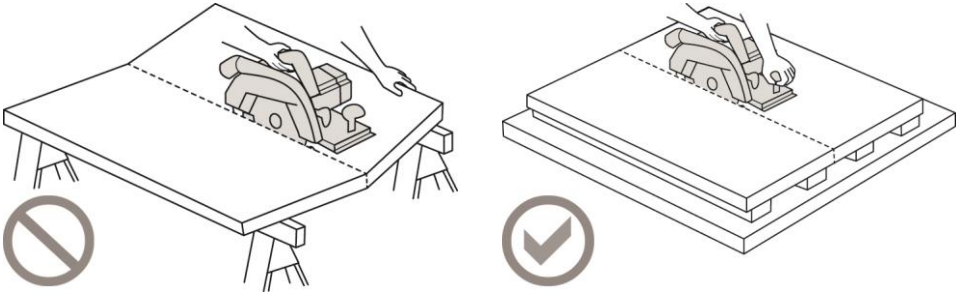
III. 30 : rebond de la machine

Un rebond est la conséquence d'une utilisation incorrecte ou erronée de la scie. Il peut être évité grâce aux mesures de précaution appropriées, ci-après décrites.

- **Retenir fermement la scie des deux mains et positionner les bras de manière à ce qu'ils puissent intercepter les forces dues au rebond. Toujours se tenir sur le côté de la lame de scie et ne jamais se placer sur la même ligne que la lame de scie.** En cas de rebond, la scie circulaire peut revenir en arrière mais, en prenant des mesures de précaution appropriées, l'opérateur peut cependant arriver à maîtriser les forces de rebond.
- **Si la lame de scie est coincée ou bien si le travail est interrompu, arrêter la scie et la retenir calmement dans le matériau, jusqu'à ce que la lame de scie s'immobilise. Ne jamais essayer de la dégager ou de la tirer en arrière hors de la pièce, tant que la lame de scie est en mouvement, sinon un rebond se produit.** Déterminer la cause du coincement de la lame de scie et y remédier.



- Pour faire redémarrer une scie bloquée dans une pièce, centrer la lame de scie dans l'interstice de coupe et vérifier que les dents de la scie ne restent pas accrochées dans la pièce à travailler. Si la lame de scie se coince, elle peut ressortir du matériau ou provoquer un rebond, si elle est remise en marche.
- Étayer les grands panneaux pour éviter le risque de contrecoup dû au coincement d'une lame de scie. Entraînés par leur poids propre, des grands panneaux risquent de fléchir. Les panneaux doivent être étayés des deux côtés et ce, aussi bien à proximité de l'interstice de sciage que du bord.



Ill. 31 : appui incorrect et correct

- **Ne pas utiliser de lames de scie émoussées ou endommagées.** Des lames de scie, dont les dents sont émoussées ou mal orientées, provoquent une friction accrue, due à un interstice de coupe trop étroit, le blocage de la lame de scie et un rebond.
- **Définir avant le sciage les réglages de la profondeur et de l'angle de coupe.** Si les réglages varient pendant le sciage, la lame de scie risque de rester coincée et de provoquer un rebond.
- **Faire preuve d'une vigilance à toute épreuve en sciant dans des murs présents ou dans d'autres zones non visibles.** En pénétrant dans des objets masqués, la lame de scie risque de se bloquer et de provoquer un rebond.

### Fonction du capot protecteur inférieur

- **Vérifier avant chaque utilisation si le capot protecteur ferme bien. Ne pas utiliser la scie, si le capot manque de mobilité et ne se ferme pas immédiatement. Ne jamais bloquer ou attacher le capot protecteur, sans quoi la lame de scie ne serait pas protégée.** Si la scie tombe par inadvertance, le capot protecteur risque de se voiler. S'assurer que le capot protecteur se déplace librement et qu'il n'entre en contact ni avec la lame de scie, ni avec d'autres pièces dans n'importe quel angle et quelle profondeur de coupe.
- **Vérifier le fonctionnement des ressorts du capot protecteur inférieur. Faire réparer la scie avant l'utilisation, si le capot protecteur inférieur et les ressorts ne fonctionnent pas correctement.** Des pièces endommagées, des dépôts collants ou des amas de copeaux ralentissent le travail du capot protecteur inférieur.

- **N'ouvrir le capot protecteur inférieur à la main que pour des coupes spéciales en plongée ou en équerre. Ouvrir le capot protecteur inférieur avec le levier de rappel et le relâcher dès que la lame de scie pénètre dans la pièce à travailler.** Pour tous les autres travaux de sciage, le capot protecteur devrait fonctionner automatiquement.
- **Ne pas poser la scie sur un établi ou sur le sol sans que la lame de scie ne soit protégée par le capot protecteur inférieur.** Une lame de scie non protégée en postfonctionnement déplace la scie dans le sens inverse de la coupe et scie tout ce qu'elle rencontre en chemin. Respecter par conséquent la durée de postfonctionnement de la lame de scie.

### Fonction du couteau diviseur

- **Utiliser la lame de scie adaptée au couteau diviseur.** Pour que le couteau diviseur agisse, la lame mère de la lame de scie doit être plus mince que le couteau diviseur et la largeur de dent supérieure à l'épaisseur du couteau diviseur.
- **Ajuster le couteau diviseur, comme décrit dans la présente notice d'emploi.** Des écarts, positions et alignements incorrects peuvent constituer la raison pour laquelle le couteau diviseur n'évite pas efficacement un rebond.
- **Toujours utiliser le couteau diviseur, sauf pour les « coupes en plongée »** Remonter le couteau diviseur à l'issue de la coupe en plongée. Le couteau diviseur perturbant les coupes en plongée, il peut générer un rebond. Ce paragraphe n'est valable que pour les scies circulaires portatives sans couteau diviseur pivotant (connu sous le nom de FLIPPKEIL MAFELL). Le FLIPPKEIL revient dans la machine lors de coupes en plongée.
- **Pour que le couteau diviseur puisse être efficace, il ne doit pas se trouver dans l'interstice de sciage.** Dans le cas de coupes courtes, le couteau diviseur est inefficace pour la prévention d'un rebond.
- **Ne pas exploiter la scie avec un couteau diviseur tordu.** Le moindre défaut risque déjà de ralentir la fermeture du capot de protection.

**CONSERVER LES PRÉSENTES INSTRUCTIONS !**

### 3.5 Dispositifs de sécurité

## Danger



### Risque de blessure dû à l'absence de dispositifs de sécurité

Ces dispositifs étant nécessaires au fonctionnement sécurisé de la machine, il est interdit de les retirer ou de les ponter.

- Avant le fonctionnement, vérifier si les dispositifs de sécurité fonctionnent et s'ils sont éventuellement endommagés.
- Ne pas utiliser la machine avec des dispositifs de sécurité absents ou inefficaces.

La machine est équipée des dispositifs de sécurité suivants :

Dispositif de sécurité	Type de contrôle
Capot protecteur supérieur fixe	Contrôle optique du bon état
Capot protecteur inférieur mobile	Contrôle du fonctionnement (ouverture intégrale et fermeture brusque, sans à-coup)
Socle large	Contrôle visuel quant aux endommagements et déformations
Poignées	Contrôle optique du bon état
Couteau diviseur	Contrôle visuel quant aux endommagements et déformations
(Frein moteur)	Contrôle du fonctionnement (la durée de freinage maxi ne doit pas excéder 2 secondes)
Tubulure d'aspiration	Contrôle visuel quant à l'endommagement et l'obturation

Si les dispositifs de sécurité sont endommagés ou ne fonctionnent pas correctement, respecter les consignes du chapitre Élimination des défauts. Sinon, veuillez contacter votre concessionnaire ou directement le service après-vente MAFELL.

### 3.6 Risques résiduels

 <b>Avertissement</b>	
	<p><b>Risque de blessure en travaillant avec la machine</b></p> <p>Même dans le cadre de l'utilisation conforme et du respect des consignes de sécurité, certains risques résiduels émanent de l'utilisation et peuvent être à l'origine de problèmes de santé.</p> <ul style="list-style-type: none"><li>➤ Respecter les consignes de sécurité et informations fournies dans les présentes instructions.</li><li>➤ Toujours travailler avec une attention accrue et le maximum de vigilance en manipulant la machine.</li></ul>

Font également partie des risques résiduels :

- Contact avec la lame de scie dans la zone de la fente de translation sous la plaque de base.
- Contact lors du sciage, de la partie de lame se trouvant sous la pièce à travailler.
- Contact de pièces en rotation sur le côté : lame de scie, flasque de serrage, vis de flasque.
- Contrecoup de la machine lors du coincement dans la pièce à travailler.
- Rupture et éjection de la lame de scie ou de morceaux de la lame de scie.
- Lésion de l'ouïe lors de travail long et continu sans protection auditive.
- Émission de sciures de bois nuisant à la santé lors d'un travail long et continu sans aspiration.

## 4 Équipement / Réglage

### 4.1 Charger le bloc batterie

La batterie et le chargeur sont adaptés l'un à l'autre. Pour le chargement, n'utiliser que les chargeurs MAFELL.

Lorsque la machine est neuve, commencer par charger le bloc batterie.



La procédure de chargement est décrite dans les instructions fournies « Chargeur APS M ».

Une durée de fonctionnement sensiblement plus courte par chargement indique que le bloc batterie est usé et qu'il doit être remplacé.

Le bloc batterie est équipé d'une surveillance de température qui garantit que le bloc batterie n'est rechargé que dans une plage de températures entre 0 °C (32 °F) et 50 °C (122 °F). Ceci permet d'obtenir une grande durée de vie du bloc batterie.

## ⚠ Avertissement



### Risque d'incendie et d'explosion dû à la surchauffe ou à l'humidité

De fortes températures et de l'humidité risquent de provoquer des court-circuits sur les blocs batteries. Risque d'incendie et d'explosion.

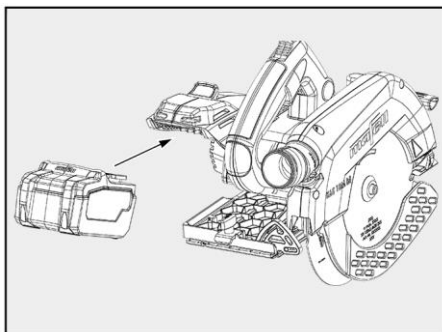
- Protéger le bloc batterie contre la chaleur, le feu et l'humidité.
- Ne pas exposer le bloc batterie à des températures supérieures à 50 °C (122 °F).
- Conserver le bloc batterie à une température entre 10 °C (50 °F) et 30 °C (86 °F).
- Faire refroidir le bloc batterie avant le chargement, s'il s'est échauffé.

### 4.2 Insérer le bloc batterie

Avant l'insertion, vérifier si la tension nominale du bloc batterie correspond à l'indication faite sur la machine.

#### Pour insérer le bloc batterie dans la machine en marche, procéder de la manière suivante :

1. Introduire le bloc batterie chargé dans le compartiment batterie, jusqu'à ce qu'il s'encliquette sensiblement.
2. S'assurer de la bonne assise du bloc batterie dans la machine.
  - ✓ Le bloc batterie est mis en place dans la machine

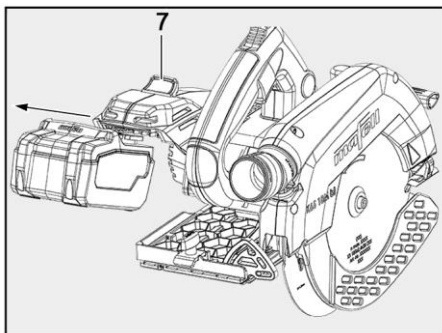


III. 32 : mise en place du bloc batterie dans la machine

### 4.3 Retirer le bloc batterie

#### Pour retirer le bloc batterie, procéder de la manière suivante :

1. Pousser le levier de verrouillage de bloc batterie 7 et le maintenir appuyé.
2. Dégager le bloc batterie du guidage.
  - ✓ Le bloc batterie est retiré.



III. 33 : retrait du bloc batterie

#### 4.4 Aspiration des copeaux

### Attention



#### **Dangers pour la santé dus à la poussière de bois**

Les poussières se dégageant pendant le travail sont inhalées et peuvent nuire à la santé.

- Les poussières nuisant à la santé doivent être aspirées à l'aide d'un aspirateur HEPA 13.
- Porter un masque anti-poussière pendant le travail.

Raccorder la machine à un dispositif d'aspiration externe approprié avant d'effectuer des travaux avec un fort dégagement de poussière. La vitesse de l'air doit être d'au moins 20 m/s [65 ft/sec].

Le diamètre intérieur de la tubulure d'aspiration est de 35 mm [1.4 in].

Pour des travaux de courte durée, pendant lesquels une légère quantité de poussière risque de se dégager, le sac de copeaux fourni peut servir d'aspiration intégrée.

#### 4.5 Choix de la lame

Pour obtenir une bonne qualité de coupe, utiliser un outil affûté et choisir une lame dans le tableau suivant, en fonction du matériau et de l'application :

##### **Coupe de bois tendre et dur, en particulier dans le sens longitudinal par rapport au sens des fibres :**

- lame de scie circulaire en carbure Ø 185 x 1,8 x 20 mm, 16 dents [Ø 7,28 x 0,07 x 0,79 in]

##### **Coupe de bois tendre ou dur, en particulier dans le sens transversal par rapport au sens des fibres :**

- lame de scie circulaire en carbure Ø 185 x 1,8 x 20 mm, 32 dents [Ø 7,28 x 0,07 x 0,79 in]

## 4.6 Changement de lame

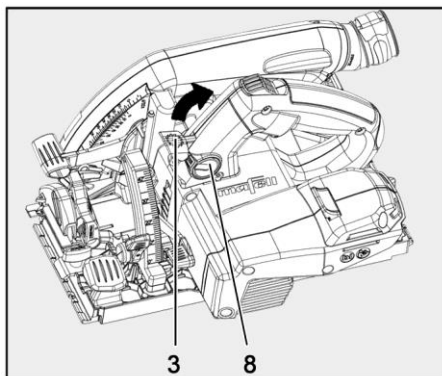

**Attention**
**Risque de blessure dû à la lame de scie acérée**

La lame de scie est acérée. Lors du remplacement de la lame de scie, il est possible de s'y blesser.

- Porter des gants de protection pour remplacer la lame de scie.
- Faire preuve de vigilance en remplaçant la lame de scie.

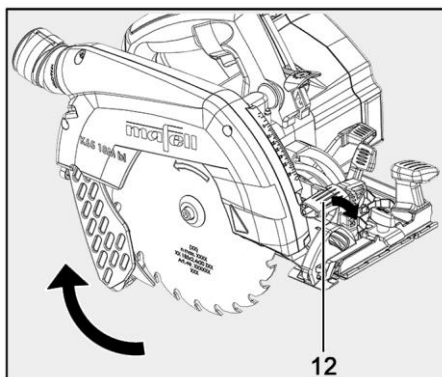
**Pour remplacer la lame de scie, procéder de la manière suivante :**

1. Retirer le bloc batterie de la machine.
2. Poser la machine sur une surface plane.
3. Actionner et maintenir le poussoir 8 actionné.
4. Tirer le levier de blocage 3 vers le haut.
  - Le levier de commande est verrouillé Le mécanisme de verrouillage de la lame de scie est activé.



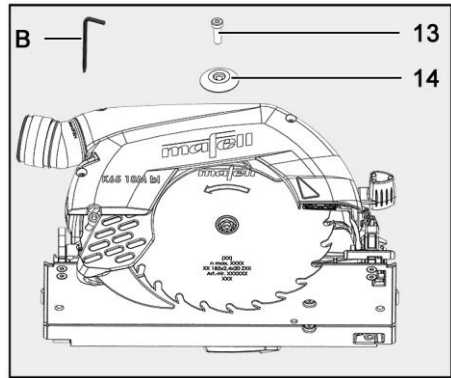
III. 34 : blocage de l'arbre de scie

5. Le capot protecteur mobile peut être ouvert en position maximale à l'aide du levier de préchargement 12 ou à la main.
  - Pour retirer la lame de scie, retenir le capot protecteur d'une main en position ouverte.

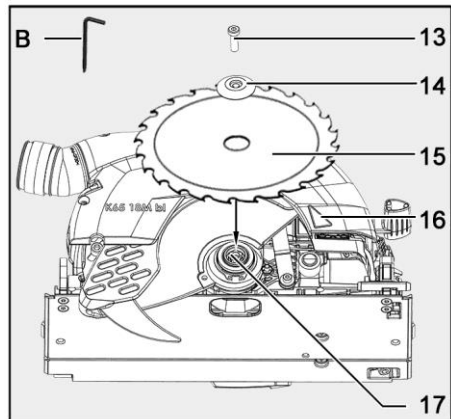


III. 35 : ouverture du capot protecteur

6. Tourner la machine l'unité moteur. La lame de scie est dirigée vers le haut.
7. Insérer la clé à six pans B dans la vis de bride 13 et visser cette dernière **dans le sens inverse des aiguilles d'une montre**, jusqu'à ce que l'arbre de scie s'encliquette dans le cran d'arrêt.
  - La lame de scie est maintenue en position et la vis de bride peut être dévissée.
8. Dévisser la vis de bride 13 **dans le sens inverse des aiguilles d'une montre**, à l'aide de la clé à six pans B.
9. Retirer la vis de bride 13 ainsi que la bride de serrage avant 14.
10. Retirer la lame de scie usée.
  - Les brides de serrage doivent être exemptes de particules adhérentes !
  - La lame de scie neuve peut être alors montée.
11. Poser la lame de scie neuve 15 sur la bride arrière 17.
  - Lors de la mise en place de la lame de scie, faire attention au sens de rotation. Les dents de scie ou la flèche sur la lame de scie 15 doivent être dirigées vers la flèche 16 se trouvant sur la machine.
12. Insérer la bride de serrage 14 et la vis de bride 13.
13. Visser la vis de bride 13 **dans le sens des aiguilles d'une montre**, à l'aide de la clé à six pans B.
  - La lame de scie est fixée.



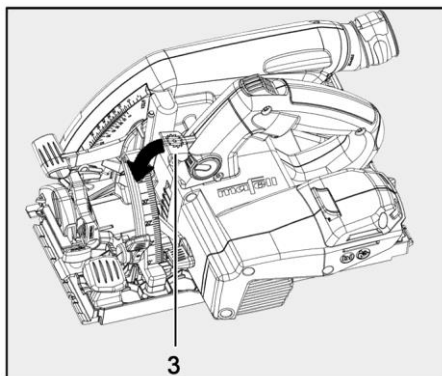
III. 36 : retrait de la lame de scie usée



III. 37 : remplacement de la lame de scie



14. Fermer ensuite le capot protecteur mobile.
15. Presser le levier de blocage 3 vers le bas.
  - Le mécanisme de verrouillage de la lame de scie est désactivé.
  - Le levier de commande est déverrouillé.
  - ✓ La lame de scie est remplacée.



Ill. 38 : déverrouillage du levier de commande

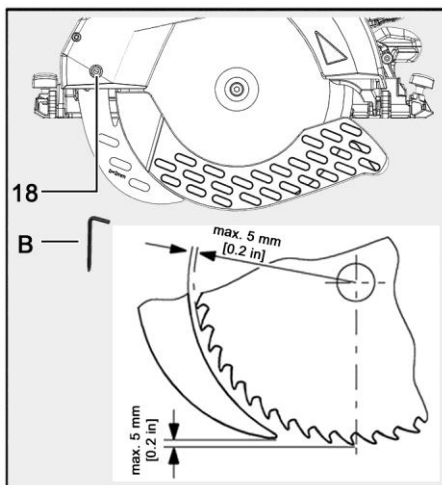
#### 4.7 Couteau diviseur

Le couteau diviseur empêche le coincement de la lame de scie lors de la coupe longitudinale. En outre, le couteau diviseur revient dans la machine lors de coupes en plongée. Ceci empêche des rebonds lors du sciage.

L'écart correct par rapport à la lame de scie est représenté dans l'illustration.

**Pour régler l'écart du couteau diviseur, procéder de la manière suivante :**

1. Retirer le bloc batterie de la machine.
2. Pour le réglage, dévisser la vis 18 **dans le sens inverse des aiguilles d'une montre**, à l'aide de la clé à six pans B fournie.
3. Régler le couteau diviseur en le décalant dans sa fente oblongue.
  - Respecter l'écart maximal par rapport à la lame de scie (voir ill. 39).
4. Serrer ensuite de nouveau la vis 18 **dans le sens des aiguilles d'une montre**, à l'aide de la clé à six pans B.
  - ✓ L'écart du couteau diviseur est réglé.



Ill. 39 : écart entre le couteau diviseur et la lame de scie

## 5 Fonctionnement

### 5.1 Mise en service

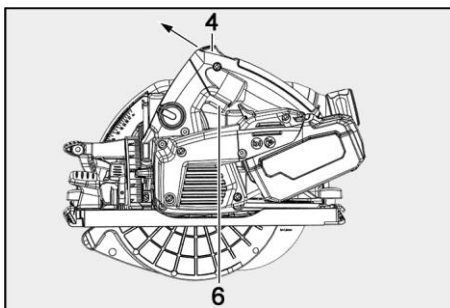
#### Avertissement

La présente notice d'emploi doit être portée à la connaissance du personnel chargé de travailler avec la machine, une attention particulière devant être accordée au chapitre « consignes de sécurité ».

### 5.2 Mise en marche

**Pour mettre la machine en marche, procéder de la manière suivante :**

1. Presser le blocage d'enclenchement 4 vers l'avant, pour le déverrouillage.
2. Actionner le levier de commande 6 et le maintenir appuyé, tout en pressant le blocage d'enclenchement.
3. Relâcher le blocage d'enclenchement 4.
  - ✓ La machine est enclenchée



III. 40 : mise en marche de la machine



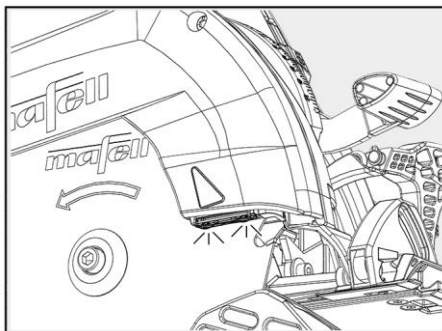
Vu qu'il s'agit d'un interrupteur sans blocage, la machine continue de fonctionner tant que le levier de commande est pressé. La conception du moteur permet l'arrêt très rapide de la machine après la mise hors service. (Frein moteur)

### 5.3 Éclairage

Pour assurer le vaste éclairage de la zone de travail, la machine est équipée d'un module d'éclairage.

Ce module est activé dès la mise en marche de la machine.

Le mode est automatiquement désactivé pendant un arrêt prolongé de la machine.

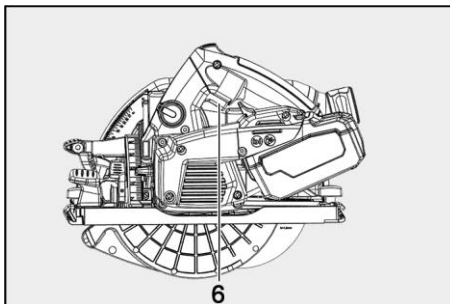


III. 41 : module d'éclairage sur la machine

#### 5.4 Arrêt

**Pour arrêter la machine, procéder de la manière suivante :**

1. Relâcher le levier de commande 6.
  - Le frein automatique monté permet de limiter à 2 s environ la durée de décélération de la lame de scie.
  - Le blocage d'enclenchement redevient actif et protège la scie circulaire portable contre tout enclenchement involontaire.
  - ✓ La machine est arrêtée.



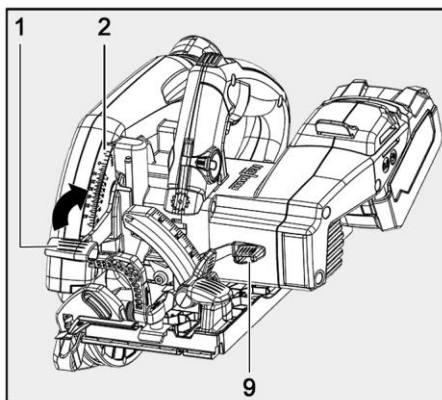
III. 42 : arrêter la machine

### 5.5 Réglage de la profondeur de coupe

La profondeur de coupe peut être réglée progressivement dans une plage de 0 à 66 mm [0 à 2.6 in].

**Pour régler la profondeur de coupe, procéder de la manière suivante :**

1. Desserrer le levier de serrage 9.
2. Régler la profondeur de coupe à l'aide du levier de plongée 1.
  - La profondeur de coupe peut être relevée sur l'échelle graduée 2 se trouvant sur le couvercle. Le plan sur fond rouge du levier de plongée 1 sert d'indicateur.
3. Resserrer le levier de serrage 9 à fond.
  - ✓ La profondeur de coupe est réglée.



Ill. 43 : réglage de la profondeur de coupe



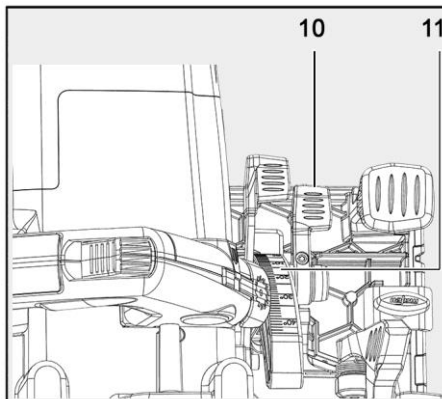
Toujours régler la profondeur de coupe de séparation de manière à ce qu'elle ait jusqu'à 2 à 5 mm [0.08 à 0.2 in] de plus environ que l'épaisseur du matériau à couper.

### 5.6 Réglage pour coupes biaisées

Pour les coupes biaisées, le groupe de sciage peut être réglé sur un angle quelconque de 0° à 45°.

**Pour régler le groupe de sciage pour des coupes biaisées, procéder de la manière suivante :**

1. Pour la coupe biaisée, poser la machine et l'étayer de manière à ce que le groupe de sciage puisse être pivoté.
2. Desserrer le levier 10.
3. Régler l'angle en fonction de la graduation 11 sur le segment à pivoter.
4. Serrer ensuite le levier 10 à fond.
  - ✓ Le groupe de sciage est réglé sur l'angle voulu pour la coupe biaisée.



Ill. 44 : réglage du groupe de sciage pour coupes biaisées

## 5.7 Coupes en plongée

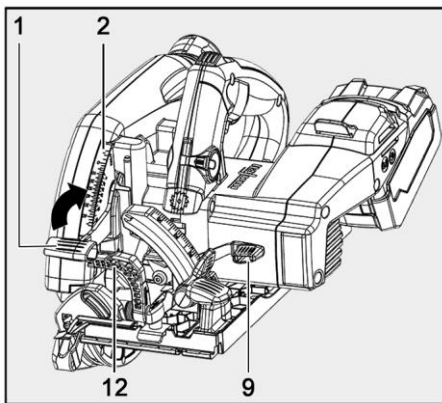

**Avertissement**
**Risque de rebond lors de la coupe en plongée !**

Des coincements pendant des coupes en plongée peuvent provoquer un rebond de la machine. Ceci peut être à l'origine de graves blessures.

- Avant la plongée, aligner le bord arrière de la plaque de base de la machine par rapport à une butée fixée sur la pièce à usiner fixée.
- Bien retenir la machine au niveau de la poignée, lors de la plongée, et la faire progresser doucement vers l'avant !

**Pour effectuer des coupes en plongée, procéder de la manière suivante :**

1. Desserrer le levier de serrage 9.
2. Régler la machine dans la position tout à fait en haut, à l'aide du levier de plongée 1.
3. Ouvrir complètement le capot protecteur mobile à l'aide du levier de préchargement 12, de manière à ce que la machine puisse être posée sur la pièce à usiner.
  - La lame de scie et le couteau diviseur se trouvent alors librement au-dessus du matériau.
4. Aligner la machine sur la pièce à travailler pour la coupe en plongée.
5. Mettre la machine en marche et presser le levier de plongée. 1 vers le bas.
  - Ceci permet à la lame de scie de plonger à la verticale dans la pièce à usiner. La profondeur de plongée est indiquée sur la graduation 2. Le couteau diviseur s'écarte vers le haut lors de la plongée. En progressant, la machine libère l'interstice en aval de la lame de scie, de sorte que le couteau diviseur reprend sa position normale.
6. Arrêter l'avance à la fin de la coupe en plongée.
7. Arrêter la machine.
8. Tirer la lame de scie hors de la fente de scie avec le levier de plongée 1.
9. Resserer le levier de serrage 9 à fond.
  - ✓ La coupe en plongée est faite.



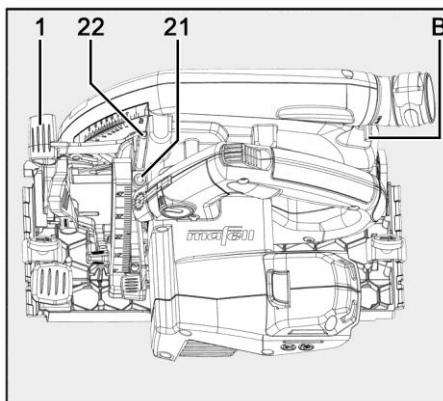
III. 45 : coupe en plongée



En cas de coupes en plongée répétées ayant la même profondeur, la profondeur de plongée peut être pré-réglée.

**Pour régler la profondeur de plongée, procéder de la manière suivante :**

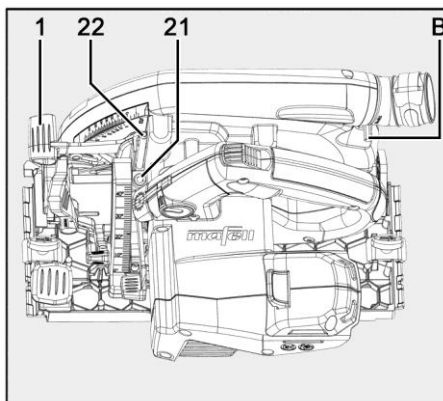
1. Régler la machine sur la profondeur de plongée souhaitée, à l'aide du levier de plongée 1.
  2. Dévisser la vis de serrage 21 à l'aide de la clé à six pans B.
    - La barre de butée 22 descend jusqu'à la butée.
  3. Resserrer la vis de serrage 21 à fond.
    - Il est possible d'effectuer plusieurs coupes en plongée avec la même profondeur.
    - À l'issue des opérations de plongée à la même profondeur, remettre la barre de butée dans la position supérieure pour la pleine profondeur de plongée.
- ✓ La profondeur de plongée est préréglée.



III. 46 : préréglage de la profondeur de plongée

**Pour régler de nouveau la pleine profondeur de plongée, procéder de la manière suivante :**

1. Dévisser la vis de serrage 21 à l'aide de la clé à six pans B.
2. Régler la machine sur la profondeur de coupe maximale. Pousser pour cela le levier de plongée 1 jusqu'en butée vers le bas.
  - La barre de butée se déplace dans la position tout à fait en haut.
3. Resserrer la vis de serrage 21 à fond.
  - ✓ La profondeur de plongée intégrale est de nouveau disponible.

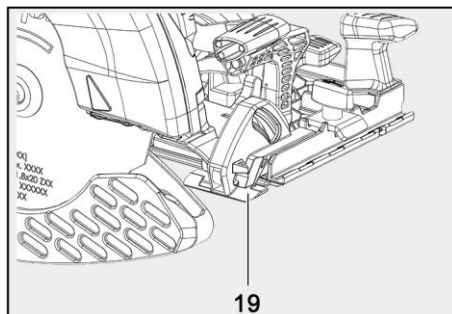


III. 47 : réinitialisation de la profondeur de coupe

### 5.8 Sciage d'après tracé

La plaque de base possède un traceur mobile qui s'adapte automatiquement lors de coupes biaisées. Ce bord de traçage 19 correspond à la partie intérieure de la lame de scie (côté faisant face au moteur).

Pour les coupes biaisées, on peut voir le tracé par l'ouverture pratiquée sur la partie intérieure du capot protecteur supérieur (à gauche dans le sens de la coupe).



Ill. 48 : bord de traçage

#### Pour scier d'après un tracé, procéder de la manière suivante :

1. Retenir la machine au niveau des poignées et poser la partie avant de la plaque de base sur la pièce à travailler.
  2. Positionner le bord de traçage 19 sur le tracé de la pièce à travailler.
  3. Mettre la machine en marche.
  4. Veiller à ce que le bord de traçage 19 et le bord avant de la lame de scie soient guidés le long du tracé
  5. Pousser la machine de manière régulière dans le sens de la coupe.
  6. Arrêter la machine à la fin de la coupe.
- ✓ Le sciage d'après tracé est terminé.

### 5.9 Sciage avec le guide parallèle

Le guide parallèle C sert au sciage parallèle par rapport à un chant déjà présent. Le guide peut être posé aussi bien à droite (côté moteur) qu'à gauche (côté outil) sur la machine. L'écart réglable possible est de 163 à 575 mm [6,42 à 11,81 in] sur le côté droit et de 130 à 370 mm [1,30 à 5,12 in] sur le côté gauche. Dans la plage de 163 à 260 mm [6,42 - 8,66 in], la machine doit être réglée de 10 mm [0,4 in] environ vers le haut, pour que la butée puisse être poussée sous le carter du moteur.

La largeur réglée peut être relevée sur les graduations des barres de guidage. Les chants de la plaque de base marqués en rouge servent d'indicateurs.

## Avertissement



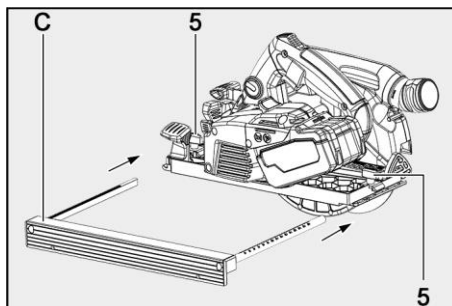
#### Risque de blessure dû au non-fonctionnement du capot protecteur

Si le guide parallèle est utilisé en-dessous de la cote minimum, il risque d'entraver le fonctionnement du capot protecteur inférieur. Il est possible que la lame de scie soit librement accessible.

- N'utiliser le guide parallèle que dans les plages autorisées pour la coupe. Respecter pour cela les graduations sur les barres de guidage.

**Pour mettre le guide parallèle en place, procéder de la manière suivante :**

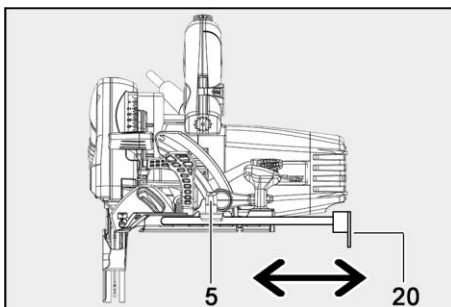
1. Dévisser les vis à ailette 5 des deux côtés.
2. Placer le guide parallèle C dans le guidage prévu à cet effet.
  - Ce dernier peut être logé du côté gauche ou droit de la machine.
3. Resserrer les vis à ailettes 5 des deux côtés.
  - ✓ La butée parallèle est mise en place.



III. 49 : mise en place du guide parallèle

**Pour régler la largeur de coupe, procéder de la manière suivante :**

1. Dévisser les vis à ailette 5 des deux côtés.
2. Régler le guide parallèle.
3. Resserrer les vis à ailettes 5 des deux côtés.
  - ✓ La largeur de coupe est réglée



III. 50 : réglage de la largeur de coupe à l'aide du guide parallèle



En outre, si on le retourne simplement (la languette de guidage 20 étant dirigée vers le haut), le guide parallèle peut également servir de double appui pour améliorer le guidage de la scie circulaire portable.

La machine avec le guide parallèle peut être également guidée le long d'une règle de guidage ou d'une barrette en bois fixée sur la pièce à usiner. Pour cela, le guide parallèle doit être tourné pour que la languette de guidage 20 soit dirigée vers le haut.



## 5.10 Travail avec des accessoires supplémentaires

Divers accessoires supplémentaires sont disponibles pour la machine. Une vue d'ensemble se trouve au chapitre 8 Accessoires supplémentaires.

Certains types d'utilisation sont explicités par la suite.

### 5.10.1 Travail avec le rouleau-guide

Le rouleau-guide I sert à travailler parallèlement à un bord déjà présent. Le guide peut être posé aussi bien à droite (côté moteur) qu'à gauche (côté outil) sur la machine. L'écart réglable possible est de 30 à 210 mm [1,18 à 8,27 in] sur le côté droit et de 12 à 40 mm [0,47 à 1,57 in] sur le côté gauche.

La largeur réglée peut être relevée sur les graduations des barres de guidage. Les chants de la plaque de base marqués en rouge servent d'indicateurs.

## Avertissement



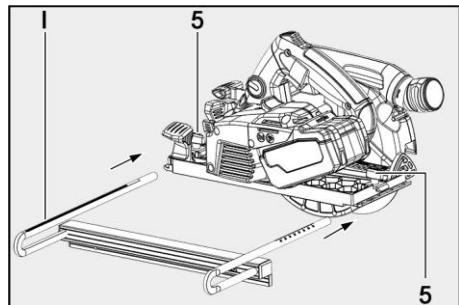
### Risque de blessure dû au non-fonctionnement du capot protecteur

Si le rouleau-guide est utilisé en-dessous de la cote minimum, il risque d'entraver le fonctionnement du capot protecteur inférieur. Il est possible que la lame de scie soit librement accessible.

- N'utiliser le rouleau-guide que dans les plages autorisées pour la coupe. Respecter pour cela les graduations sur les barres de guidage.

### Pour mettre le rouleau-guide en place, procéder de la manière suivante :

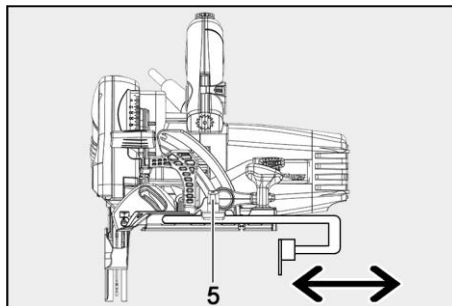
1. Dévisser les vis à ailette 5 des deux côtés.
2. Placer le rouleau-guide I dans le guidage prévu à cet effet.
  - Ce dernier peut être logé du côté gauche ou droit de la machine.
3. Resserrer les vis à ailettes 5 des deux côtés.
  - ✓ Le rouleau-guide est mise en place.



III. 51 : mise en place du rouleau-guide

**Pour régler la largeur de coupe, procéder de la manière suivante :**

1. Dévisser les vis à ailette 5 des deux côtés.
2. Régler le rouleau-guide.
3. Resserrer les vis à ailettes 5 des deux côtés.  
✓ La largeur de coupe est réglée



Ill. 52 : réglage de la largeur de coupe à l'aide du rouleau-guide

### 5.10.2 Travail avec le dispositif de guidage



La description du dispositif de guidage se trouve dans le mode d'emploi « Dispositif de guidage L/M/ML/S » joint.

## 6 Entretien et maintenance

Les machines MAFELL sont conçues pour fonctionner avec très peu d'entretien.

Les roulements à billes utilisés sont graissés à vie. Après une longue période d'utilisation, nous recommandons de faire réviser la machine par un service après-vente MAFELL agréé.

### 6.1 Stockage

Nettoyer soigneusement la machine si elle ne doit pas servir pendant une période prolongée. Vaporiser les parties nues du métal avec un agent anticorrosion.

### 6.2 Transport

Lors de l'expédition des blocs batteries, les exigences particulières posées à l'emballage et au marquage doivent être respectées. Les blocs batteries Li-ion contenus sont soumises aux impératifs de la législation sur les marchandises dangereuses.

N'expédier les blocs batteries que si le boîtier est intact.

Avant l'expédition, fixer les bornes du bloc batterie avec du ruban adhésif non conducteur (par ex. ruban isolant) et emballer les blocs batteries de façon à ce qu'ils ne bougent pas dans l'emballage.

Respecter également toute autre réglementation nationale.

### 6.3 Élimination du bloc batterie

Ne pas jeter les blocs batteries dans les ordures ménagères ! Les blocs batteries défectueux ou usagés doivent être collectés séparément et recyclés dans le respect de l'environnement.

Remettre les blocs batteries à des centres de recyclage électronique certifiés.

Avant de les remettre, fixer les bornes des blocs batteries avec du ruban adhésif non conducteur (par ex. ruban isolant) et/ou placer les blocs batteries dans des sacs en plastique séparés. Même les blocs batteries usagés peuvent avoir suffisamment d'énergie pour provoquer des blessures blesser ou déclencher des incendies.

## 7 Élimination des défauts

### Avertissement



#### Risque de blessures dues au démarrage brusque de la machine

La machine peut démarrer brusquement, à la suite d'une inadvertance pendant le travail ou de l'élimination de défauts. De graves blessures dues à la lame de scie en rotation peuvent en être la conséquence.

- La détermination des causes de dérangements présents et leur élimination exigent toujours une attention et précaution particulières !
- Débrancher la fiche du secteur avant d'éliminer des défauts !

Les dérangements les plus fréquents et leurs causes sont décrits ci-après. Pour tout autre dérangement, veuillez contacter votre concessionnaire ou directement le service après-vente MAFELL.

Dérangement	Cause	Remède
Impossible d'enclencher la machine.	Pas de bloc batterie inséré	Insérer le bloc batterie
	Bloc batterie déchargé	Charger le bloc batterie
	Bloc batterie pas encliqueté en position finale	Encliqueter complètement le bloc batterie
La puissance de la machine diminue.	Bloc batterie presque vide, une diode clignote sur le bloc batterie.	Recharger le bloc batterie si une seule diode est allumée.
Surcharge, la machine se coupe d'elle-même.	À la suite d'une sollicitation prolongée, la machine ou le bloc batterie a surchauffé. Un signal d'alarme retentit (bip sonore permanent). Il s'arrête au bout de 30 secondes maximum ou après le relâchement de la détente d'interrupteur.	Laisser refroidir la machine et le bloc batterie. Le bloc batterie peut refroidir plus vite lorsqu'il est inséré dans un chargeur avec refroidissement d'air. La machine peut également refroidir plus rapidement avec une autre batterie en marche à vide.
La machine se coupe lors d'un brusque surcroît de charge.	Plus la sollicitation augmente, plus le courant nécessaire à la machine augmente aussi. Cette augmentation, qui se produit lors d'un blocage brusque ou d'un contrecoup, est mesurée et aboutit à une coupure.	Couper la machine en relâchant la détente d'interrupteur. Après cela, la machine peut être réenclenchée et le travail peut se poursuivre normalement. Essayer d'éviter des blocages supplémentaires.

Dérangement	Cause	Remède
La lame de scie coince lors de l'avance de la machine.	Avance trop rapide	Réduire la vitesse d'avance
	Lame émoussée	Relâcher immédiatement l'interrupteur. Dégager la machine de la pièce à travailler et changer la lame de scie
	Tensions dans la pièce à travailler	Vigilance accrue lors du sciage, augmentation du risque de rebond.
	Mauvais guidage de la machine (par ex. suite à un guidage mains libres)	Utiliser le guide parallèle
	Surface irrégulière de la pièce à travailler	Niveler la surface
La lame de scie vibre dans la pièce	Lame de scie mal ajustée	Parfaire le serrage de la lame de scie
	Pièce non fixée	Fixer la pièce avec des pinces
La lame de scie reste immobile - le moteur continue de tourner	Lame de scie mal fixée	Parfaire le serrage de la lame de scie
Traces de brûlure au niveau des points de coupe	Lame de scie émoussée ou inappropriée au travail	Changer la lame de scie
Sortie de copeaux obstruée	Bois trop humide	Nettoyer la sortie de copeaux
	Travail trop long sans aspiration	Raccorder la machine à une installation d'aspiration externe, p. ex. aspirateur mobile pour la sciure
Capot protecteur inférieur mobile ne fermant pas ou ne fermant que lentement	Présence de copeaux et bouts de bois dans le capot protecteur inférieur mobile	Enlever les copeaux et bouts de bois

## 8 Accessoires supplémentaires

- Lame de scie en carbure Ø 185 x 1,8 x 20 mm, 16 dents [Ø 7,28 x 0,07 x 0,79 in] (coupe longitudinale) Réf. 092494
- Lame de scie en carbure Ø 185 x 1,8 x 20 mm, 32 dents [Ø 7,28 x 0,07 x 0,79 in] (coupe transversale) Réf. 092493
- Règle de guidage F80, 800 mm [31,5 in] de long Réf. 204380
- Règle de guidage F110, 1100 mm [43,3 in] de long Réf. 204381
- Règle de guidage F160, 1600 mm [63 in] de long Réf. 204365
- Règle de guidage F210, 2100 mm [82,7 in] de long Réf. 204382
- Règle de guidage F310, 3100 mm [122 in] de long Réf. 204383
- Butée angulaire F-WA Réf. 205357
- Accessoires pour la règle de guidage :
  - Serre-joints F-SZ100MM (2 pcs) Réf. 205399
  - Pièce de raccordement F-VS Réf. 204363
  - Lot système de guidage F160 Réf. 204626
- Kit lot système de guidage F80/160 avec butée angulaire, comprenant : F80 + F160 + pièce de raccordement + butée angulaire + 2 serre-joints + lot système de guidage Réf. 204749
- Kit lot système de guidage F160/160 comprenant : 2 x F160 + pièce de raccordement + 2 serre-joints + lot système de guidage Réf. 204805
- Pare-rebond F-RS Réf. 202867
- Rouleau-guide K85-UA Réf. 205166
- Dispositif de guidage M Réf. 208170
- Dispositif de guidage ML Réf. 204378
- Chargeur APS M Réf. 095220
- Bloc puissance batterie 18 M 99 LiHD Li-Ion, 18V Réf. 094503

## 9 Schéma éclaté et liste de pièces de rechange




Les informations correspondantes, relatives aux pièces de rechange, se trouvent sur notre page web : [www.mafell.com](http://www.mafell.com)

**Índice de contenidos**

1	Leyenda.....	63
1.1	Denominación del equipo.....	65
2	Datos del producto.....	65
2.1	Datos técnicos.....	65
2.2	Contenido.....	66
2.3	Mandos.....	66
3	Seguridad general.....	67
3.1	Uso correcto.....	67
3.2	Usos incorrectos previsibles.....	67
3.3	Instrucciones de seguridad.....	68
3.4	Reglas de seguridad específicas.....	69
3.5	Dispositivos de seguridad.....	73
3.6	Riesgos restantes.....	74
4	Equipamiento / Ajustes.....	74
4.1	Cargar el acumulador.....	74
4.2	Colocar el acumulador.....	75
4.3	Desmontar el acumulador.....	75
4.4	Sistema de aspiración de virutas.....	76
4.5	Selección de la hoja de sierra.....	76
4.6	Cambio de la hoja de sierra.....	77
4.7	Cuña de partir.....	79
5	Funcionamiento.....	80
5.1	Puesta en funcionamiento.....	80
5.2	Conectar.....	80
5.3	Luz.....	80
5.4	Desconexión.....	81
5.5	Ajuste de la profundidad de corte.....	82
5.6	Ajustes para cortes inclinados.....	82
5.7	Cortes de incisión.....	83
5.8	Serrar por la línea de trazado.....	85
5.9	Cortar con tope paralelo.....	85
5.10	Trabajar con accesorios especiales.....	87
6	Mantenimiento y reparación.....	88
6.1	Almacenaje.....	88
6.2	Transporte.....	88
6.3	Eliminación de la batería.....	88
7	Eliminación de fallos técnicos.....	89
8	Accesorios especiales.....	91
9	Dibujo de explosión y lista de piezas de recambio.....	91







## 1 Leyenda

Este manual de instrucciones tiene los siguientes símbolos de información generales, para guiarle por el manual y le aportarán información importante.

Símbolo	Significado
	<b>Información importante</b> Este símbolo identifica consejos para el personal operario u otra información oportuna.
	Identifica un resultado intermedio en una secuencia de acciones.
	Identifica el resultado final en una secuencia de acciones.





Tab. 9: Símbolos generales y su significado

Los símbolos de advertencia advierten de zonas de peligro, riesgos y obstáculos.

Símbolo	Significado
	<b>Indicación de advertencia</b> Este símbolo identifica las instrucciones de seguridad para el personal operario. De no respetar estas instrucciones, se pondrá en peligro la integridad de las personas.
	Advierte de peligros por descarga eléctrica.
	Advierte de peligros por polvo.
	Advierte de cortes.
	Advierte de cortes o amputación de extremidades.
	Advierte de peligro de incendio y explosión.

Tab. 10: Símbolos de advertencia y su significado




Los símbolos de prohibición sirven para evitar accidentes.

Símbolo	Significado
	Usar lentes protectores.
	Usar mascarilla protectora del polvo.
	Usar protección de oídos.
	Usar guantes protectores.

Tab. 11: Símbolos de prohibición y su significado

Al operar la máquina se realizar siempre acciones que pueden ser peligrosas. Estas acciones peligrosas están indicadas por advertencias que se deben respetar.

#### Clasificación de los niveles de peligro (palabras de advertencia) en advertencias






Indicación de advertencia	Significado y consecuencias por incumplimiento
 <b>Peligro</b>	<b>Peligro</b> inmediato que provoca <b>lesiones graves o la muerte.</b>
 <b>Advertencia</b>	<b>Situación</b> potencialmente peligrosa, que podría <b>provocar lesiones graves o la muerte.</b>
 <b>Precaución</b>	<b>Situación</b> potencialmente peligrosa, que podría provocar <b>lesiones leves.</b>

Tab. 12: Estructura de advertencias



## 1.1 Denominación del equipo

Los símbolos que se explican a continuación pueden aparecer en la placa indicativa o el producto.

Símbolo	Explicación	Símbolo	Explicación
110 V~	Voltios	1, 2, 3, ... I, II, III, ...	Ajuste de la velocidad de marcha
a	Amperes	min <sup>-1</sup>	Revoluciones por minuto
Hz	Hertz	∅	Diámetro de la hoja de sierra
V	Vatios	~	Corriente alterna
kg	Kilogramo (peso)		Clase de protección II
min	Minutos (tiempo)		Leer el manual de instrucciones
s	Segundos (tiempo)		Lentes protectores
n <sub>0</sub>	Velocidad nominal en marcha neutra		Protección de oídos
n	Velocidad nominal con carga normal		Mascarilla protectora del polvo

## 2 Datos del producto

### 2.1 Datos técnicos

Tensión nominal	18 V, DC
Velocidad de la hoja de sierra marcha neutra	4450 rrpm
Profundidad de corte 0°/30°/45°	66/62/53 mm [2.60/2.44/2.09 in]
Base inclinable	0°– 45°
Diámetro de la hoja de sierra máx/mín	185/172 mm [7.28/6.77 in]
Grosor de cuerpo base de la hoja de sierra	1.2 mm [0.05 in]
Ancho de corte herramienta	1.8 mm [0.07 in]
Taladro de alojamiento de la hoja de sierra	20 mm [0.8 in]
Diámetro tubo de aspiración	35 mm [1.4 in]
Peso con batería, sin tope paralelo	4.4 kg [9.7 lbs]
Dimensiones (ancho x largo x altura)	246 x 339 x 267 mm [9.68 x 13.35 x 10.51 in]

## 2.2 Contenido

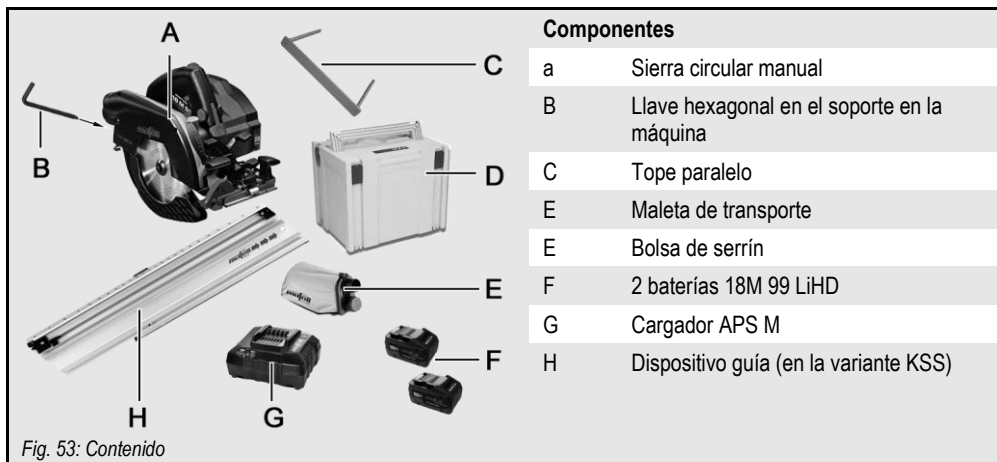


Fig. 53: Contenido

## 2.3 Mandos

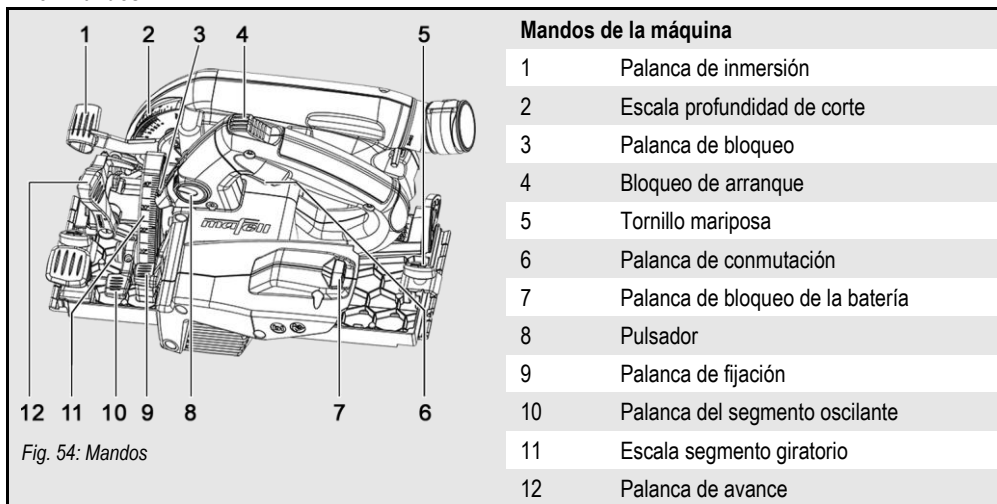


Fig. 54: Mandos

### 3 Seguridad general

#### Advertencia

**Lea todas las indicaciones de seguridad e instrucciones.** Si no se cumplen las indicaciones de seguridad e instrucciones, se pueden provocar descargas eléctricas, incendio y/o lesiones graves. **Guarde todas las indicaciones de seguridad e instrucciones para el futuro.**

#### 3.1 Uso correcto

La máquina únicamente se puede utilizar para cortar longitudinal y transversalmente madera maciza. Asimismo, se pueden trabajar materiales compuestos como madera laminada, tableros de madera estratificada y tipo Mdf.

También se puede trabajar con materiales aislantes de fibra de madera.

Usar solo las hojas de sierra autorizadas por el fabricante.

Utilice solo los bloques de baterías y el cargador autorizados por el fabricante.

#### 3.2 Usos incorrectos previsibles

La máquina no está diseñada para otro uso que no sea el indicado más arriba.

No se podrá presentar reclamación alguna ante el fabricante por los daños que se desprendan del uso inapropiado.

El uso apropiado de la máquina comprende respetar todas las instrucciones de servicio, mantenimiento y reparación del fabricante.

#### **Algunos usos incorrectos previsibles:**

- Manipulación, extraer o evitar los dispositivos de seguridad de todo tipo.
- Operar la máquina sin dispositivos de seguridad.
- Incumplimiento de indicaciones de seguridad y advertencia del manual de instrucciones.
- Retirar indicaciones de de seguridad y advertencia de la máquina.
- Manejo no autorizado de la máquina.
- Incumplimiento de indicaciones de mantenimiento y cuidados estipulados.

#### **No se deben utiliza hojas de sierra:**


- agrietadas o deformadas,
- acabadas en acero rápido altamente aleado,
- despuntadas por la carga excesiva del motor,
- con cuerpo de espesor superior o ancho de corte (triscado) inferior al espesor de la cuña de partir,
- que no sean aptas para la velocidad de hojas de sierra en vacío.
- Muelas abrasivas

### 3.3 Instrucciones de seguridad

#### LEA TODAS LAS INSTRUCCIONES!

El incumplimiento de las instrucciones abajo indicadas puede provocar descargas eléctricas, fuego y/o lesiones graves.

#### Área de trabajo

- No podrán manejar esta máquina personas menores de edad,
- Proteja la máquina y las baterías de la humedad.
- No tire las baterías al fuego.
- ¡No utilice baterías defectuosas o deformadas!
- No abra la batería.
- No toque los contactos de las baterías ni haga cortocircuitos.
- De las baterías de iones de litio defectuosas puede salir un líquido ligeramente ácido y combustible. Si sale líquido del acumulador y entra en contacto con la piel, enjuáguela inmediatamente con abundantemente agua. ¡Si entra en contacto con los ojos el líquido del acumulador, lávelos con agua limpia y acuda inmediatamente al médico!
- Saque los acumuladores de la máquina antes de realizar cualquier tipo de configuración, reequipamiento, mantenimiento o limpieza.
- Asegúrese de que la máquina esté desconectada al insertar el acumulador.
- Si se posa, transporta o almacena la máquina sin supervisión, saque la batería de la máquina.
- No utilice la máquina cuando se encuentre cansado, bajo la influencia de las drogas, alcohol o medicamentos. Esté atento a lo que hace, alerta, y haga uso de sentido común.
- Mantenga alejados a los niños y transeúntes alejados mientras maneja la máquina. Las distracciones pueden provocar la pérdida de control de la máquina.
-  Utilice lentes protectores, mascarillas protectora del polvo y protección de oídos. El equipo de seguridad apropiado puede reducir lesiones si se utiliza correctamente.

#### Indicaciones sobre el mantenimiento y reparación:

- Por razones de seguridad, es imprescindible limpiar con regularidad la máquina, particularmente los dispositivos de ajuste y de guía.
- Solo se pueden utilizar piezas de repuesto y accesorios originales de MAFELL. De lo contrario no se aceptarán reclamaciones de garantía ni el fabricante asumirá ninguna responsabilidad.
- **Cree un plan de mantenimiento periódico para su máquina. Cuando limpie la máquina, no desmonte ninguna pieza, porque es posible que coloque mal el cableado interno, se enganche o monte erróneamente los muelles de retorno del dispositivo protector.** Existen algunos detergentes, como gasolina, tetracloruro de carbono, amoníaco etc. pueden dañar las piezas de plástico.

- Una parte del polvo que se genera al serrar, lijar, taladrar y otros trabajos, contiene productos químicos, que se conoce que pueden causar cáncer, defectos de nacimiento u otros daños reproductivos. Algunos ejemplos de esos productos químicos:

- Plomo de pinturas con base de plomo,
- Ácido salicílico cristalino de ladrillos y cemento y otros productos para la construcción de muros.
- Arsénico y cromo de maderas tratadas.

El riesgo de peligro depende de la frecuencia con la que realice este trabajo. Para reducir el riesgo por estos productos químicos: trabaje en una zona bien aireada y use protección de seguridad, como mascarillas contra el polvo desarrolladas especialmente para filtrar las micropartículas.

### 3.4 Reglas de seguridad específicas

#### Procedimiento de sierra

- Mantenga las manos fuera de la zona de corte, evitando cualquier contacto con la hoja de sierra. Sujete con la segunda mano la empuñadura adicional o la carcasa del motor. Si las dos manos sujetan la sierra, no se pueden lesionar con la hoja de sierra.

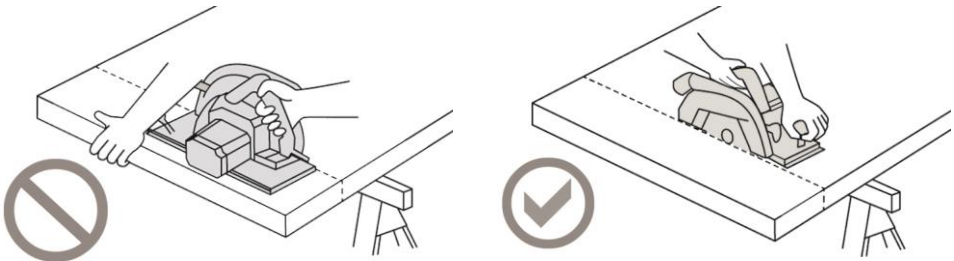


Fig. 55: Serrar erróneamente y serrar correctamente

- **No coloque nunca las manos debajo de la pieza de trabajo.** La funda protectora no le puede proteger de la hoja de sierra debajo de la pieza de sierra.
- **Ajuste la profundidad de corte según el espesor de la pieza de trabajo.** Debe quedar visible menos de una altura de dientes completa debajo de la pieza de trabajo.
- **No sujete nunca la pieza de trabajo con la mano ni la coloque sobre la pierna. Fije la pieza de trabajo sobre un soporte estable.** Es importante fijar bien la pieza de trabajo. Eso minimiza el riesgo de contacto con el cuerpo, que se enganche la hoja de sierra o se pierda el control sobre la máquina.
- **Sujete la máquina o por las superficies de agarre aisladas cuando realice trabajos en los que pueda encontrar conductos de corriente escondidos al utilizar la herramienta.** El contacto con un conducto transmisor de corriente pone en tensión las piezas de metal de la herramienta eléctrica y provoca una descarga eléctrica.
- **Para realizar cortes longitudinales, utilice siempre un tope o guía de borde recto adecuado.** Esto mejora la exactitud de corte y reduce las posibilidades de que la hoja de corte quede enganchada.
- **Utilizar siempre hojas de sierra del tamaño apropiado con broca apropiada (p. ej. en forma de gato o redondeado).** Las hojas de sierra que no se ajusten a las piezas de montaje de la sierra, funcionan de forma irregular y provocan la pérdida de control.

- **No utilice nunca arandelas o tornillos dañados o inapropiados para fijar el disco de sierra.** Las arandelas y tornillos de la hoja de sierra han sido construidas especialmente para su sierra, para un rendimiento y seguridad en el funcionamiento óptimos.

### **Rebote - Causas y las indicaciones de seguridad correspondientes**

- Un rebote es una reacción repentina debido a una hoja de sierra enganchada, atascada o mal colocada que hace que la hoja se levante de forma incontrolada y se salga de la pieza de trabajo en dirección del operario.
- Si la hoja de sierra se engancha o atasca en la ranura de sierra, se bloquea y la potencia del motor golpea la sierra en dirección al operario.
- Si la hoja de sierra se gira en el corte de sierra o se coloca mal, se pueden enganchar los dientes del borde trasero de la hoja en la superficie de madera. Al hacer esto, la hoja de sierra se sale de la ranura y la sierra salta hacia atrás en dirección al operario.

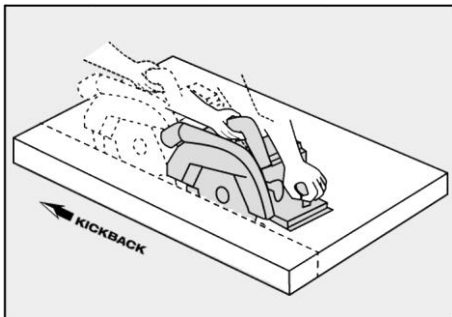


Fig. 56: Rebote de la máquina

El rebote es la consecuencia de un uso erróneo o fallido de la sierra. Se puede evitar si se toman las precauciones descritas a continuación.

- **Sujete la máquina con las dos manos y coloque los brazos en una posición que permita compensar las fuerzas de rebote de la misma. No realice nunca cortes sujetando la máquina directamente ante el cuerpo.** En caso de rebote, la sierra circular puede saltar hacia atrás, pero el operario puede resistir las fuerzas de rebote mediante las medidas de precaución apropiadas.
- **Si la hoja de sierra se engancha o interrumpe el trabajo, desconecte la sierra y mantenga el material quieto hasta que la hoja de sierra se pare. No intente nunca alejar la hoja de la pieza de trabajo ni tirar hacia atrás mientras la hoja de sierra esté en movimiento, de lo contrario puede sufrirse un rebote.** Averigüe y solucione el motivo del enganche de la hoja de sierra.

- Antes de volver a arrancar la máquina puesta en la pieza de trabajo, centre el disco de sierra en la ranura de corte y compruebe que no está bloqueado el dentado. Si la hoja de sierra se engancha, se puede salir de la pieza de trabajo y provocar un rebote si se reinicia la sierra.
- Siempre que se corten placas de grandes dimensiones, éstas se deben apoyar para evitar golpes al bloquearse el disco de sierra. Las placas grandes se puede doblar por su propio peso. Las placas tienen que tener un soporte por ambos lados, tanto cerca de la ranura de la sierra como en el borde.

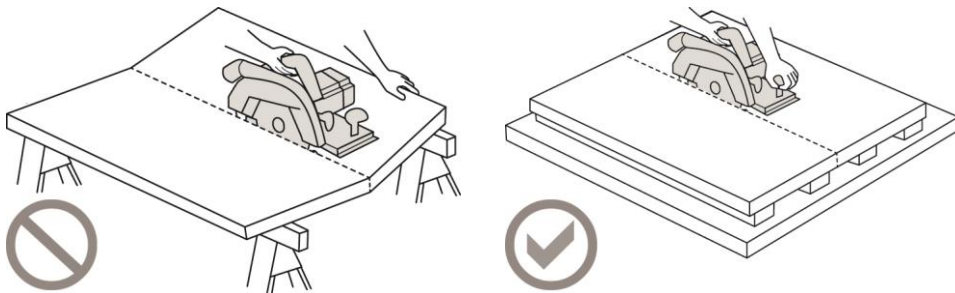


Fig. 57: Apoyo erróneo y apoyo correcto

- **No utilice nunca hojas de sierra despuntadas o dañadas.** Las hojas de sierra con dientes romos o mal colocados provocan un mayor roce, enganches de la hoja de sierra y rebotes por una ranura de sierra demasiado estrecha.
- **Antes de proceder a cortar, fije los dispositivos para ajustar la profundidad y el ángulo de corte.** Si durante la sierra se cambian las configuraciones, se puede enganchar la hoja de sierra y provocar un rebote.
- **Ponga especial precaución al serrar paredes existentes u otras zonas que no se vean.** La hoja de sierra insertada se puede bloquear al serrar en objetos ocultos y provocar un rebote.

#### Funcionamiento de la funda inferior

- **Antes de utilizar la máquina, compruebe que la funda protectora cierra correctamente. Prohibido utilizar la máquina si no es posible mover ni cerrar correctamente la cubierta. No enganche ni ate nunca la cubierta protectora, la hoja de sierra quedaría desprotegida.** Si cae la sierra al suelo de forma involuntaria, se puede doblar la funda protectora. Asegúrese de que se mueve sin problemas y no toca la hoja de sierra ni otras piezas en ninguna profundidad ni ángulo de corte.
- **Compruebe el correcto funcionamiento del resorte de la cubierta protectora inferior. En caso de anomalías en la cubierta protectora inferior o el resorte, entregue la máquina al servicio técnico.** Las piezas dañadas, los depósitos pegajosos o la acumulación de virutas hacen que la funda protectora trabaje con retraso.

- **Sólo abra manualmente la cubierta protectora inferior para realizar cortes especiales, como "inmersión" o "angular". Para abrir la cubierta protectora inferior, accione la palanca prevista. En el momento de entrar la hoja de sierra en la pieza de trabajo, suelte la palanca.** Durante todos los trabajos con sierra, la funda protectora inferior debe trabajar de forma automática.
- **No coloque nunca la máquina en el banco de trabajo o en el suelo sin haber protegido la hoja de sierra colocando la cubierta protectora inferior en la posición adecuada.** Si la hoja de sierra está en marcha de inercia sin protección, moverá la sierra en la dirección contraria de corte y serrará lo que se ponga por delante. Tenga en cuenta el tiempo de marcha en inercia de la hoja de sierra.

#### **Funcionamiento de la cuña de separación**

- **Utilice la hoja de sierra apta para la cuña de separación.** Para que la cuña de separación tenga efecto, la matriz de la hoja de sierra tendrá que ser más fina que la cuña de separación y el ancho del diente debe ser superior al grosor de la cuña de separación.
- **Ajuste la cuña de separación como se describe en el manual de instrucciones.** Si la cuña de separación no ejerce el efecto deseado y evita el rebote, se puede deber a unas distancias, posiciones y colocaciones erróneas.
- **Utilice siempre la cuña de separación, excepto realizando "cortes de inmersión".** Monte la cuña de separación después del corte de inmersión. La cuña de separación estorba a la hora de realizar cortes de inmersión y puede provocar un rebote. Este apartado solo se refiere a las sierras circulares manuales sin cuña abatible giratoria (conocida como cuña giratoria de MAFELL). La cuña giratoria se desplaza hacia atrás en la máquina al realizar cortes de inmersión.
- **La cuña de partir sólo tendrá efecto si se encuentra en la ranura de corte.** En el caso de cortes cortos, la cuña de separación no tiene efecto a la hora de evitar un rebote.
- **No utilice la máquina si la cuña de partir está deformada.** Una leve interferencia ya puede ralentizar el cierre de la funda protectora.

**GUARDAR ESTAS INSTRUCCIONES!**



### 3.5 Dispositivos de seguridad

## Peligro



### **Peligro de lesiones por falta de dispositivos de seguridad**

Los dispositivos descritos garantizan la seguridad en el trabajo con esta máquina, por lo tanto, no se pueden desmontar ni desactivar.



- Compruebe el funcionamiento de los dispositivos de seguridad y posibles daños antes de empezar a trabajar.
- No utilice la máquina si faltan dispositivos de seguridad o no hacen efecto.

La máquina ofrece los siguientes dispositivos de seguridad:

Dispositivo de seguridad	Tipo de revisión
Cubierta de protección fija superior	Control óptico de daños
Cubierta de protección flexible inferior	Control de funcionamiento (apertura total y cierre súbito sin rebote)
Placa de soporte grande	Control óptico de daños y deformaciones
Agarraderas	Control óptico de daños
Cuña de partir	Control óptico de daños y deformaciones
Freno del motor	Control de funcionamiento (tiempo de freno máx. 2 segundos)
Tubo de aspiración	Control óptico de daños y obstrucción

En caso de daños o de funcionamiento erróneo de los dispositivos de seguridad, respete las indicaciones del capítulo Solución de averías. En cualquier otro caso, consulte a su distribuidor o directamente al servicio técnico de MAFELL.

### 3.6 Riesgos restantes

 <b>Advertencia</b>	
	<p><b>Riesgo de lesiones al trabajar con la máquina</b></p> <p>A pesar de utilizar la máquina conforme al uso proyectado y respetando todas las normas de seguridad aplicables, siguen existiendo riesgos, debido a la finalidad de uso, que pueden tener consecuencias para la salud.</p> <ul style="list-style-type: none"><li>➤ Respete las indicaciones de seguridad y la información de este manual.</li><li>➤ Trabaje siempre con máxima atención y precaución cuando manipule la máquina.</li></ul>

Los riesgos restantes incluyen:

- Contacto con la hoja de sierra en la zona de comienzo de corte debajo de la placa de soporte.
- Contacto con la parte saliente de la hoja de sierra en la parte inferior de la pieza de trabajo durante el corte.
- Contacto lateral con los siguientes elementos giratorios: Hoja de sierra, brida de sujeción y tornillo de brida.
- Retroceso de la máquina al atascarse con la pieza de trabajo.
- Rotura o desprendimiento de la hoja de sierra o de partes de la misma.
- Daños al oído debido al trabajo intensivo sin la protección adecuada.
- Emisión de polvo de madera, nocivo para la salud, durante el trabajo intensivo sin el conveniente sistema de aspiración.

## 4 Equipamiento / Ajustes

### 4.1 Cargar el acumulador

Se suministran los cargadores adecuados, a partir del acumulador utilizado. Para cargar utilice solo cargadores de MAFELL.

En una máquina nueva, cargue siempre primero el acumulador.



Consultar la descripción del proceso de carga en el manual suministrado "Cargador APS M".

Si el tiempo de funcionamiento es considerablemente más corto tras la carga, indica que la batería está usada y hay que sustituirla.

El acumulador está equipado con un sistema de control de temperaturas. Esto garantiza que la batería solo se cargue en un rango de temperatura óptima entre 0 °C (32 °F) y 50 °C (122 °F). De esta manera, se obtendrá una larga vida útil del acumulador.

## ⚠ Advertencia



### Riesgo de incendio y explosión en caso de sobrecalentamiento o humedad

Las temperaturas altas y la humedad puede provocar cortocircuitos en la batería. Existe riesgo de incendio y explosión.

- Proteger el acumulador del calor, el fuego y la humedad.
- No exponga la batería a temperaturas superiores a 50 °C (122 °F).
- Guarde la batería a una temperatura entre 10 °C (50 °F) y 30 °C (86 °F).
- Dejar enfriar el acumulador si está caliente antes de cargarlo.

### 4.2 Colocar el acumulador

Antes de colocarla, comprobar si la tensión nominal de la batería coincide con las indicaciones de la máquina.

#### Para colocar la batería en la máquina, proceda de la siguiente manera:

1. Desplazar la batería cargada en la guía situada hasta que se oiga como encaja.
2. Compruebe que la batería esté colocada correctamente en la máquina.
  - ✓ La batería está colocada en la máquina.

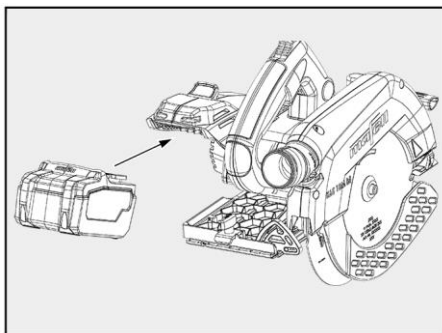


Fig. 58: Colocar la batería en la máquina

### 4.3 Desmontar el acumulador

#### Para sacar la batería, proceda de la siguiente manera:

1. Pulse y mantenga presionada la palanca del bloqueo de la batería 7.
2. Saque la batería de la guía.
  - ✓ Se ha sacado la batería.

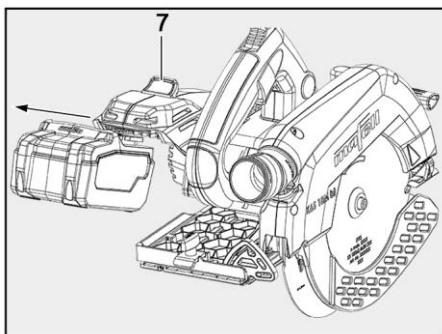



Fig. 59: Desmontar el acumulador

#### 4.4 Sistema de aspiración de virutas

<b>⚠ Precaución</b>	
	<p><b>Riesgos para la salud por el polvo de madera</b></p> <p>Los polvos que se generan al trabajar, se aspiran y pueden causar daños a la salud.</p> <ul style="list-style-type: none"><li>➤ Los polvos nocivos para la salud tienen que aspirarse con un aspirador HEPA 13.</li><li>➤ Utilice al trabajar una mascarilla contra el polvo.</li></ul>

Cuando corte materiales que provoquen la formación masiva de polvo, conecte la máquina con un sistema de aspiración externo adecuado. La velocidad mínima del aire tiene que ser de 20 m/s [65 ft/sec].

El diámetro interior de la boquilla de aspiración es de 35 mm [1.4 in].

Para trabajos breves que no generen mucho polvo, se puede utilizar la bolsa de virutas suministrada como aspiración propia.

#### 4.5 Selección de la hoja de sierra

Para asegurar una calidad de corte óptima, utilice una herramienta bien afilada y seleccione la herramienta de la siguiente lista según el material y el uso:

**Cortar madera blanda y dura especialmente a lo largo de la fibra:**

- Disco de sierra HM Ø 185 x 1,8 x 20 mm, 16 dientes [Ø 7,28 x 0,07 x 0,79 in]

**Cortar madera blanda y dura transversalmente al sentido de la fibra:**

- Disco de sierra HM Ø 185 x 1,8 x 20 mm, 32 dientes [Ø 7,28 x 0,07 x 0,79 in]

#### 4.6 Cambio de la hoja de sierra

### ⚠ Precaución



#### Riesgo de lesiones por el disco de sierra afilado

El disco de sierra está afilado. Se puede lesionar al cambiar el disco de sierra.

- Utilizar guantes protectores para cambiar el disco de sierra.
- Proceder con precaución a la hora de cambiar el disco de sierra.

#### Para cambiar la funda protectora móvil, proceda de la siguiente manera:

1. Saque la batería de la máquina.
2. Coloque la máquina en una superficie plana.
3. Accionar y mantener pulsado el pulsador 8.
4. Tirar de la palanca de bloqueo 3 hacia arriba.
  - La palanca de conmutación está bloqueada. El mecanismo de bloqueo del eje de la sierra está activado.
5. Puede colocar la cubierta protectora móvil en la posición de apertura máxima manualmente o con ayuda de la palanca de inserción previa 12.
  - Para sacar la hoja de sierra, colocar manualmente la cubierta protectora móvil en la posición de apertura máxima.

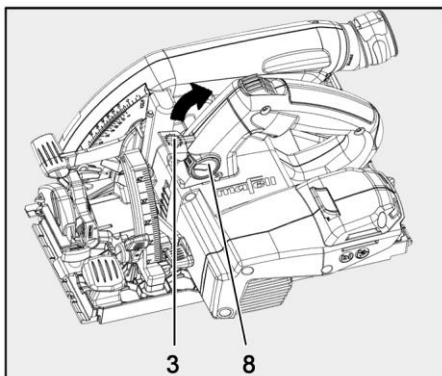


Fig. 60: Bloquear el eje de la sierra

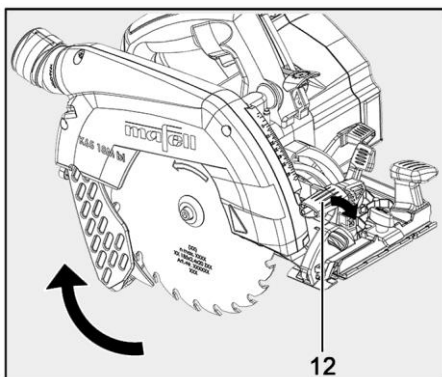


Fig. 61: Abrir la funda protectora

6. Enrosque la máquina en la unidad del motor. La hoja de sierra mira hacia arriba.
7. Colocar la llave hexagonal B en el tornillo de brida 13 y enrósquela **en la dirección contraria a las agujas del reloj**, hasta que la hoja de sierra esté encajada en el bloqueo.
  - La hoja de sierra se sujeta en la posición y el tornillo de brida se puede soltar.
8. Soltar el tornillo de brida 13 con la llave hexagonal B **en la dirección contraria a las agujas del reloj**.
9. Desmonte el tornillo de brida 13 y la brida de sujeción delantera 14.
10. Desmonte la hoja de sierra usada.
  - Las bridas de sujeción tienen que estar libres de cuerpos extraños.
  - Ahora se puede montar la hoja de sierra nueva.

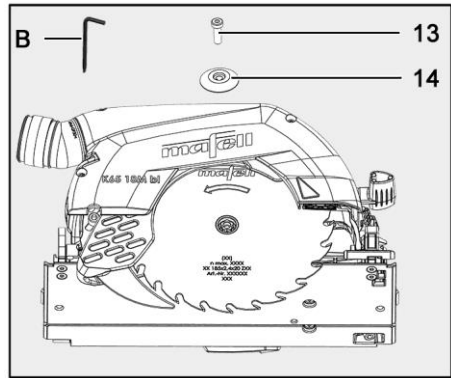


Fig. 62: Retirar la hoja de sierra usada

11. Coloque la nueva hoja de sierra 15 sobre la brida trasera 17.
  - Preste atención al sentido de giro a la hora de montar la hoja de sierra. Los dientes de la sierra o la flecha de la hoja de sierra 15 tienen que estar orientados hacia la flecha 16 de la máquina.
12. Insertar la brida de sujeción 14 y el tornillo de brida 13.
13. Girar el tornillo de brida 13 con ayuda de la llave hexagonal B **en la dirección de las agujas del reloj**.
  - La hoja de sierra está fijada.

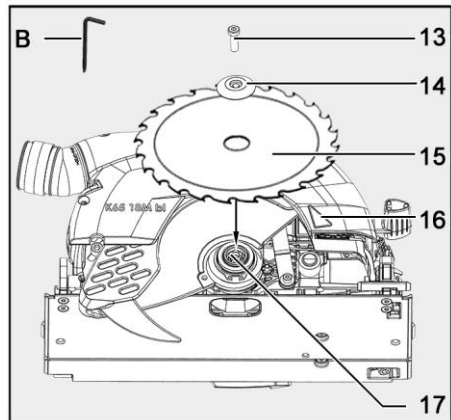


Fig. 63: Cambiar la hoja de sierra

14. Cerrar la cubierta de protección flexible.
15. Presionar la palanca de bloqueo 3 hacia abajo.
  - El mecanismo de bloqueo del eje de la sierra está desactivado.
  - La palanca de conmutación está desbloqueada.
  - ✓ Se ha cambiado la hoja de sierra.

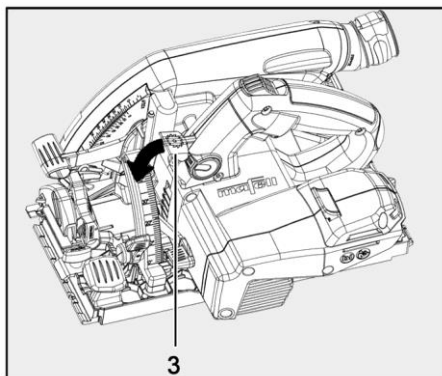


Fig. 64: Desbloquear la palanca de conmutación

#### 4.7 Cuña de partir

La cuña de partir evita que se atasque la hoja de sierra al realizar cortes longitudinales. Además, la cuña de partir retrocede en la máquina al realizar cortes de inmersión. Así evita que rebotes al serrar.

La distancia correcta con la hoja de sierra se muestra en la figura.

##### Para ajustar la distancia de cuña de partir, proceda de la siguiente manera:

1. Saque la batería de la máquina.
2. Para cambiar el ajuste, suelte el tornillo 18 con ayuda de la llave hexagonal suministrada B **en la dirección contraria a las agujas del reloj.**
3. Mueva la cuña de partir desplazándola en la ranura longitudinal.
  - Respetar la distancia máxima con el disco de sierra (ver fig. 65).
4. Después apretar el tornillo 18 con ayuda de la llave hexagonal B **en la dirección de las agujas del reloj.**
  - ✓ La distancia de la cuña de partir está ajustada.

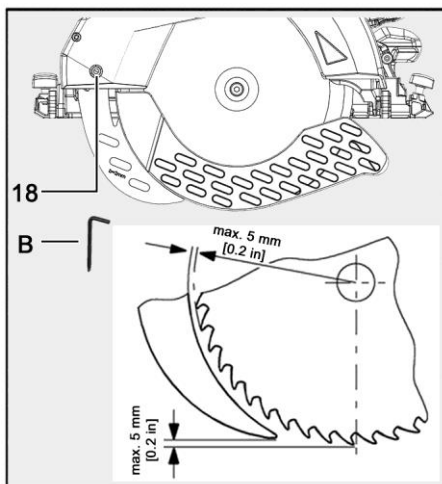


Fig. 65: Distancia de la cuña de partir a la hoja de sierra

## 5 Funcionamiento

### 5.1 Puesta en funcionamiento

#### Advertencia

Cada persona encargada del manejo de la máquina ha de estar familiarizada con el manual de instrucciones y, en particular, con el apartado "Instrucciones de seguridad".

### 5.2 Conectar

**Para conectar la máquina, proceda de la siguiente manera:**

1. Presionar el dispositivo de bloqueo de conexión 4 hacia delante para desbloquear.
2. Accionar y sujetar la palanca de mando 6 con el dispositivo de bloqueo de conexión presionado.
3. Suelte el dispositivo de bloqueo 4.  
✓ La máquina está conectada

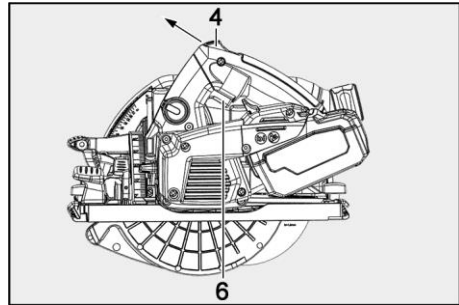


Fig. 66: Conectar la máquina



Puesto que se trata de un interruptor sin bloqueo, la máquina sólo funcionará manteniendo accionada esta palanca. Gracias al concepto de motor utilizado, la máquina se para muy rápido tras la desconexión. (Freno del motor)

### 5.3 Luz

La máquina está equipada para iluminar grandes áreas de la zona de trabajo con un módulo de luz.

Al conectar la máquina, se activa también el módulo de luz.

Si la máquina está parada durante un tiempo prolongado, se desactiva automáticamente el módulo de luz.

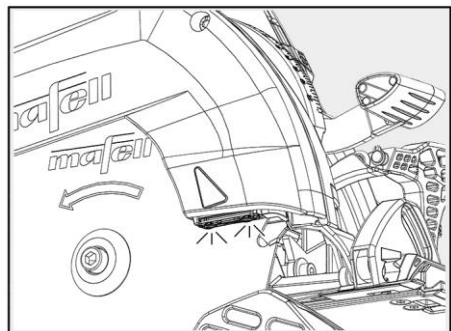


Fig. 67: Módulo de luz de la máquina



#### 5.4 Desconexión

Para desconectar la máquina, proceda de la siguiente manera:

1. Suelte la palanca de mando 6.
  - Gracias al freno automático integrado, el tiempo de funcionamiento hasta la parada del disco de sierra se reduce a unos 2 segundos, aproximadamente.
  - Se activará de nuevo el dispositivo de bloqueo de conexión para evitar que la sierra circular manual se ponga en marcha sin querer.
  - ✓ La máquina está desconectada.

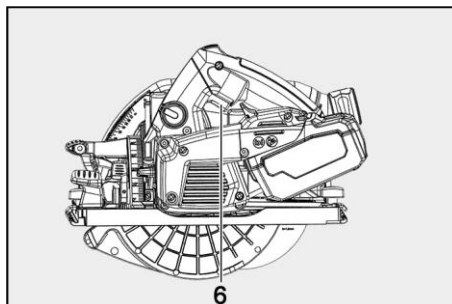


Fig. 68: Desconectar la máquina

### 5.5 Ajuste de la profundidad de corte

La profundidad de corte se puede ajustar de forma continua dentro de un rango de 0 a 66 mm [0 to 2.6 in].

**Para ajustar la profundidad de corte, proceda de la siguiente manera:**

1. Soltar la palanca de sujeción 9.
2. Ajuste la profundidad de corte con la palanca de incisión 1.
  - Se puede leer la profundidad de corte en la escala 2 de la tapa. La aguja sirve para la superficie en rojo de la palanca de incisión 1.
3. Vuelva a apretar la palanca de apriete 9.
  - ✓ Se ha ajustado la profundidad de corte.

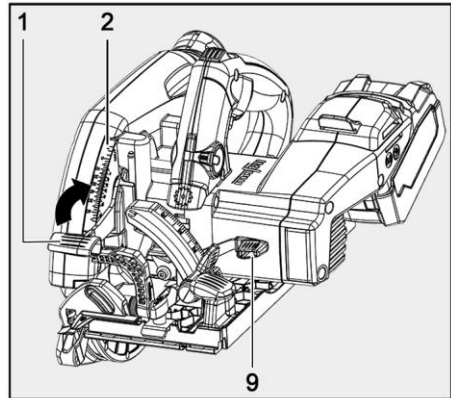


Fig. 69: Ajustar la profundidad de corte



Ajuste la profundidad de corte para cortes de separación siempre a 2 - 5 mm [0.08 bis 0.2 in] superior al espesor del material a cortar.

### 5.6 Ajustes para cortes inclinados

Para realizar cortes inclinados, se puede inclinar el grupo sierra de 0° hasta 45°.

**Para ajustar el equipo de sierra para cortes inclinados, proceda de la siguiente manera:**

1. Para inclinar el equipo de sierra, coloque la máquina de forma que se pueda girar.
2. Aflojar la palanca 10.
3. Ajuste el ángulo con ayuda de la escala 11 en la unidad de giro.
4. A continuación apretar la palanca 10.
  - ✓ El equipo de sierra está ajustado al ángulo deseado para el corte inclinado.

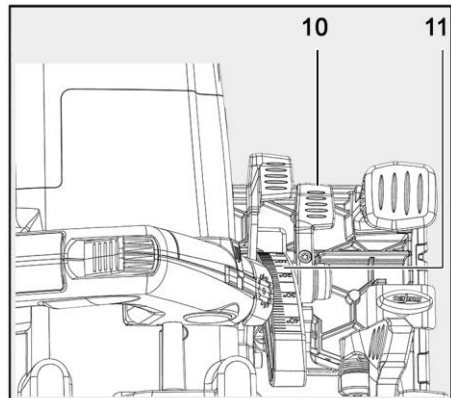


Fig. 70: Ajustar el equipo de sierra para cortes inclinados

## 5.7 Cortes de incisión


**Advertencia**


**Si se realizan cortes de incisión, existe peligro de retroceso.**

Al realizar cortes de incisión, la máquina puede rebotar si se atasca. Esto puede causar lesiones graves.

- Antes de realizar un corte de incisión, fije la máquina por el borde posterior de la placa de soporte en un tope fijado de forma segura en la pieza de trabajo.
- Durante el corte de incisión, sujete la máquina por la agarradera y desplácela con cuidado hacia delante.

**Para realizar un corte de incisión, proceda de la siguiente manera:**

1. Soltar la palanca de sujeción 9.
2. Ajustar la máquina con la palanca de inmersión 1 en la posición superior.
3. Con la palanca previa 12 se puede abrir totalmente la funda protectora móvil, para que se pueda colocar la máquina sobre la pieza de trabajo.
  - La hoja de sierra y la cuña de partir están libres sobre el material.
4. Oriente la máquina sobre la pieza de trabajo para el corte de incisión.
5. Conectar la máquina y pulsar la palanca de incisión 1 hacia abajo.

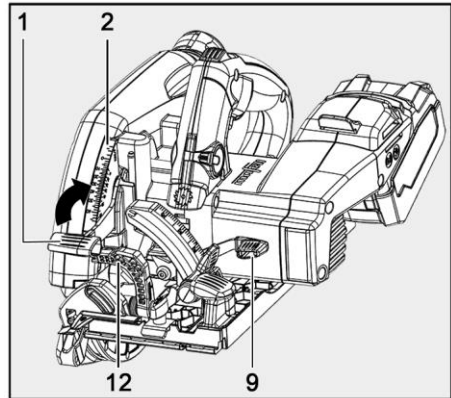


Fig. 71: Realizar el corte de incisión.

- De esta forma se introduce la hoja de sierra en la pieza de trabajo de forma vertical. La profundidad de corte se indica en la escala 2. Durante el proceso de incisión, la cuña de partir se mueve hacia arriba. Una vez que se haya abierto la ranura detrás de la hoja de sierra al avanzarse la máquina hacia delante, la cuña de partir vuelve a su posición normal.
6. Finalice el avance al llegar al final del corte de incisión.
  7. Desconecte la máquina.
  8. Extraiga el disco de sierra con la palanca de incisión 1 de la ranura de sierra.
  9. Vuelva a apretar la palanca de apriete 9.
    - ✓ Se ha realizado el corte de incisión.



En el caso de repetidos cortes con la misma profundidad, se pueden predeterminar la profundidad de inmersión.

**Para ajustar la profundidad de incisión, proceda de la siguiente manera:**

1. Ajuste la profundidad de incisión en la máquina con la palanca de incisión 1.
  2. Abra el tornillo de apriete 21 con la llave hexagonal B.
    - La barra de tope 22 baja hacia abajo sobre el tope.
  3. Apriete de nuevo el tornillo de apriete 21.
    - Puede realizar varios cortes de incisión con la misma profundidad.
    - Tras finalizar los trabajos de incisión con la misma profundidad, ajuste la barra de tope para la profundidad de incisión completa en la posición superior.
- ✓ La profundidad de incisión está preajustada.

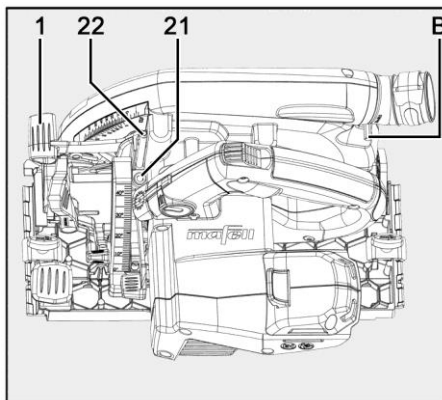


Fig. 72: Preajustar la profundidad de incisión

**Para permitir de nuevo la profundidad de incisión completa, proceda de la siguiente manera:**

1. Abra el tornillo de apriete 21 con la llave hexagonal B.
2. Configurar la máquina a la profundidad de corte máxima. Para ello mueva la palanca de incisión 1 hacia abajo sobre el tope.
  - La barra de tope 22 se mueve en la posición más superior.
3. Apriete de nuevo el tornillo de apriete 21.
  - ✓ Es posible realizar de nuevo la profundidad de incisión completa.

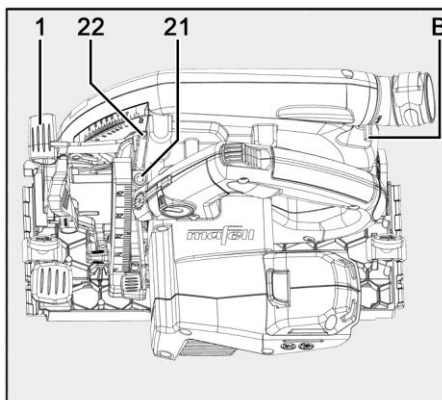


Fig. 73: Restablecer la profundidad de corte

## 5.8 Serrar por la línea de trazado

La placa base tiene un indicador de corte móvil que se adapta automáticamente al realizar cortes inclinados. Este canto de trazado 19 corresponde al lateral interior (lateral orientado hacia el motor) de la hoja de sierra.

Al realizar cortes inclinados, se puede ver la línea de trazado por la abertura del lateral interior de la cubierta de protección superior (en la dirección de corte).

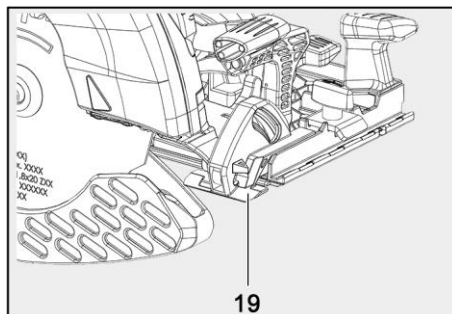


Fig. 74: Canto de trazado

### Para serrar según el trazado, proceda de la siguiente manera:

1. Para cortar, sujete la máquina por las agarraderas y coloque la parte delantera de la placa de soporte sobre la pieza de trabajo.
  2. Coloque el canto de trazado 19 en el canto de la pieza de trabajo.
  3. Conecte la máquina.
  4. Procure que el canto de trazado 19 y el borde delantero de la hoja de sierra se desplacen por el trazado marcado.
  5. Desplace la máquina de forma uniforme en la dirección de corte.
  6. Desconecte la máquina después de finalizar el corte.
- ✓ Finalizada sierra por la línea de trazado.

## 5.9 Cortar con tope paralelo

Con ayuda del tope paralelo C se pueden realizar cortes paralelos a los bordes existentes. El tope puede fijarse tanto en el lado derecho (lateral del motor) como en el lado izquierdo (lateral de la herramienta) de la máquina. La distancia ajustable posible del lateral derecho es de 163 - 300 mm [6.42 - 11.81 in] y en la parte izquierda de 33-130 mm [1.30 - 5.12 in]. En el rango 163 – 220 mm [6.42 - 8.66 in] del lateral del motor se tiene que ajustar la máquina aprox. 10 mm [0.4 in] hacia arriba, para que el tope se desplace debajo de la carcasa del motor.

El ancho configurado se puede leer en las escalas de las barras guía. Los bordes marcados de rojo de las placas base sirven como indicadores.

## Advertencia



### Riesgo de lesiones si la funda protectora no funciona.

Si se utiliza un tope paralelo inferior a la medida mínima, este puede afectar al funcionamiento de la funda protectora inferior. Es probable que entonces se pueda acceder libremente a la hoja de sierra.

- Utilice el tope paralelo en las zonas de corte permitidas. Tenga en cuenta las escalas de las barras guía.

**Para colocar el tope paralelo, proceda de la siguiente manera:**

1. Aflojar los tornillos de mariposa 5 en ambos lados.
2. Coloque el tope paralelo C en la guía prevista para ello.
  - Se puede colocar en la parte izquierda o derecha de la máquina.
3. Apretar de nuevo los tornillos mariposa 5 de cada lateral.
  - ✓ Se ha colocado el tope paralelo.

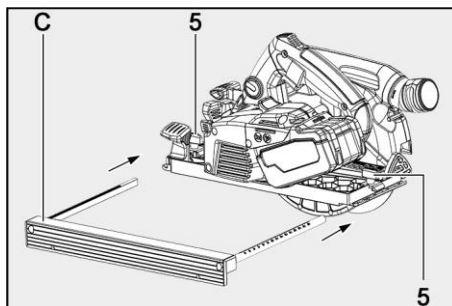


Fig. 75: Colocar el tope paralelo

**Para modificar el ancho de corte, proceda de la siguiente manera:**

1. Aflojar los tornillos mariposa 5 de cada lateral.
2. Cambiar de sitio el tope paralelo C.
3. Apretar de nuevo los tornillos mariposa 5 de cada lateral.
  - ✓ Se ha modificado el ancho de corte.

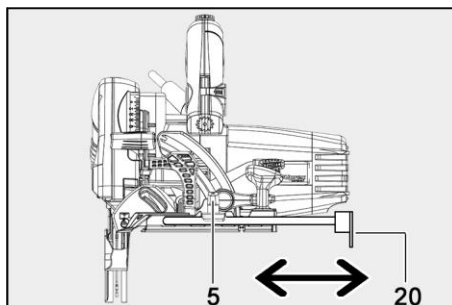


Fig. 76: Ajustar el ancho de corte con el tope paralelo



Con un simple giro del tope paralelo (la brida guía 20 indica hacia arriba), se puede usar también como soporte doble para guiar mejor la sierra circular manual.

Se puede guiar la máquina también con el tope paralelo contra una barra guía fijada a la pieza de trabajo o regleta de madera. Para ello se tiene que girar el tope paralelo, para que la lengüeta guía 20 mire hacia arriba.

## 5.10 Trabajar con accesorios especiales

Para la máquina se pueden adquirir diferentes accesorios especiales. Encontrará una lista en el capítulo 8 Accesorios especiales.

A continuación se explicarán diferentes tipos de uso.

### 5.10.1 Trabajar con el tope inferior

El tope inferior I sirve para trabajos paralelos a un borde ya existente. El tope puede fijarse tanto en el lado derecho (lateral del motor) como en el lado izquierdo (lateral de la herramienta) de la máquina. La distancia ajustable posible del lateral derecho es de aprox. 30 – 210 mm [1.18 - 8.27 in] y en el lateral izquierdo aprox. 12 - 40 mm [0.47 - 1.57 in].

El ancho configurado se puede leer en las escalas de las barras guía. Los bordes marcados de rojo de las placas base sirven como indicadores.

## Advertencia



### Riesgo de lesiones si la funda protectora no funciona.

Si se utiliza un tope inferior por debajo de la medida mínima, puede afectar al funcionamiento de la funda protectora inferior. Es probable que entonces se pueda acceder libremente a la hoja de sierra.

- Utilice el tope inferior en las zonas de corte permitidas. Tenga en cuenta las escalas de las barras guía.

### Para colocar el tope inferior, proceda de la siguiente manera:

1. Aflojar los tornillos mariposa 5 de cada lateral.
2. Coloque el tope inferior I en la guía prevista para ello.
  - Se puede colocar en la parte izquierda o derecha de la máquina.
3. Apretar de nuevo los tornillos mariposa 5 de cada lateral.
  - ✓ Se ha colocado el tope inferior.

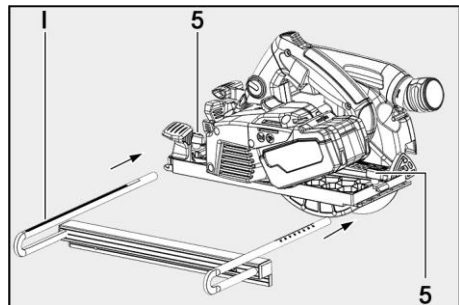


Fig. 77: Colocar el tope inferior

Para modificar el ancho de corte, proceda de la siguiente manera:

1. Aflojar los tornillos de mariposa 5 en ambos lados.
2. Cambie de sitio el tope inferior.
3. Apretar de nuevo los tornillos mariposa 5 de cada lateral.  
✓ Se ha modificado el ancho de corte.

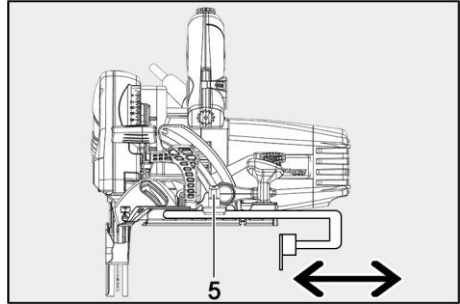


Fig. 78: Ajustar el ancho de corte con el tope inferior

### 5.10.2 Trabajar con un dispositivo guía



Consultar la descripción del dispositivo guía en el manual anexo "Dispositivo guía L/M/ML/S".

## 6 Mantenimiento y reparación

Las máquinas de MAFELL requieren escaso mantenimiento.

Los rodamientos de bolas utilizados están engrasados de forma permanente. Se recomienda llevar la máquina a un centro de servicio al cliente autorizado de MAFELL para su revisión después de algún tiempo de funcionamiento.

### 6.1 Almacenaje

Limpiar cuidadosamente la máquina si no se va a utilizar durante un largo período de tiempo. Pulverizar piezas de metal fino con un producto antioxidante.

### 6.2 Transporte

Para enviar baterías, hay que tener en cuenta unos requisitos especiales para el envase y la identificación. Las baterías de iones de litio incluidas están sometidas a las exigencias del derecho de transporte de mercancías peligrosas.

Utilice solo baterías cuya carcasa no esté dañada.

Tapar los polos de la batería con cinta aislante y empaquetar las baterías de forma que no se muevan en el paquete.

Respetar las directrices nacionales adicionales que pueda haber.

### 6.3 Eliminación de la batería

¡No desechar las baterías junto con los residuos domésticos! Las baterías defectuosas o usadas se tienen que recoger por separado para reciclar.

Entregar las baterías en puntos de reciclaje de baterías y productos electrónicos.



Antes de entregar las baterías, tapar los polos de la batería con cinta aislante y/o colocar las baterías por separado en bolsas de plástico. Las baterías usadas por usted pueden tener suficiente energía para lesionarse o causar incendios.

## 7 Eliminación de fallos técnicos

### Advertencia



#### Riesgo de lesiones si la máquina se conecta de repente.

Las distracciones al trabajar con la máquina o al solucionar fallos técnicos puede hacer que la máquina se conecte de repente. Como consecuencia, se pueden producir lesiones graves con la hoja de sierra giratoria.

- La determinación y eliminación de fallos técnicos requieren siempre especial cuidado.
- Desenchufar antes de solucionar fallos técnicos.

A continuación, se indican los fallos más frecuentes y sus causas. En caso de que se produzcan otros errores, diríjase a su distribuidor o directamente al servicio técnico de MAFELL.

Fallo	Causa	Ayuda
No se puede poner en marcha la máquina	No se ha colocado ninguna batería	Colocar el acumulador
	Descargar el acumulador	Cargar el acumulador
	El acumulador no encaja en la posición final	Encajar totalmente el acumulador
La potencia de la máquina disminuye.	Acumulador casi vacío, un LED del acumulador parpadea.	Si solo se ilumina una LED, cargue el acumulador.
Sobrecarga, la máquina se desconecta.	Debido a que la carga se ha mantenido durante un período prolongado, la máquina o el acumulador se han sobrecalentado. Suena una señal de advertencia (pitido continuo). Esta se apaga tras un máx. de 30 segundos o tras soltar el interruptor de conexión.	Deje que la máquina y el acumulador enfrién. Puede enfriar más rápido el acumulador en un cargador con refrigeración por aire. Para enfriar la máquina más rápido puede utilizar otro acumulador en marcha en vacío.
La máquina se desconecta cuando haya un aumento repentino de la carga.	Con el aumento repentino de la carga, aumenta también de repente la corriente necesaria de la máquina. Este aumento, que se produce al bloquear de repente o en caso de rebote, se mide y provoca una desconexión.	Desconectar la máquina soltando el interruptor de conexión. Después puede conectar de nuevo la máquina y trabajar con normalidad. Intente evitar más bloqueos.

<b>Fallo</b>	<b>Causa</b>	<b>Ayuda</b>
El disco de sierra se atasca al avanzar la máquina	Velocidad de avance excesiva	Disminuya la velocidad de avance
	Hoja de sierra roma	Suelte el interruptor de inmediato. Aleje la máquina de la pieza de trabajo y cambie el disco de sierra.
	Tensiones en la pieza de trabajo	Máxima precaución al serrar, aumenta el riesgo de rebote.
	No se puede guiar exactamente la máquina (p.ej. por guiar con la mano libre)	Utilice el tope paralelo
	Superficie desigual de la pieza de trabajo	Alinee la superficie
La hoja de sierra vibra en la pieza de trabajo	Hoja de sierra no ajustada correctamente	Apretar la hoja de sierra
	Pieza de trabajo no fijada	Fijar la pieza de trabajo con ganchos
El disco de sierra se para - el motor sigue funcionando	La hoja de sierra no está fijada correctamente	Apretar la hoja de sierra
Quemaduras en el corte	Hoja de sierra no apta para el proceso de corte en cuestión	Cambie la hoja de sierra
Eyector de virutas obstruido	Madera demasiado húmeda	Limpiar el eyector de virutas
	Cortar durante un período largo sin sistema de aspiración conectado	Conecte la máquina con un sistema de aspiración externo, por ejemplo un despolvoreador
La funda protectora inferior móvil no cierra o cierra lentamente	Virutas y piezas de madera en la funda protectora inferior	Quitar las virutas y las piezas de madera

## 8 Accesorios especiales

- Disco de sierra - HM Ø 185 x 1,8 x 20 mm, 16 dientes [Ø 7,28 x 0.09 x 0.79 in] Referencia 092494  
(corte longitudinal)
- Disco de sierra - HM Ø 185 x 1,8 x 20 mm, 32 dientes [Ø 7,28 x 0,07 x 0,79 in] Referencia 092493  
(corte trasversal))
- Riel guía F80, longitud 800 mm [31.5 in] Referencia 204380
- Riel guía F110, longitud 1100 mm [43.3 in] Referencia 204381
- Riel guía F160, longitud 1600 mm [63 in] Referencia 204365
- Riel guía F210, longitud 2100 mm [82.7 in] Referencia 204382
- Riel guía F310, longitud 3100 mm [122 in] Referencia 204383
- Tope angular F-WA Referencia 205357
- Accesorios para riel guía:
  - Gato F-SZ100MM (2 uds.) Referencia 205399
  - Pieza de unión F-VS Referencia 204363
  - Estuche para rieles F160 Referencia 204626
- Juego de estuches para rieles F80/160 con tope angular, incluyendo: F80 + F160 + pieza de unión + tope angular + 2 gatos + estuche para rieles Referencia 204749
- Juego de estuches para rieles F160/160, incluyendo: 2 x F160 + pieza de unión + 2 gatos + estuche para rieles Referencia 204805
- Parada de retroceso F-RS Referencia 202867
- Tope inferior K85-UA Referencia 205166
- Dispositivo de guía M Referencia 208170
- Dispositivo de guía ML Referencia 204378
- Cargador APS M Referencia 095220
- Cargador de batería 18 M 99 LiHD Li-Ion, 18V Referencia 094503

## 9 Dibujo de explosión y lista de piezas de recambio

Encontrará la información correspondiente sobre las piezas de repuesto en nuestra página web:  
[www.mafell.com](http://www.mafell.com)